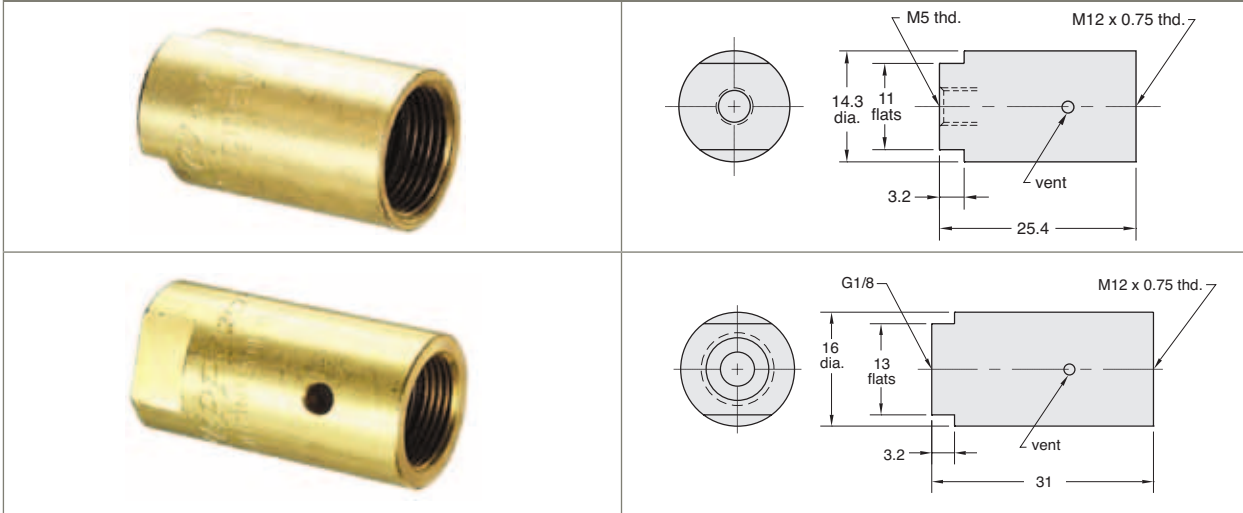


Single Acting Air Piloted Actuators



Bore Size: 9.5

Force Factor: 0.1

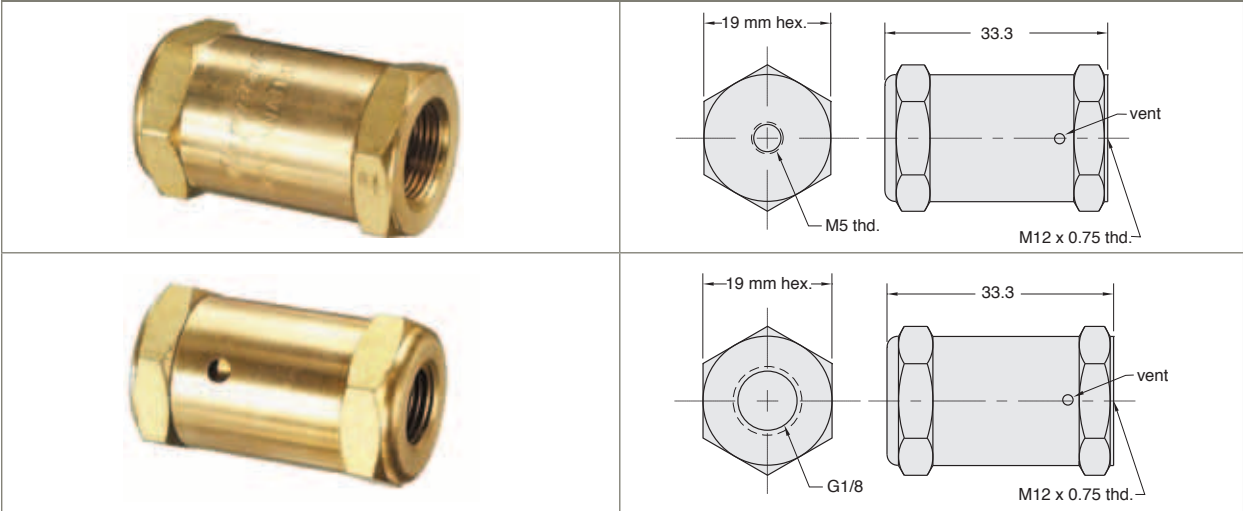
Part No.	Description
M-MPA-3	Single Acting, Spring Return Actuator, M5
M-MPA-3P	Single Acting, Spring Return Actuator, G1/8

Construction:
Body-brass; Springs- stainless steel; Seals - Buna-N rubber; Piston - Delrin®

Mounting:
M12 x 0.75 female thread to mount to Clippard miniature valves and components

Input Pressure
17 bar max.

Single Acting Air Piloted Actuators



Bore Size: 16

Force Factor: 0.3

Part No.	Description
M-MPA-5	Single Acting, Spring Return Actuator, M5
M-MPA-5P	Single Acting, Spring Return Actuator, G1/8

Construction:
Body-brass; Springs- stainless steel; Seals - Buna-N rubber; Piston - Delrin®

Mounting:
M12 x 0.75 female thread to mount to Clippard miniature valves and components

Input Pressure
17 bar max.

® Delrin® is a registered trademark of DuPont for its acetal resin