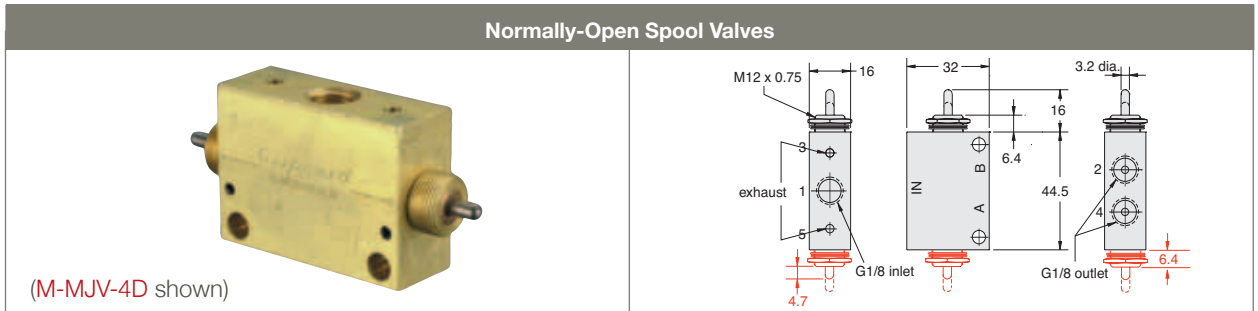


# 18 Directional Control Valves – M-MJV/M-MJVO G1/8 Stem & Cartridge Valves



Port(s)	Actuation	5/2
G1/8	Spring Return	M-MJV-4
G1/8	2-Position	M-MJV-4D

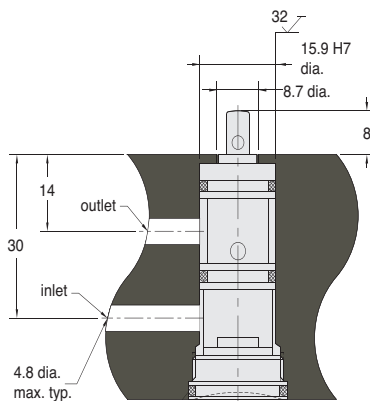
Air Flow: 225 L/min @ 3.5 bar; 400 L/min @ 7 bar

Mounting: two 5.1 mm dia. mounting holes in valve body

## options (suffix)

ENP Plating "-ENP" • FKM Seals "-V"

Clippard miniature Cartridge Valves offer the user flexibility in the application of 2/2 and 3/2 Normally-Open or Normally-Closed valves. They are used in Clippard heavy-duty limit switches and are suitable for pneumatic tools and manifolds or for any use where a valve needs to be built in.



**M-MJV-2C/3C,  
M-MJVO-2C/3C**

