



VA-034 Add-On Provides Back Pressure Latch Control



Size: 2.50" x 4.25" x 3.50"

Temperature: 32 to 140°F

Pressure Range: 40 to 150 psig

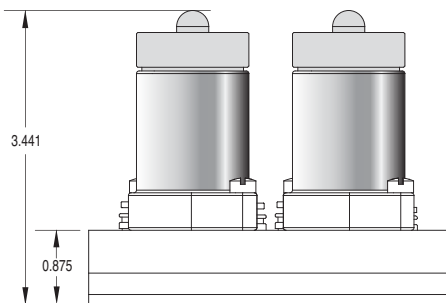
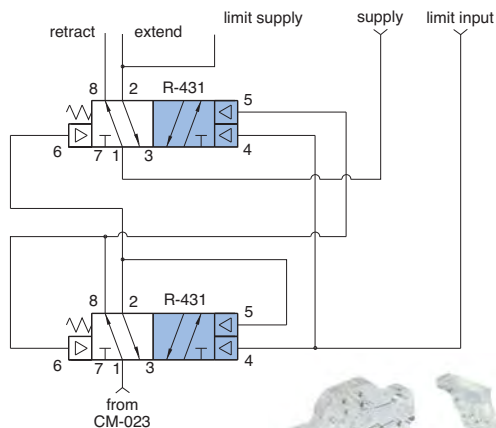
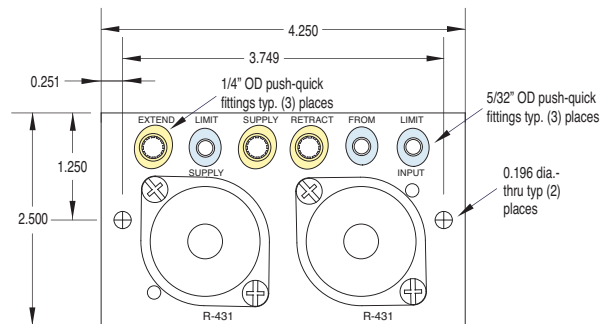
Use: The VA-034 module is for operation of a clamp or collet system where Two-Hand, No-Tie-Down input is required to be held continuously until the position desired (limit valve) is fully engaged. Two-Hand, No-Tie-Down circuit is re-engaged to release the clamp mechanism.

Operation: Output of the CM-023 or VA-023 goes to the VA-034 module and begins to extend cylinder. The two palm buttons on the Two-Hand, No-Tie-Down must remain actuated until the limit valve is actuated or unit will retract the cylinder. When the cylinder has depressed the limit valve, the unit locks the valve, and the cylinder continues to see pressure on the extend port. The unit is latched and buttons can now be released. A second input from the CM-023 or VA-023 (depressing both buttons) will now release the latch and retract the cylinder to the starting position as shown, and the circuit is ready for another operation.

Part No.	Description	
<u>VA-034</u>	Back Pressure Latch Control for VA-023	
Bill of Materials in Assembly		
Qty.	Part No.	Description
2	<u>R-431</u>	4-Way Twin Pilot Modular Valve
1	<u>CM-034-PO</u>	Circuit Manifold
10'	<u>URT1-0805-GNT</u>	1/4" O.D. Polyurethane Tubing, Green
5'	<u>URT1-0503-CLT</u>	5/32" O.D. Polyurethane Tubing, Clear

All components are also available for individual purchase

The CM-034 subplate is available with 1/8" NPT and #10-32 threads



SPEEDY CIRCUIT ASSEMBLY

You can have a faster, more dependable way to produce multiples of the same pneumatic circuit. This system enables speedy assembly while assuring accurate connections. By utilizing Clippard's unique manufacturing process, these clear acrylic subplates provide sealed passageways between valves without the need for gaskets, clamps, or piping. It's the fastest, most efficient circuit system available.