

# HIGH FLOW 2-WAY N.C. 15 MM VALVES



## Specifications

**Medium:** Air, Gas, or other Compatible Fluids

**Working Pressure:** 0 to 43 psig

**Maximum Flow Rate:** 120 l/min

**Orifice:** 0.118"

**Material:** Stainless steel core and springs, nylon body, FKM seals, and Nitrile gasket.

**Response Time:** 10 ms when energized; 12 ms when de-energized

**Voltage:** 12-volt DC or 24-volt DC

**Voltage Tolerance:** -5% to +10%

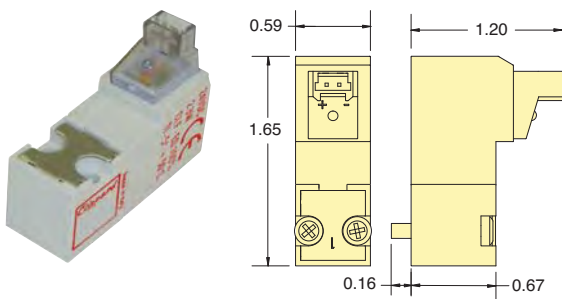
**Power Consumption:** 4.0 watts

**Coil Insulation Class:** F 311°F

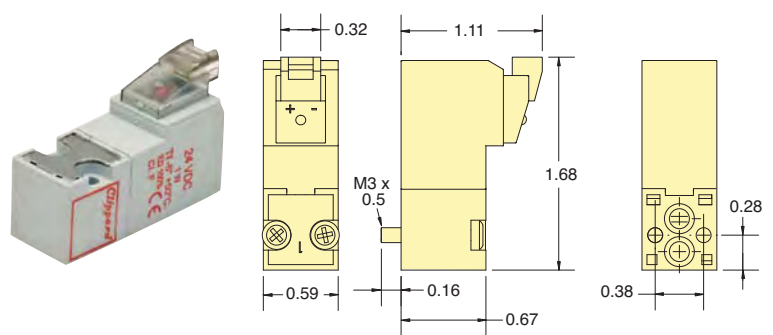
**Temperature Range:** 23 to 122°F



### 90° Connector with LED

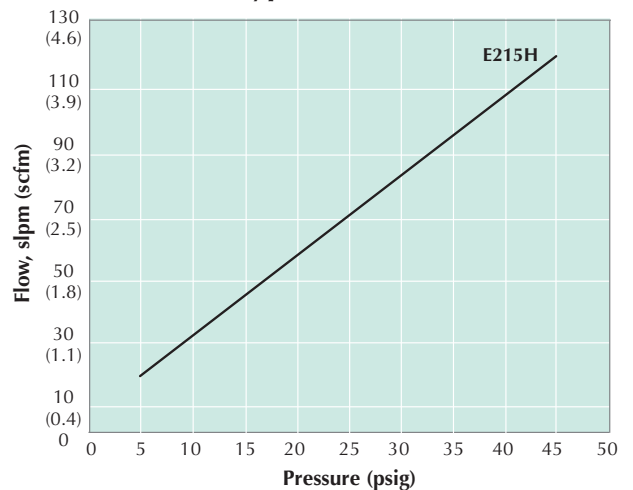


### In-Line Connector with LED

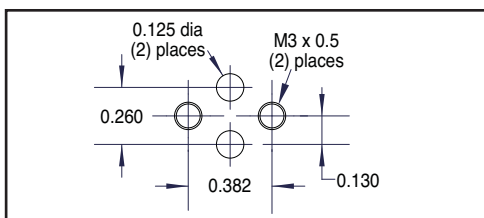


Part No.	Connector	Voltage
<a href="#">E215H-3L012</a>	90° Connector	12 VDC
<a href="#">E215H-3L024</a>	90° Connector with LED	24 VDC
<a href="#">E215H-3C012</a>	In-Line Connector	12 VDC
<a href="#">E215H-3C024</a>	In-Line Connector with LED	24 VDC

### Typical Air Flow

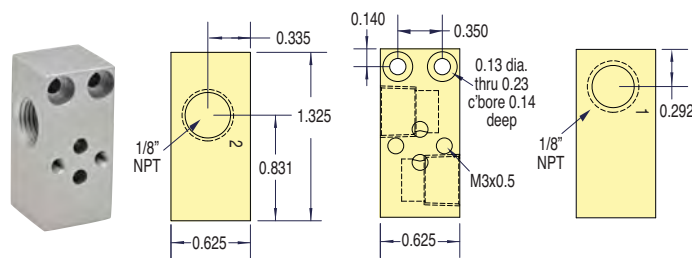


### Mounting Interface



### 15 mm High Flow Single-Station Manifold

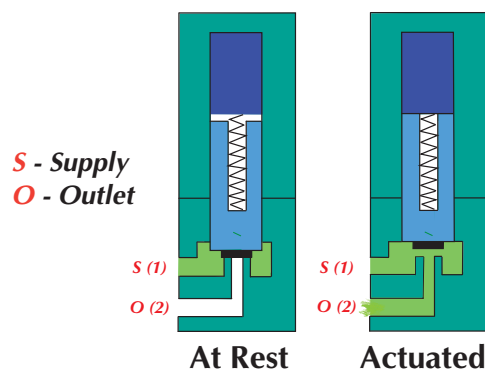
Spare hardware and closing plates available.



**Part No.**  
[E15HM-01](#) 15 mm Single-Station Manifold

Metric line available. Visit [www.clippard.com](http://www.clippard.com)

### Functional Schematics

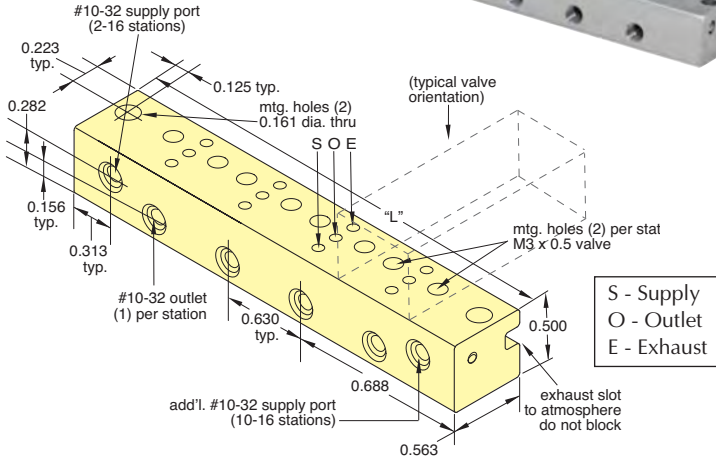
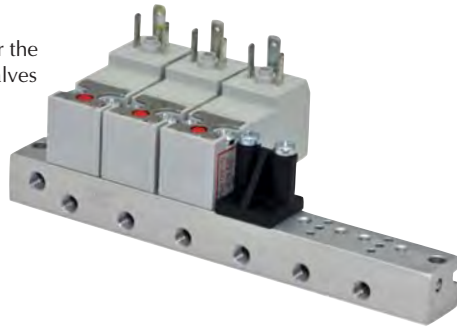




# 15 MM VALVE ACCESSORIES

## Sub-Miniature Manifolds

Small, compact manifolds offer the efficient grouping of 15 mm valves along with fast installation. Each manifold features a common inlet, individually-ported outlets, and exhaust to atmosphere.



Stations	Supply Ports	Part No.	Length "L"
2	1	<a href="#">E15SM-2</a>	2.01
4	1	<a href="#">E15SM-4</a>	3.27
6	1	<a href="#">E15SM-6</a>	4.53
8	1	<a href="#">E15SM-8</a>	5.79
10	2	<a href="#">E15SM-10</a>	7.05
12	2	<a href="#">E15SM-12</a>	8.31
14	2	<a href="#">E15SM-14</a>	9.57
16	2	<a href="#">E15SM-16</a>	10.82



## Connectors

Wire Connector must be ordered separately. 24 AWG. Stranding 7/32.

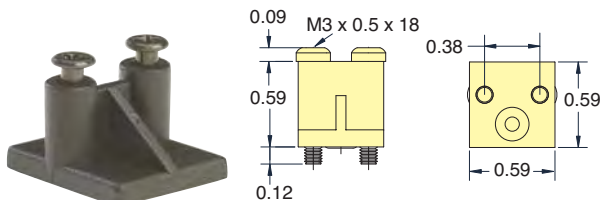
### Part No.

- [C2A-RB300](#) Connector with Cable, 11.8"
- [C2A-RB500](#) Connector with Cable, 19.69"
- [C2A-RB1000](#) Connector with Cable, 39.37"

Molex terminal insert #050013-8000, #28139 plug and 24 AWG wire.

## Cover Plate

Manifold Cover Plate includes plate, gasket and two screws.

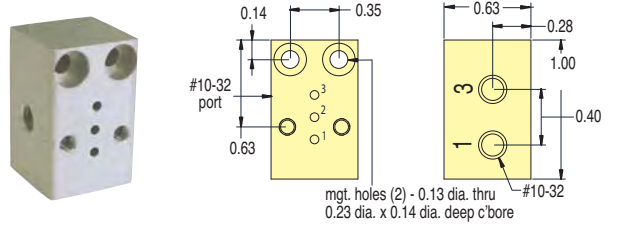


### Part No.

[E15M-CP](#) 15 mm Cover Plate

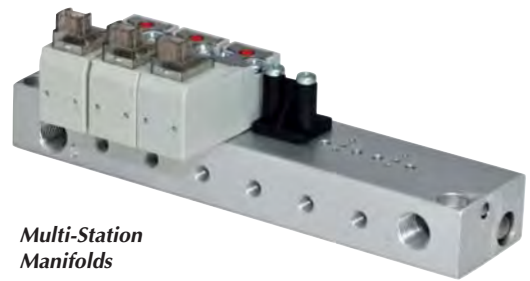
## Standard Manifolds

Standard manifolds are available for one to 16 valves with ported exhaust. Spare hardware and closing plates also available.

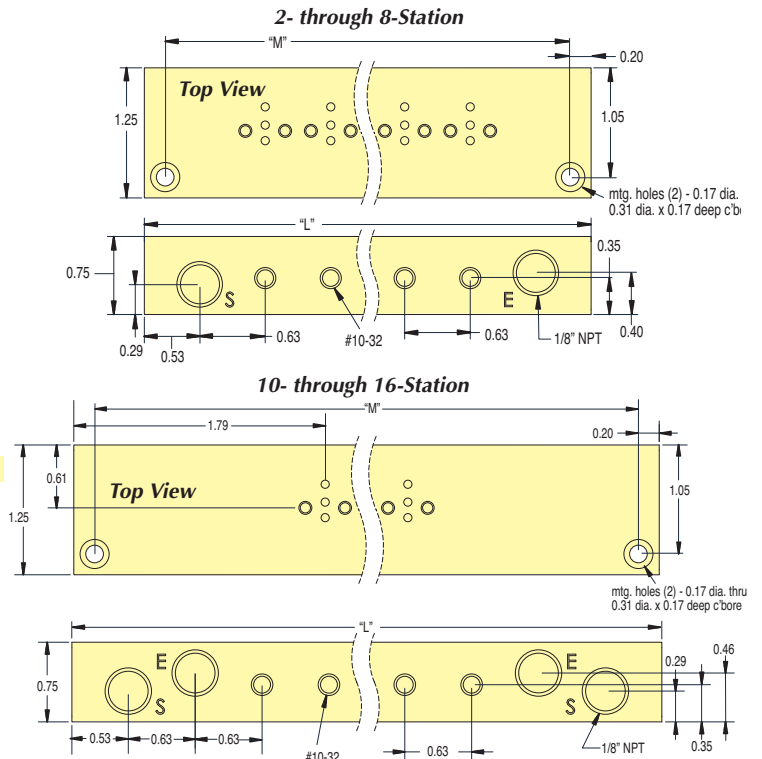


### Part No.

[E15M-01](#) Single-Station Manifold



## Multi-Station Manifolds



Stations	Part No.	Length "L"	Length "M"
2	<a href="#">E15M-02</a>	2.95	2.55
4	<a href="#">E15M-04</a>	4.21	3.81
6	<a href="#">E15M-06</a>	5.47	5.07
8	<a href="#">E15M-08</a>	6.73	6.33
10	<a href="#">E15M-10</a>	9.25	8.85
12	<a href="#">E15M-12</a>	10.51	10.1
14	<a href="#">E15M-14</a>	11.77	11.4
16	<a href="#">E15M-16</a>	13.03	12.6



# Maximatic®



## Maximatic Solenoid Valves

Clippard's Maximatic Solenoid valves are available in 2-way, 3-way and 4-way configurations in port sizes from #10-32 to 1/2" NPT. Select either a direct-acting poppet or solenoid-controlled pilot operated balanced spool design. Spool valves are body ported but can be bolted to a parallel circuit manifold.

These electronic valves offer high flow in a small package, and are constructed of aluminum, stainless steel and thermoplastic materials. The 4-way valves are also available in 3 position versions with either pressure center, closed center or exhaust center spool options.

**Materials:** Aluminum, Stainless Steel, Thermoplastic

**Maximum Pressure:** 0 to 115 psig (direct-acting only); 30 to 125 on MME-41 Series, 20 to 125 psig on all others (spool valves)

**Response Time:** Less than 20 milliseconds

**Mounting:** Manifold standard. Actuator (1/4" only) or NAMUR (3/8" NPT only) available.

**Manual Override:** Locking or non-locking

**Electrical Connection:** DIN terminal with LED indicator, or 18" Wire Leads

**DIN Connector:** Plug-in electrical connector with LED. MME-31/41 models are DIN Industrial Form "C" (9.4 mm centers) 3 mm screw. All others are DIN 43650 Form "B" 3 mm screw. LED will not "light" if polarity is reversed.

**Wire Leads:** Not polarity sensitive

**Temperature Range:** 32 to 150°F

**Seals:** Nitrile

Conforms to ISO 19973-2 test standards.

3- & 4-Way Valves

Port	Cv	Flow Rate	
		@ 50 psig	@ 100 psig
#10-32	0.58	16 scfm	27 scfm
1/8" NPT	0.67	18 scfm	31 scfm
1/4" NPT	0.89	26 scfm	49 scfm
3/8" NPT	1.68	51 scfm	93 scfm
1/2" NPT	2.79	91 scfm	171 scfm

Metric line available. Visit [www.clippard.com](http://www.clippard.com)