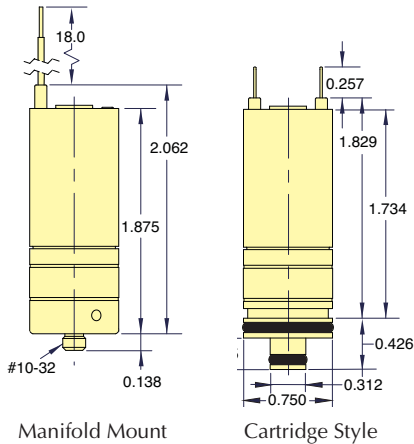




# NEW! 2-WAY ELECTRONIC VALVES, MANIFOLD & CARTRIDGE MOUNT



		Pressure		Voltage		Part No.	
		Vac. to 100 psig		Vac. to 50 psig		Manifold Mount	Cartridge Mount
	 Spade Terminals	•		•		<a href="#">DT-2M-12</a>	<a href="#">DT-2C-12</a>
		•		•	•	<a href="#">DT-2M-24</a>	<a href="#">DT-2C-24</a>
	 Wire Leads Top (Axial)	•		•		<a href="#">DV-2M-12</a>	<a href="#">DV-2C-12</a>
		•		•	•	<a href="#">DV-2M-24</a>	<a href="#">DV-2C-24</a>
			•		•	<a href="#">DV-2M-12-L</a>	<a href="#">DV-2C-12-L</a>
			•		•	<a href="#">DV-2M-24-L</a>	<a href="#">DV-2C-24-L</a>

**Medium:** Air or Compatible Gases (40 micron filter)

**Air Flow:** Standard: 100 l/min @ 100 psig;  
 "-L" Option: 100 l/min @ 50 psig

**Pressure Range:** Standard: Vac. to 100 psig  
 "-L" Option: Vac. to 50 psig

**Power Consumption:** 1.9 watts

**Ports:** #10-32 (on manifold mount valve)

**Temperature Range @ Nominal Voltage:** 32 to 130°F

**Response:** 10 to 15 milliseconds\*

**Electrical Connection:** Spade Terminals or Wire Leads

**Operating Range:** 95 to 125% of rated voltage

**Voltage:** 12 or 24 VDC

**Mounting:** Manifold or Cartridge Style (inserts into a 3/4" bore)

**Wetted Materials:** PPS, Stainless Steel\*\*\*

**Seal Material:** Nitrile standard. Silicone, FKM and EPDM optional\*\*

\* May vary depending on media. Consult factory for special requirements

\*\* Other materials available for special design/project requirements. Consult factory.

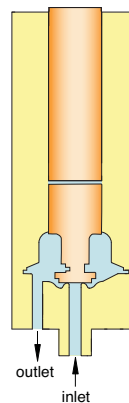


Valve Series	Standard	Non-Standard
Standard	(blank)	
<b>Options (add to end of Part No.)</b>		
FKM Seals	-V	
EPDM Seals		-E
Silicone Seals		-S

Example Part No:  
[DV-2M-12-V](#)

See Page 202 for mounting options

Pressure Range	Suffix	Air Flow
28" Hg Vac. to 100 psig	(blank)	100 l/min @ 100 psig
28" Hg Vac. to 50 psig	-L	100 l/min @ 50 psig



View additional information and useful videos

