



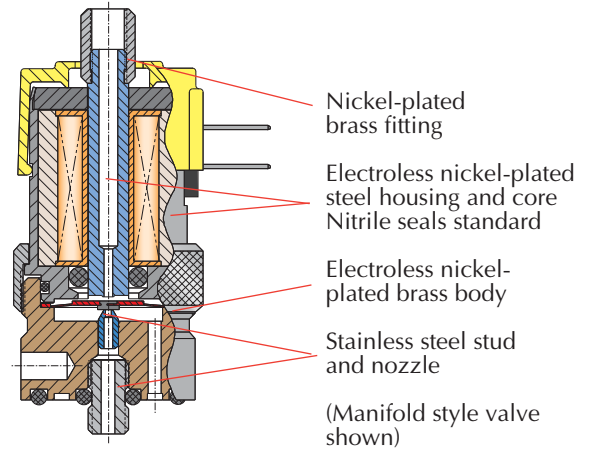
MOUSE VALVE SERIES DESCRIPTIONS



Standard Series

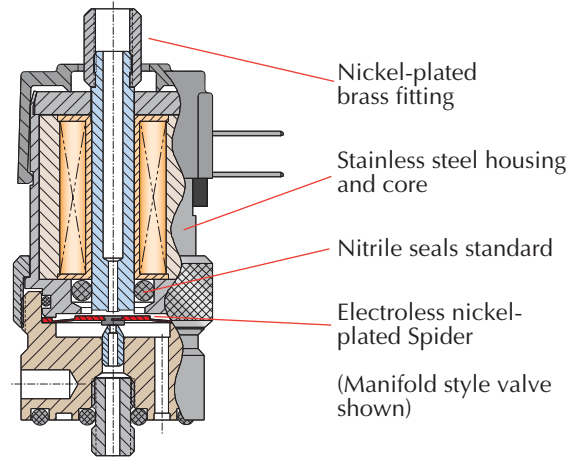
2- and 3-way manifold and in-line mounting. Normally-Closed and fully-ported versions.

Higher Flow 2-Way Version. The standard series also includes an option that provides higher flow for 2-way, Normally-Closed applications. Although manifold mounting is accomplished in the same fashion, the inlet is the annular port, and the outlet becomes the center port, through the convenient stud mount of the valve.



Corrosion-Resistant "CR-" Series

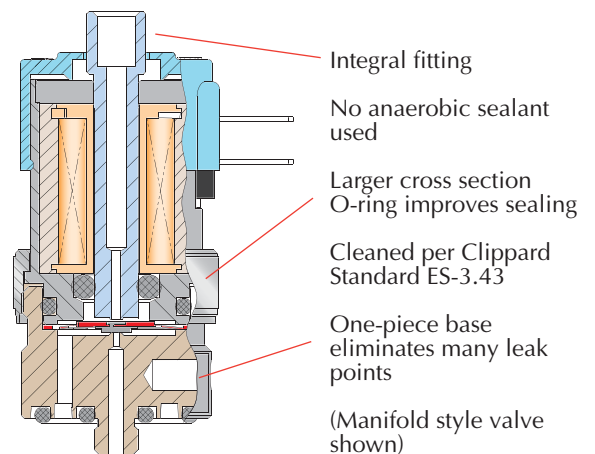
Clippard's Corrosion-Resistant Series (CR-) incorporates materials and construction that provides enhanced protection for valves used with mildly corrosive media such as moisture in air or gases. Where stainless steel is not possible, plating is incorporated to add life to wear components. A nickel-plated brass valve body is standard, but stainless steel may be substituted.



Analytical "A-" Series

Clippard's Electronic Analytical Valve (A-) series combines the proven features of the "Mouse" series with the specific needs of the analytical industry, and for applications where cleanliness is especially important. Special materials, manufacturing and assembly processes make this valve perfectly suited for applications where internal cleanliness, bubble-tight operation, and long life are imperative.

For more information, visit clippard.com/analytical

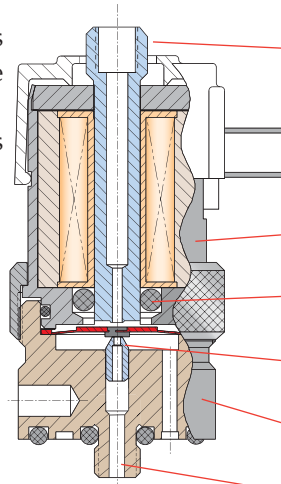




Oxygen Clean "O-" Series

All EV, ET, EC and EW series electronic valves with the "O-" part number option are available manufactured and assembled for use in Oxygen-enriched environments for applications that are extremely sensitive to contamination.

- Valves are ultrasonically cleaned, assembled, inspected and tested in an enclosed controlled area with a state-of-the-art positive pressure HEPA filtration system
- Both organic and inorganic contaminants such as particulate matter and Hydrocarbon oils are removed
- No organic sealants, adhesives or lubricants are used in the manufacturing process
- Component parts are lubricated with Oxygen-compatible PFPE (perfluoropolyether) grease, only as needed for assembly
- Individual testing and inspection is accomplished utilizing compressed Nitrogen and ultra-violet light



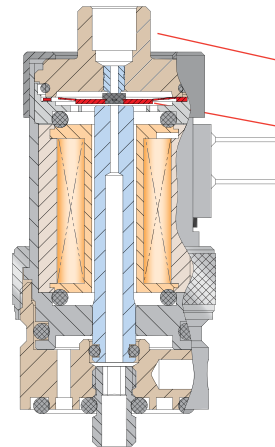
- Integral fitting
No thread sealant
- All wetted parts
cleaned per Clippard
Standard ES-3.41
- Electroless nickel-plated
steel housing and core
- FKM seals
- Stainless steel
nozzle
- Electroless nickel-
plated brass body
- Integral stud
No thread sealant
- PFPE lubricant

(Manifold style valve
shown)

For more information
on the process, visit
www.clippard.com/oxygen

ECN, EVN, ETN Mouse Valves

Normally-Open, manifold mount to allow Normally-Closed and Normally-Open valves on the same manifold. See [page 187](#) for ordering information.



- Integral fitting
- Armature "spider"
above coil
- Mounts side-
by-side with
Normally-Closed
version
- (Manifold style
valve shown)

Custom EV Valves

Don't see it here? Call us! Many people shy away from asking for customized products and fear increased price and lead times. Clippard's electronic valve production consist of nearly 50% customized product. From the simple tweaks to complex challenges, Clippard is your partner for finding the right solution to your needs.

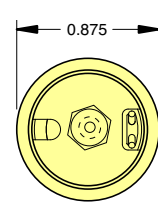
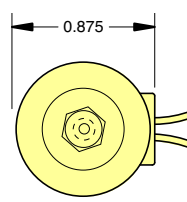
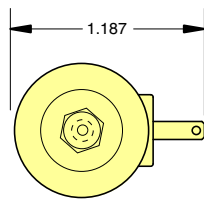
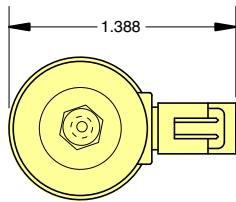


Metric line available. Visit www.clippard.com

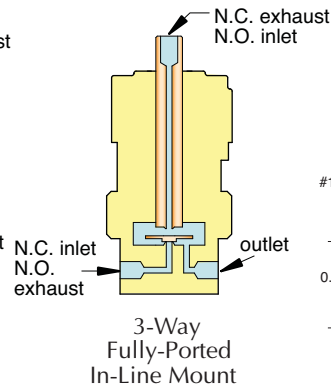
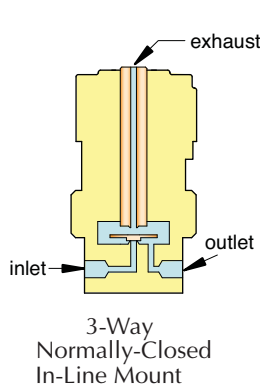
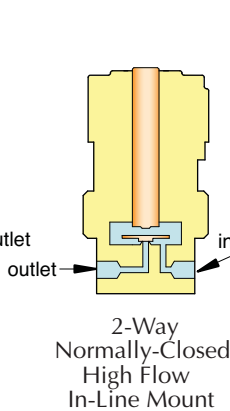
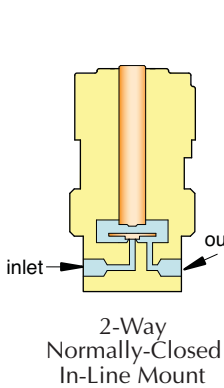


MOUNTING OPTIONS & FLOW DIAGRAMS

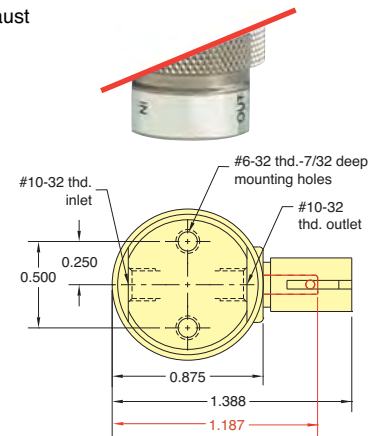
Electrical Connection Options



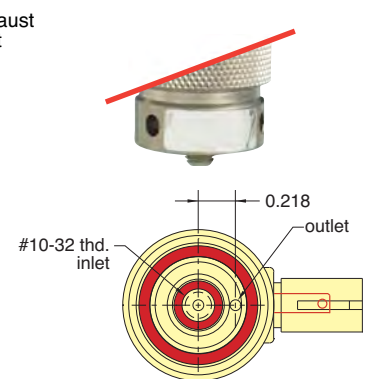
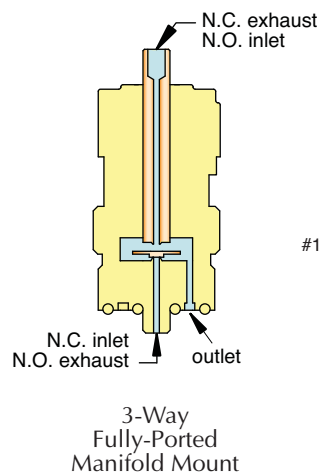
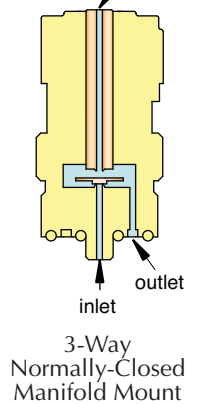
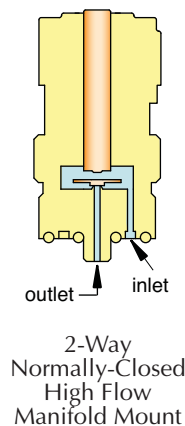
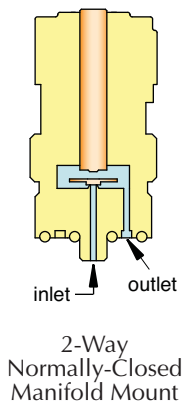
In-Line Mount



Mounting Options

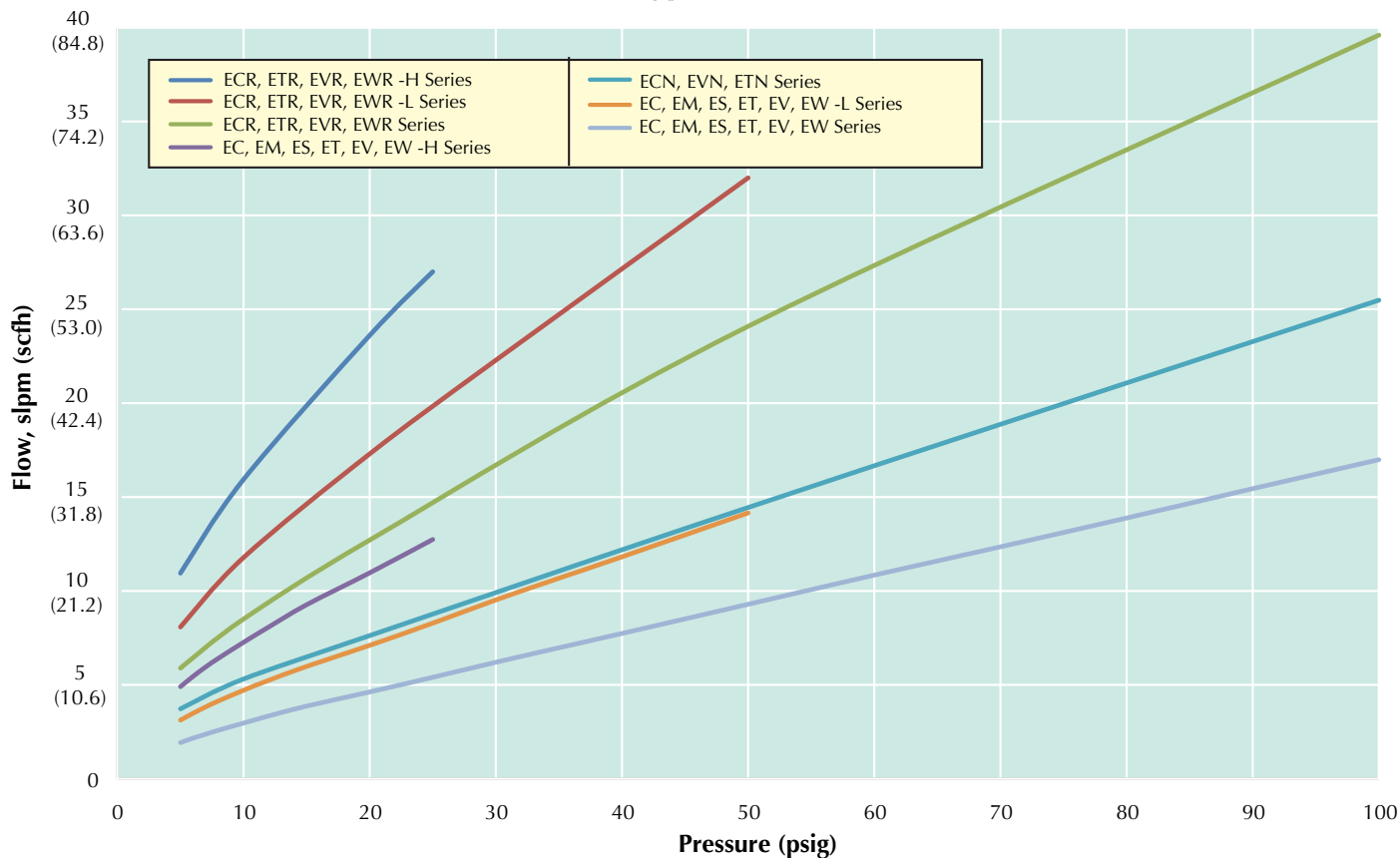


Manifold Mount





Typical Air Flow



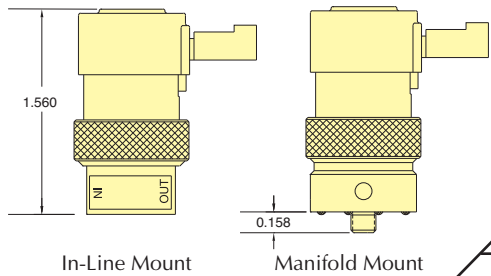
Electrical Specifications

| Series | Nominal | | | Power (watts) | Working Range (cont. duty) |
|--|---------|----------------|-------------------|---------------|--------------------------------|
| | Voltage | Current (amps) | Resistance (ohms) | | |
| - Standard - Oxygen Clean - Analytical | 12 | 0.055 | 218 | 0.67 | 90 to 150% of rated voltage |
| | 24 | 0.028 | 864 | | |
| - Corrosion-Resistant | 12 | 0.098 | 122 | 1.2 | 90 to 110% of rated voltage |
| | 24 | 0.049 | 486 | | |
| - EM Series - ES Series | 12 | 0.083 | 144 | 1.0 | 90 to 120% of rated voltage |
| | 24 | 0.042 | 576 | | |

Metric line available. Visit www.clippard.com



2-WAY NORMALLY-CLOSED VALVES, IN-LINE & MANIFOLD MOUNT



| In-Line Mount | Manifold Mount | Pressure Range | | Voltage | | Part No. | |
|---------------|----------------|------------------|-----------------|-----------------|--------|-----------------------------|------------------------------|
| | | Vac. to 105 psig | Vac. to 50 psig | Vac. to 25 psig | 12 VDC | 24 VDC | In-Line Mount |
| | | • | • | • | • | * EC-2-12 | * EC-2M-12 |
| | | • | • | • | • | * EC-2-24 | * EC-2M-24 |
| | | • | • | • | • | * EC-2-12-L | * EC-2M-12-L |
| | | • | • | • | • | * EC-2-24-L | * EC-2M-24-L |
| | | • | • | • | • | * EC-2-12-H | * EC-2M-12-H |
| | | • | • | • | • | * ET-2-12 | * ET-2M-12 |
| | | • | • | • | • | * ET-2-24 | * ET-2M-24 |
| | | • | • | • | • | * ET-2-12-L | * ET-2M-12-L |
| | | • | • | • | • | * ET-2-24-L | * ET-2M-24-L |
| | | • | • | • | • | * ET-2-12-H | * ET-2M-12-H |
| | | • | • | • | • | * EV-2-12 | * EV-2M-12 |
| | | • | • | • | • | * EV-2-24 | * EV-2M-24 |
| | | • | • | • | • | * EV-2-12-L | * EV-2M-12-L |
| | | • | • | • | • | * EV-2-24-L | * EV-2M-24-L |
| | | • | • | • | • | * EV-2-12-H | * EV-2M-12-H |
| | | • | • | • | • | * EW-2-12 | * EW-2M-12 |
| | | • | • | • | • | * EW-2-24 | * EW-2M-24 |
| | | • | • | • | • | * EW-2-12-L | * EW-2M-12-L |
| | | • | • | • | • | * EW-2-24-L | * EW-2M-24-L |
| | | • | • | • | • | * EW-2-12-H | * EW-2M-12-H |

- Medium:** Clean, dry air (40 micron filter)
- Power Consumption:** 0.67 watt (CR Series: 1.2 watt)
- Temperature Range:** 32 to 180°F; CR Series: 32 to 150°F
- Response:** 5 to 10 milliseconds (nominal)
- Operating Range:** 90 to 150% of rated voltage (CR Series: ±10%)
- Ports:** #10-32



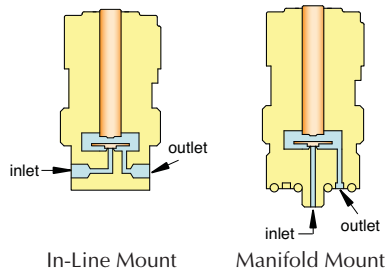
| Valve Series (*) | Standard | Non-Standard |
|--|----------|---|
| Standard | (blank) | |
| Oxygen Clean | O- | See Pages 179 & 180 for further information |
| Analytical Series** | A- | |
| Corrosion-Resistant (not std. on "EW") | CR- | |
| Options (add to end of Part No.) | | |
| FKM Seals | -V | |
| EPR Seals | | -E |
| Silicone Seals | | -S |
| Diode | | -D |

Example Part No's:
ET-2M-12-V
CR-ET-2-12

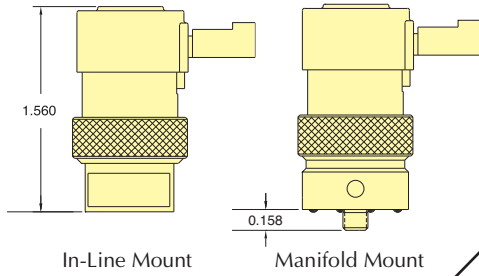
See Page 181 for mounting options

** Available on manifold mount valves only

| Pressure Range | Suffix | Air Flow |
|-------------------------|---------|---------------------|
| 28" Hg Vac. to 105 psig | (blank) | 0.6 scfm @ 100 psig |
| 28" Hg Vac. to 50 psig | -L | 0.5 scfm @ 50 psig |
| 28" Hg Vac. to 25 psig | -H | 0.45 scfm @ 25 psig |



2-WAY NORMALLY-CLOSED HIGH FLOW VALVES, IN-LINE & MANIFOLD MOUNT



Part No.

| | | Pressure Range | | | Voltage | | In-Line Mount | Manifold Mount |
|------------------------------|--|------------------|-----------------|-----------------|---------|------------------------------|-------------------------------|-------------------------------|
| | | Vac. to 105 psig | Vac. to 50 psig | Vac. to 25 psig | 12 VDC | 24 VDC | | |
| 0.025" Pin Connector | | • | | | • | | * ECR-2-12 | * ECR-2M-12 |
| | | • | | | • | | * ECR-2-24 | * ECR-2M-24 |
| | | | • | | • | | * ECR-2-12-L | * ECR-2M-12-L |
| | | | • | | • | | * ECR-2-24-L | * ECR-2M-24-L |
| | | | | • | • | | * ECR-2-12-H | * ECR-2M-12-H |
| | | | | • | • | * ECR-2-24-H | * ECR-2M-24-H | |
| Spade Terminals | | • | | | • | | * ETR-2-12 | * ETR-2M-12 |
| | | • | | | • | | * ETR-2-24 | * ETR-2M-24 |
| | | | • | | • | | * ETR-2-12-L | * ETR-2M-12-L |
| | | | • | | • | | * ETR-2-24-L | * ETR-2M-24-L |
| | | | | • | • | | * ETR-2-12-H | * ETR-2M-12-H |
| | | | | • | • | * ETR-2-24-H | * ETR-2M-24-H | |
| Wire Leads Side (Radial) | | • | | | • | | * EVR-2-12 | * EVR-2M-12 |
| | | • | | | • | | * EVR-2-24 | * EVR-2M-24 |
| | | | • | | • | | * EVR-2-12-L | * EVR-2M-12-L |
| | | | • | | • | | * EVR-2-24-L | * EVR-2M-24-L |
| | | | | • | • | | * EVR-2-12-H | * EVR-2M-12-H |
| | | | | • | • | * EVR-2-24-H | * EVR-2M-24-H | |
| Wire Leads Top (Axial) | | • | | | • | | * EWR-2-12 | * EWR-2M-12 |
| | | • | | | • | | * EWR-2-24 | * EWR-2M-24 |
| | | | • | | • | | * EWR-2-12-L | * EWR-2M-12-L |
| | | | • | | • | | * EWR-2-24-L | * EWR-2M-24-L |
| | | | | • | • | | * EWR-2-12-H | * EWR-2M-12-H |
| | | | | • | • | * EWR-2-24-H | * EWR-2M-24-H | |

Medium: Clean, dry air (40 micron filter)

Power Consumption: 1.2 watt

Temperature Range: 32 to 150°F

Response: 10 milliseconds (nominal)

Operating Range: ±10% of rated voltage

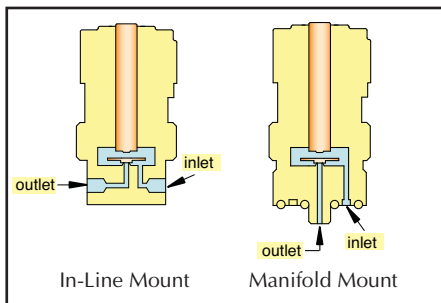
Ports: #10-32



| Valve Series (*) | Standard | Non-Standard |
|---|---------------|---|
| Standard Analytical Series** | (blank) A- | See Pages 179 & 180 for further information |
| Options (add to end of Part No.) | | |
| FKM Seals | -V | |
| EPR Seals | | -E |
| Silicone Seals | | -S |
| Diode | | -D |

See Page 181 for mounting options

** Available on manifold mount valves only

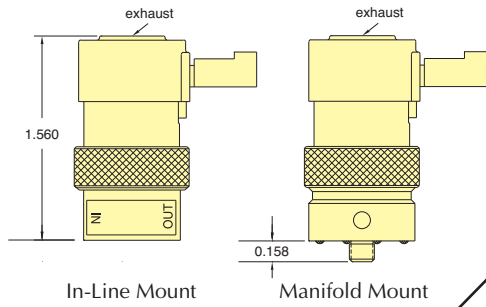


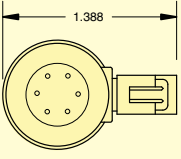

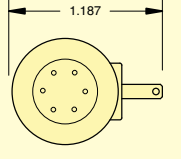

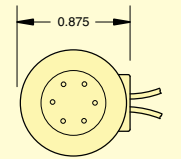

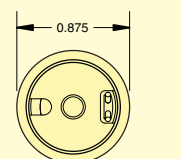

| Pressure Range | Suffix | Air Flow |
|-------------------------|---------|---------------------|
| 28" Hg Vac. to 100 psig | (blank) | 1.4 scfm @ 100 psig |
| 28" Hg Vac. to 50 psig | -L | 1.1 scfm @ 50 psig |
| 28" Hg Vac. to 25 psig | -H | 0.95 scfm @ 25 psig |

Metric line available. Visit www.clippard.com



3-WAY NORMALLY-CLOSED VALVES, IN-LINE & MANIFOLD



| | | Pressure Range | | Voltage | | Part No. | |
|---|---|------------------|---|-----------------------------|------------------------------|-----------------------------|------------------------------|
| | | Vac. to 105 psig | | Vac. to 50 psig | | In-Line Mount | Manifold Mount |
| | | Vac. to 25 psig | | 12 VDC | 24 VDC | | |
|  0.025" Pin Connector |  | • | • | • | • | * EC-3-12 | * EC-3M-12 |
| | | • | • | • | • | * EC-3-24 | * EC-3M-24 |
| | | • | • | • | • | * EC-3-12-L | * EC-3M-12-L |
| | | • | • | • | • | * EC-3-24-L | * EC-3M-24-L |
| | | • | • | • | • | * EC-3-12-H | * EC-3M-12-H |
| • | • | • | • | * EC-3-24-H | * EC-3M-24-H | | |
|  Spade Terminals |  | • | • | • | • | * ET-3-12 | * ET-3M-12 |
| | | • | • | • | • | * ET-3-24 | * ET-3M-24 |
| | | • | • | • | • | * ET-3-12-L | * ET-3M-12-L |
| | | • | • | • | • | * ET-3-24-L | * ET-3M-24-L |
| | | • | • | • | • | * ET-3-12-H | * ET-3M-12-H |
| • | • | • | • | * ET-3-24-H | * ET-3M-24-H | | |
|  Wire Leads Side (Radial) |  | • | • | • | • | * EV-3-12 | * EV-3M-12 |
| | | • | • | • | • | * EV-3-24 | * EV-3M-24 |
| | | • | • | • | • | * EV-3-12-L | * EV-3M-12-L |
| | | • | • | • | • | * EV-3-24-L | * EV-3M-24-L |
| | | • | • | • | • | * EV-3-12-H | * EV-3M-12-H |
| • | • | • | • | * EV-3-24-H | * EV-3M-24-H | | |
|  Wire Leads Top (Axial) |  | • | • | • | • | * EW-3-12 | * EW-3M-12 |
| | | • | • | • | • | * EW-3-24 | * EW-3M-24 |
| | | • | • | • | • | * EW-3-12-L | * EW-3M-12-L |
| | | • | • | • | • | * EW-3-24-L | * EW-3M-24-L |
| | | • | • | • | • | * EW-3-12-H | * EW-3M-12-H |
| • | • | • | • | * EW-3-24-H | * EW-3M-24-H | | |

- Medium:** Clean, dry air (40 micron filter)
- Power Consumption:** 0.67 watt (CR Series: 1.2 watt)
- Temperature Range:** 32 to 180°F, CR Series: 32 to 150°F
- Response:** 5 to 10 milliseconds (nominal)
- Operating Range:** 90 to 150% of rated voltage (CR Series: ±10%)
- Ports:** #10-32

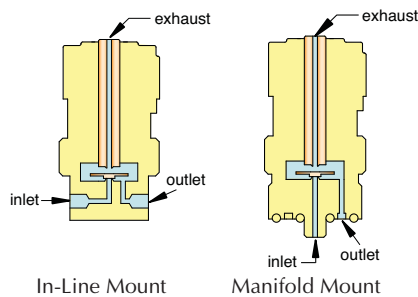


| Valve Series (*) | Standard | Non-Standard |
|--|----------|---|
| Standard | (blank) | |
| Oxygen Clean Analytical Series** | O- | See Pages 179 & 180 for further information |
| Corrosion-Resistant (not std. on "EW") | A- | |
| | CR- | |
| Options (add to end of Part No.) | | |
| FKM Seals | -V | |
| EPR Seals | | -E |
| Silicone Seals | | -S |
| Diode | | -D |

Example Part No's:
ET-3-12-S
O-EW-3-24

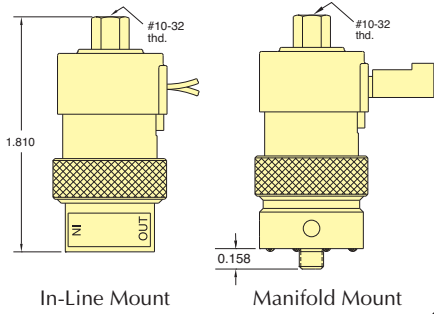
See Page 181 for mounting options

** Available on manifold mount valves only



| Pressure Range | Suffix | Air Flow |
|-------------------------|---------|---------------------|
| 28" Hg Vac. to 105 psig | (blank) | 0.6 scfm @ 100 psig |
| 28" Hg Vac. to 50 psig | -L | 0.5 scfm @ 50 psig |
| 28" Hg Vac. to 25 psig | -H | 0.45 scfm @ 25 psig |

3-WAY FULLY-PORTED VALVES, IN-LINE & MANIFOLD



Part No.

| | | Pressure Range | | Voltage | | In-Line Mount | Manifold Mount |
|------------------------------|---|------------------|-----------------|-----------------|--------|---------------|----------------|
| | | Vac. to 105 psig | Vac. to 50 psig | Vac. to 25 psig | 12 VDC | 24 VDC | |
| 0.025" Pin Connector | • | • | • | • | • | *ECO-3-12 | *ECO-3M-12 |
| | • | • | • | • | • | *ECO-3-24 | *ECO-3M-24 |
| | • | • | • | • | • | *ECO-3-12-L | *ECO-3M-12-L |
| | • | • | • | • | • | *ECO-3-24-L | *ECO-3M-24-L |
| | • | • | • | • | • | *ECO-3-12-H | *ECO-3M-12-H |
| | • | • | • | • | • | *ECO-3-24-H | *ECO-3M-24-H |
| Spade Terminals | • | • | • | • | • | *ETO-3-12 | *ETO-3M-12 |
| | • | • | • | • | • | *ETO-3-24 | *ETO-3M-24 |
| | • | • | • | • | • | *ETO-3-12-L | *ETO-3M-12-L |
| | • | • | • | • | • | *ETO-3-24-L | *ETO-3M-24-L |
| | • | • | • | • | • | *ETO-3-12-H | *ETO-3M-12-H |
| | • | • | • | • | • | *ETO-3-24-H | *ETO-3M-24-H |
| Wire Leads Side (Radial) | • | • | • | • | • | *EVO-3-12 | *EVO-3M-12 |
| | • | • | • | • | • | *EVO-3-24 | *EVO-3M-24 |
| | • | • | • | • | • | *EVO-3-12-L | *EVO-3M-12-L |
| | • | • | • | • | • | *EVO-3-24-L | *EVO-3M-24-L |
| | • | • | • | • | • | *EVO-3-12-H | *EVO-3M-12-H |
| | • | • | • | • | • | *EVO-3-24-H | *EVO-3M-24-H |
| Wire Leads Top (Axial) | • | • | • | • | • | *EWO-3-12 | *EWO-3M-12 |
| | • | • | • | • | • | *EWO-3-24 | *EWO-3M-24 |
| | • | • | • | • | • | *EWO-3-12-L | *EWO-3M-12-L |
| | • | • | • | • | • | *EWO-3-24-L | *EWO-3M-24-L |
| | • | • | • | • | • | *EWO-3-12-H | *EWO-3M-12-H |
| | • | • | • | • | • | *EWO-3-24-H | *EWO-3M-24-H |

Medium: Clean, dry air (40 micron filter)

Power Consumption: 0.67 watt (CR Series: 1.2 watt)

Temperature Range: 32 to 180°F, CR Series: 32 to 150°F

Response: 5 to 10 milliseconds (nominal)

Operating Range: 90 to 150% of rated voltage (CR Series: ±10%)

Ports: #10-32

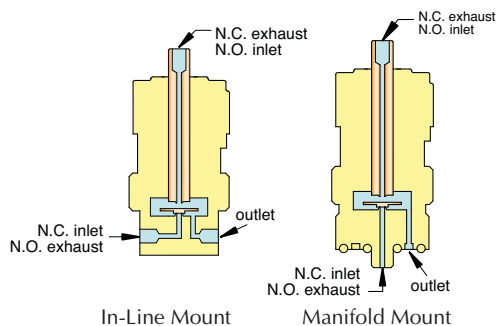


| Valve Series (*) | Standard | Non-Standard |
|---|----------|---|
| Standard | (blank) | |
| Oxygen Clean | O- | See Pages 179 & 180 for further information |
| Analytical Series** | A- | |
| Corrosion-Resistant (not std. on "EWO") | CR- | |
| Options (add to end of Part No.) | | |
| FKM Seals | -V | |
| EPR Seals | | -E |
| Silicone Seals | | -S |
| Diode | | -D |

Example Part No's:
ETO-3M-24-D
CR-EVO-3-12

See Page 181 for mounting options

** Available on manifold mount valves only

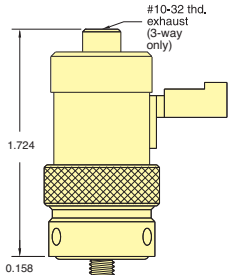



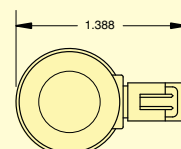
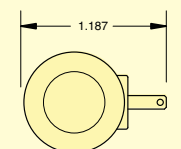
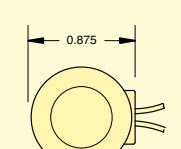
| Pressure Range | Suffix | Air Flow |
|-------------------------|---------|---------------------|
| 28" Hg Vac. to 105 psig | (blank) | 0.6 scfm @ 100 psig |
| 28" Hg Vac. to 50 psig | -L | 0.5 scfm @ 50 psig |
| 28" Hg Vac. to 25 psig | -H | 0.45 scfm @ 25 psig |

Metric line available. Visit www.clippard.com



2-WAY & 3-WAY NORMALLY-OPEN VALVES, MANIFOLD

| | | Voltage | | Part No. | |
|--|---|---------|---------------------------|---------------------------|-------|
| | | 12 VDC | 24 VDC | 2-Way | 3-Way |
|  0.025" Pin Connector | • | | ECN-2M-12 | ECN-3M-12 | |
| | | • | ECN-2M-24 | ECN-3M-24 | |
|  Spade Terminals | • | | ETN-2M-12 | ETN-3M-12 | |
| | | • | ETN-2M-24 | ETN-3M-24 | |
|  Wire Leads Side (Radial) | • | | EVN-2M-12 | EVN-3M-12 | |
| | | • | EVN-2M-24 | EVN-3M-24 | |

Medium: Clean, dry air (40 micron filter)

Power Consumption: 0.67 watt

Temperature Range: 32 to 180°F

Response: 5 to 10 milliseconds (nominal)

Operating Range: 90 to 150% of rated voltage

Voltage: 12 VDC or 24 VDC. Other voltages available upon request.

Ports: #10-32

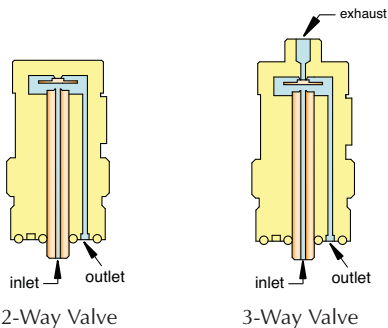


| Valve Series (*) | Standard | Non-Standard |
|---|----------|--------------|
| Standard | (blank) | |
| Options (add to end of Part No.) | | |
| FKM Seals | -V | |
| EPR Seals | | -E |
| Silicone Seals | | -S |
| Diode | | -D |

Example Part No's:
[EVN-2M-12-V](#)
[ETN-3M-24](#)

See Page 181 for mounting options

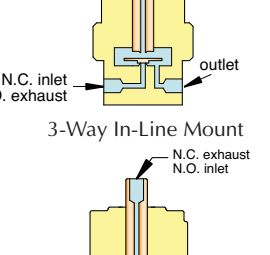
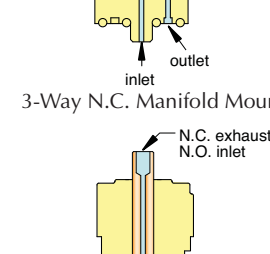
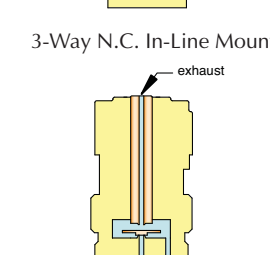
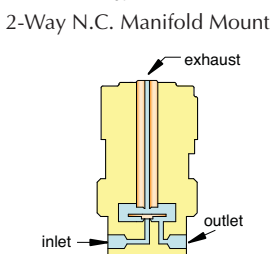
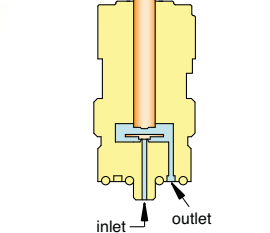
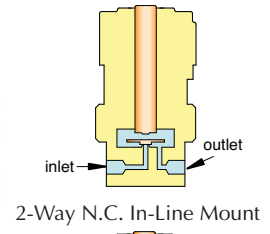
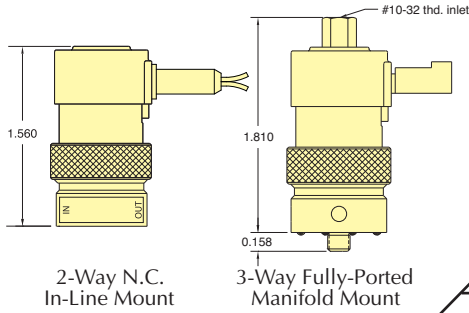
| Pressure Range | Air Flow |
|-------------------------|---------------------|
| 28" Hg Vac. to 105 psig | 0.9 scfm @ 100 psig |



2- & 3-WAY INTRINSICALLY SAFE VALVES



2-WAY INTRINSICALLY SAFE NORMALLY-CLOSED VALVES, IN-LINE & MANIFOLD MOUNT



| Pressure Range | Part No. | |
|---|--------------------------------|---------------------------------|
| | In-Line Mount | Manifold Mount |
| • 28" Hg Vac. to 105 psig • 28" Hg Vac. to 50 psig • 28" Hg Vac. to 25 psig | • EI-2-15.5 | • EI-2M-15.5 |
| | • EI-2-15.5-L | • EI-2M-15.5-L |
| | • EI-2-15.5-H | • EI-2M-15.5-H |
| • 28" Hg Vac. to 105 psig • 28" Hg Vac. to 50 psig • 28" Hg Vac. to 25 psig | • EI-2-15.5-C | • EI-2M-15.5-C |
| | • EI-2-15.5-LC | • EI-2M-15.5-LC |
| | • EI-2-15.5-HC | • EI-2M-15.5-HC |

3-WAY INTRINSICALLY SAFE NORMALLY-CLOSED VALVES, IN-LINE & MANIFOLD MOUNT

| Pressure Range | Part No. | |
|---|--------------------------------|---------------------------------|
| | In-Line Mount | Manifold Mount |
| • 28" Hg Vac. to 105 psig • 28" Hg Vac. to 50 psig • 28" Hg Vac. to 25 psig | • EI-3-15.5 | • EI-3M-15.5 |
| | • EI-3-15.5-L | • EI-3M-15.5-L |
| | • EI-3-15.5-H | • EI-3M-15.5-H |
| • 28" Hg Vac. to 105 psig • 28" Hg Vac. to 50 psig • 28" Hg Vac. to 25 psig | • EI-3-15.5-C | • EI-3M-15.5-C |
| | • EI-3-15.5-LC | • EI-3M-15.5-LC |
| | • EI-3-15.5-HC | • EI-3M-15.5-HC |

3-WAY INTRINSICALLY SAFE FULLY-PORTED VALVES, IN-LINE & MANIFOLD MOUNT

| Pressure Range | Part No. | |
|---|---------------------------------|----------------------------------|
| | In-Line Mount | Manifold Mount |
| • 28" Hg Vac. to 105 psig • 28" Hg Vac. to 50 psig • 28" Hg Vac. to 25 psig | • EIO-3-15.5 | • EIO-3M-15.5 |
| | • EIO-3-15.5-L | • EIO-3M-15.5-L |
| | • EIO-3-15.5-H | • EIO-3M-15.5-H |
| • 28" Hg Vac. to 105 psig • 28" Hg Vac. to 50 psig • 28" Hg Vac. to 25 psig | • EIO-3-15.5-C | • EIO-3M-15.5-C |
| | • EIO-3-15.5-LC | • EIO-3M-15.5-LC |
| | • EIO-3-15.5-HC | • EIO-3M-15.5-HC |

Medium: Clean, dry air (40 micron filter)

Power Consumption: 0.67 watt

Temperature Range: 32 to 180°F

Response: 5 to 10 milliseconds (nominal)

Operating Range: 90 to 150% of rated voltage

Voltage: 15.5 VDC

Ports: #10-32 and manifold mount



| Pressure Range | Suffix | Air Flow |
|-------------------------|---------|---------------------|
| 28" Hg Vac. to 105 psig | (blank) | 0.6 scfm @ 100 psig |
| 28" Hg Vac. to 50 psig | -L | 0.5 scfm @ 50 psig |
| 28" Hg Vac. to 25 psig | -H | 0.45 scfm @ 25 psig |

See Page 181 for mounting options

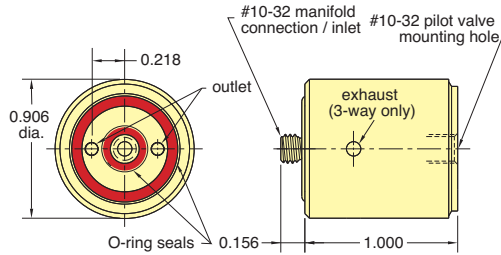
Other seal materials optional

See www.clippard.com for more information



EV, ET, EC, EW SERIES HIGHER FLOW VALVES

EC, EV, ET & EW PILOTED 2-WAY & 3-WAY NORMALLY-CLOSED, PRESSURE PILOTED VALVES, MANIFOLD MOUNT



Medium: Air

Materials: Nickel-plated brass, acetal, stainless steel and Nitrile

Response: 20 milliseconds @ 20 psig;
13 milliseconds @ 100 psig nominal

Ports: Inlet and outlet through manifold

Material: Nickel-plated brass, acetal, stainless steel and Nitrile

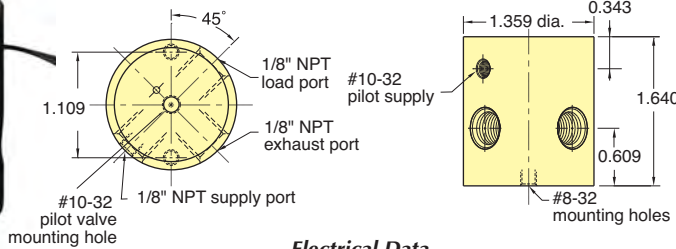
Note: Use only Normally-Closed 3-Way Pilot valves in conjunction with EVB-2/EVB-3

Part No.

- EVB-2 2-Way Valve Booster
- EVB-3 3-Way Valve Booster

| Input Pressure | Air Flow |
|----------------|---------------------|
| 20 to 150 psig | 6.1 scfm @ 100 psig |

ELECTRONIC INTERFACE 3-WAY NORMALLY-CLOSED VALVE



Medium: Air

Filtration: 10 micron

Ports: 1/8" NPT female

Switching Speed: 10 milliseconds

Bleed Flow: 0.10 scfm @ 100 psig

Frequency Response: 50 Hz @ 100 psig;
70 Hz @ 30 psig

Part No.

- 2013-6 Interface Valve, 6 VDC
- 2013-12 Interface Valve, 12 VDC
- 2013-24 Interface Valve, 24 VDC

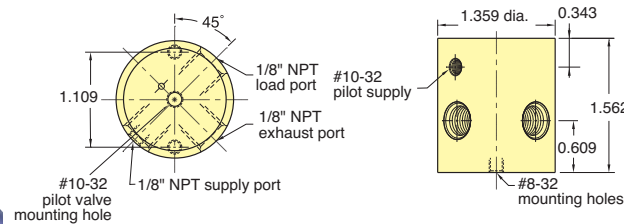
Continuous Overload: 350% @ 25°C ambient; 250% @ 50°C ambient

Power Consumption: Less than 0.50 watts @ rated voltage (80 ma. @ 6 VDC, 40 ma. @ 12 VDC 20 ma. @ 24VDC)

Leads: 28 gauge stranded PVC insulated

| Input Pressure | Air Flow |
|--|--------------------|
| 30 to 100 psig | 22 scfm @ 100 psig |
| <i>call for special configurations</i> | |

3-WAY NORMALLY-CLOSED, PRESSURE PILOTED VALVES



Medium: Air

Pilot Pressure: (2020) 60% of supply pressure, minimum

Response: Approximately 20 milliseconds

Mounting: Mounting holes provided

Ports: Inlet and outlet, exhaust 1/8" NPT Pilot supply on 2020 is #10-32 female

Materials: Anodized Aluminum, Stainless Steel and Nitrile

Additional Note: Use only Normally-Closed 3-way pilot valves in conjunction with 2020/2021

Designed to be piloted by a Clippard EC, EV and ET manifold mount electronic valve (not included). Output from the EC, EV and ET actuates the valve to produce outputs up to 22 scfm at 100 psig. Combines low wattage, long life and cool running of the EC, EV and ET valves with quick response and high flow of Clippard "Fluidamp" type valves. The 2020 and 2021 are identical in all respects except one. The 2020 has an external #10-32 pilot port.

Part No.

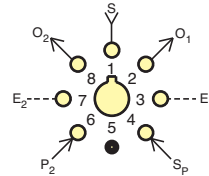
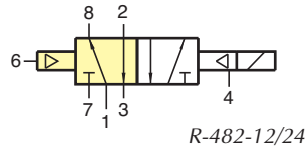
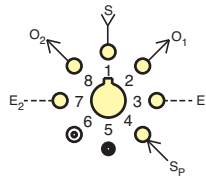
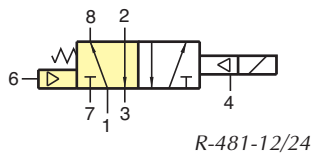
- 2020 External Piloted Valve with #10-32 Port
- 2021 Internal Piloted Valve

| Input Pressure | Air Flow |
|--|--------------------|
| 30 to 100 psig | 22 scfm @ 100 psig |
| <i>call for special configurations</i> | |

ET PILOTED 4-WAY VALVES & CONNECTORS



4-WAY PILOTED VALVES



Type: 4-way combination electronic and modular spool type interface valve. Fully-ported ET-3 & R-401 (R-481)/R-402 (R-482) hybrid

Medium: Air, water, or oil; pilot - air only

Mounting: Uses Octoport base and two captivated screws

Ports: Valve has patented Octoport system

Note: Supply pressure must be applied to both ports 1 and 4. Minimum pressure on port 4 should be 40 psig.

Part No.

- R-481-12 ET-3/R-401, 12 VDC
- R-481-24 ET-3/R-401, 24 VDC
- R-482-12 ET-3/R-402, 12 VDC
- R-482-24 ET-3/R-402, 24 VDC

| Input Pressure | Air Flow |
|------------------------|-------------------|
| Pilot: 40 psig min. | 9 scfm @ 100 psig |
| Working: 0 to 150 psig | |

For more information please see Page 270 in the Modular Valve section of this catalog.

ET VALVE CONNECTORS

Black molded lug connectors are available for easy push-on connection ET-C48 is 48" in length, ET-C120 is 120" in length.



Insulated crimp-on spade lug connectors are available for wiring up leads to connect an electronic circuit to ET style valves. Accepts #22, #24, or #26 wire.



Part No.

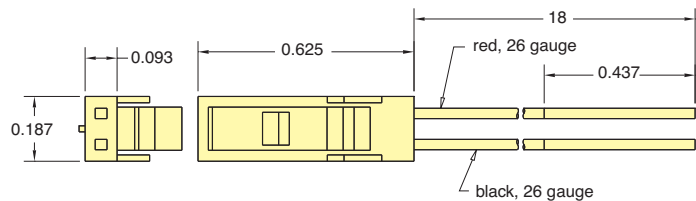
- ET-C48 48" Connector
- ET-C120 120" Connector

Part No.

- 3831 Spade Lug Connector

EC & EI VALVE CONNECTORS

TE Connectivity #5-103956-1 with 18" or 120" wire leads for EC/ECO and EI/EIO valves.



Part No.

- C2-RB18 18" Connector
- C2-RB120 120" Connector



CUSTOM PORTS & CONNECTORS

If you need a product that fits your application perfectly, Clippard has the capability to design or modify one of its products to suit your exact needs.

This application requires a special connection to a MAPP gas canister. The valve is tested for response time and flow rate, which delivers a consistent amount of gas each cycle.

CUSTOMer solutions

Metric line available. Visit www.clippard.com



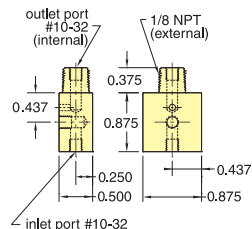
EV, ET, EC, EW SERIES ACCESSORIES

Specialized Manifolds

Material: ENP brass Option: Oxygen Clean version (add O-)

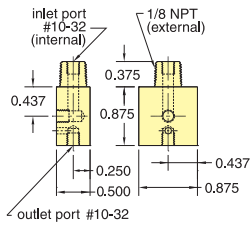
15490-1

#10-32 Inlet
1/8" NPT Outlet



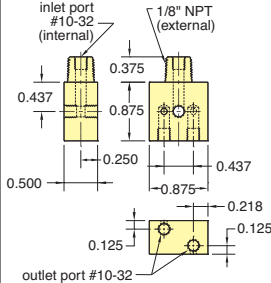
15490-2

1/8" NPT Inlet
#10-32 Outlet



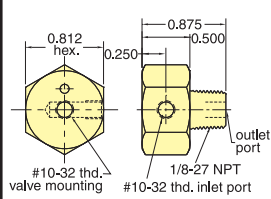
15490-3 Dual Outlet

1/8" NPT Inlet
#10-32 Outlet



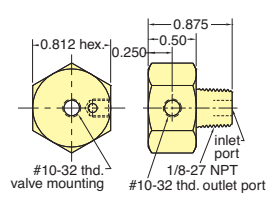
15491-1

#10-32 Inlet
1/8" NPT Outlet

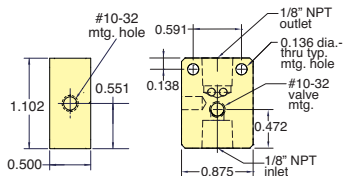


15491-2

1/8" NPT (R1/8) Inlet
#10-32 Outlet



Use: Mount EV, ET, EC, and EW valves to any 1/8" NPT supply port



15490-5

1/8" NPT Inlet
1/8" NPT Outlet

Oxygen Clean Manifolds

Multi-station manifolds are available for use with Clippard's Oxygen Clean series electronic valves. These manifolds offer either single-sided or double-side mounting in Oxygen-compatible ENP brass material.

The Oxygen series products are manufactured and assembled for applications in Oxygen-enriched environments which are extremely sensitive to contamination. Each manifold is cleaned according to Clippard Specification #ES-3.41, and double bagged in heat-sealed polyethylene bags.



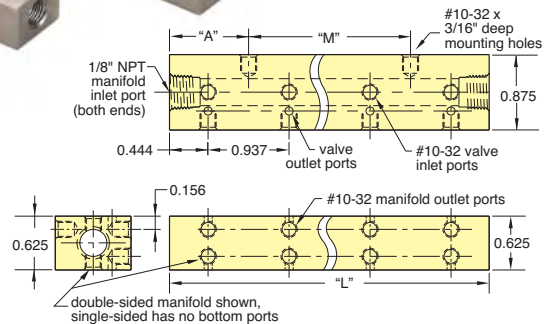
Input Ports: In-line 1/8" NPT

Outlet Ports: #10-32

Mounting: #10-32 tapped holes

Materials: ENP Brass

| Single-Sided | | Double-Sided | | Length "A" | Mtg. "L" | "M" |
|----------------------------|----------|-----------------------------|----------|---------------|-------------|-------|
| Part No. | Stations | Part No. | Stations | | | |
| O-15581-2* | 2 | O-15582-8* | 8 | 0.444 | 1.826 | 0.937 |
| O-15581-4* | 4 | O-15582-8* | 8 | 0.913 | 3.702 | 1.875 |
| O-15581-6* | 6 | O-15582-12* | 12 | 0.913 | 5.577 | 3.750 |

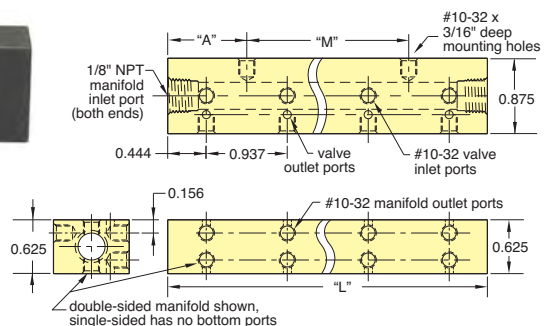


Multi-Valve Manifolds

Construction: Black anodized aluminum



| Single-Sided | | Double-Sided | | Length "A" | Mtg. "L" | "M" |
|-------------------------|----------|--------------------------|----------|---------------|-------------|-------|
| Part No. | Stations | Part No. | Stations | | | |
| 15481-2 | 2 | 15482-8 | 8 | 0.444 | 1.826 | 0.937 |
| 15481-4 | 4 | 15482-8 | 8 | 0.913 | 3.702 | 1.875 |
| 15481-6 | 6 | 15482-12 | 12 | 0.913 | 5.577 | 3.750 |





Auxiliary Power Input

Power to operate the valves may be provided through two sources: ONE, through the 25-pin connector if your signal source also has sufficient power to operate the bank of valves, or TWO, through a separate auxiliary power input connection built into the board. To isolate power from the 25-pin connector, use the power source selector switch.

NOTE: In applying power on a temporary basis, use care to observe proper circuit polarity.

Reverse Polarity Protection

Circuit using diodes and capacitor provides input voltage protection against reverse polarity.

Resistor-Diode-LED Circuit

Individual circuit to each valve provides protection against shut-off spikes. LED is illuminated when valve is actuated.

Printed Circuit Board

Durable laminated fiberglass

3-Position Detented Switches

Three position slide switch provides for: ON - Power "ON"; valve is activated; OFF - Power "OFF"; valve not connected; CONN - Valve connected to 25-pin connector, and will be controlled through it.

Power Selector Switch

Two-position selector switch enables choice of power input source (25-pin connector or auxiliary).

25-Pin Connector

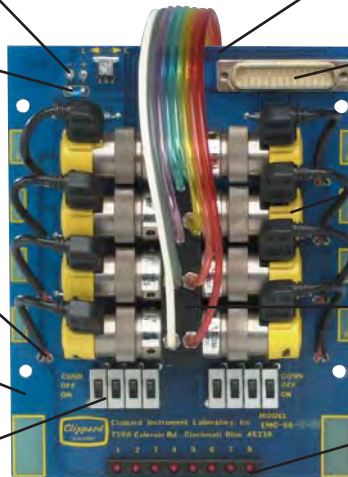
Clippard Electronic Valves

Clippard Valve Manifold

Compact, efficient mounting of the valves is by Clippard multi-valve manifolds.

LED Bank

Illuminated LED signals that the valve is actuated.



Clippard Electronic Manifold Cards

Now you can direct low-voltage DC signals from controllers, systems, computers or other sources to operate powerful pneumatic valves with a minimum of piping and hook-up.

Self-contained card includes:

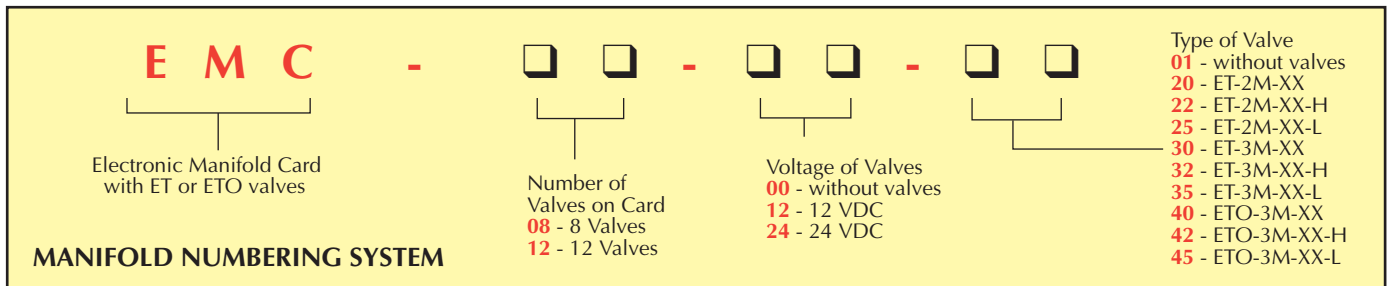
- 8 or 12 Clippard ET interface valves
- Manifold mount for single air supply
- Circuit board fully wired
- Instant plug-in with 25-pin connector
- Resistor, diode, LED and switch for each valve
- Auxiliary power supply connection

Ready to operate quickly. Just mount the card and make external connection. And each valve may be individually removed and replaced without any need for desoldering!

Convenience in interfacing electronics and pneumatics . . . completely assembled, manifolded valve cards.

Features

- Fast, easy to mount
- Pre-assembled; all valves mounted
- Low power requirements (0.67 watt per valve)
- Choice of valve types
- Each valve switchable
- Shut-off spike protection
- 25-pin connector
- No expensive card rack required

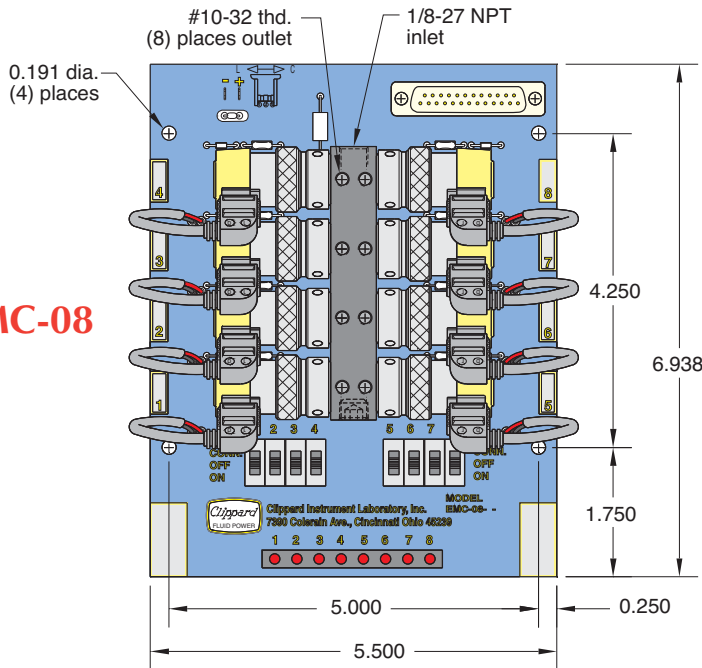


EMC-08-00-01 and EMC-12-00-01 are part numbers for cards without any valves, and without manifold. Manifold mounting hardware is included. Manifolds may be ordered separately, if desired. Part numbers are: 15482-8 and 15482-12.

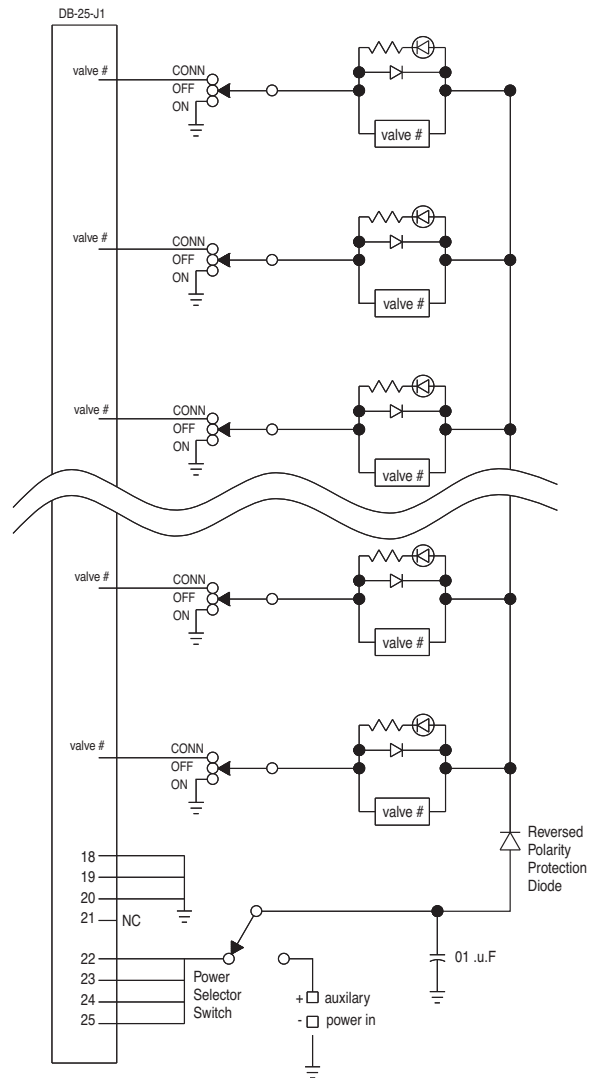
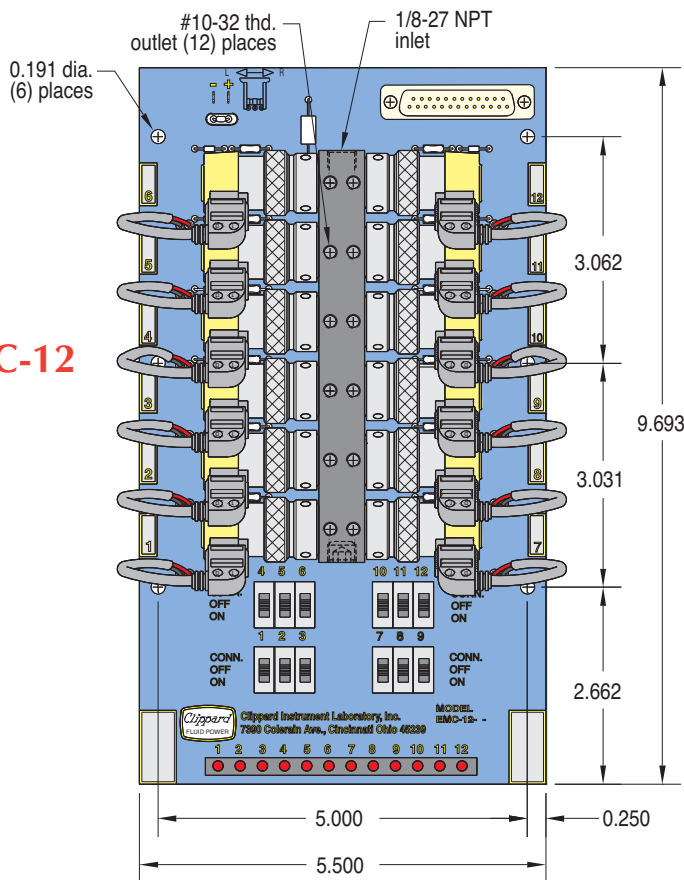


ELECTRONIC MANIFOLD CARD

EMC-08



EMC-12



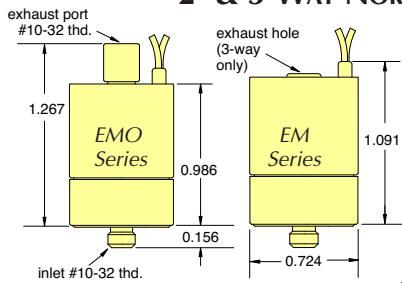
Wiring Diagram

Note: Manifold mounted valves are Normally-Closed. Use ETO models if exhaust must be ported. ETO models cannot be used "Normally-Open" without special piping.

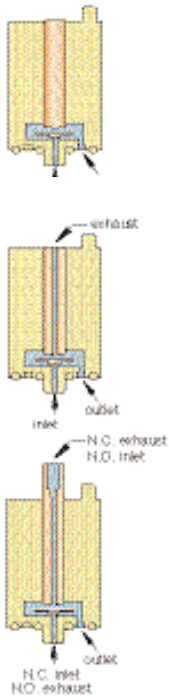
EM STUD MOUNT 2-WAY & 3-WAY VALVES



2- & 3-WAY NORMALLY-CLOSED & 3-WAY N.O./N.C. VALVES, MANIFOLD MOUNT



Part No.



| | Pressure Range | | | Voltage | | 2-Way N.C. | 3-Way N.C. | 3-Way N.O./N.C. |
|--|------------------|-----------------|-----------------|---------|--------|--|--|--|
| | Vac. to 105 psig | Vac. to 50 psig | Vac. to 25 psig | 12 VDC | 24 VDC | | | |
| | • | • | • | • | • | EM-2-12 EM-2-24 EM-2-12-L EM-2-24-L EM-2-12-H EM-2-24-H | | |
| | • | • | • | • | • | | EM-3-12 EM-3-24 EM-3-12-L EM-3-24-L EM-3-12-H EM-3-24-H | |
| | • | • | • | • | • | | | EMO-3-12 EMO-3-24 EMO-3-12-L EMO-3-24-L EMO-3-12-H EMO-3-24-H |

| Options (add to end of Part No.) | Standard | Non-Standard |
|----------------------------------|----------|--------------|
| FKM Seals | -V | |
| EPDM Seals | | -E |
| Silicone Seals | | -S |

| Pressure Range | Suffix | Air Flow |
|-------------------------|---------|---------------------|
| 28" Hg Vac. to 105 psig | (blank) | 0.6 scfm @ 100 psig |
| 28" Hg Vac. to 50 psig | -L | 0.5 scfm @ 50 psig |
| 28" Hg Vac. to 25 psig | -H | 0.45 scfm @ 25 psig |

An even smaller Mouse valve! When space is critical, the EM Series Valve provides the best solution. At just over an inch tall, and less than 3/4" in diameter, the EM Valve uses Clippard's special "spider" design. This reliable and proven design for long life is housed in a miniature body, and incorporates wire leads out the top, allowing body rotation for close-center mounting. In addition, the valve features higher flow; combining fast shifting speed, extremely high cycle life with the design flexibility to make this valve a "small wonder" for demanding applications.

This valve is perfect for air and/or gas control, pilot control, and any application where space is limited, but desired performance is not.

Medium: Clean, dry air (40 micron filter)

Power Consumption: 1 watt

Temperature Range: 32 to 150°F

Response: 10 milliseconds at nominal voltage (15 milliseconds N.O.)

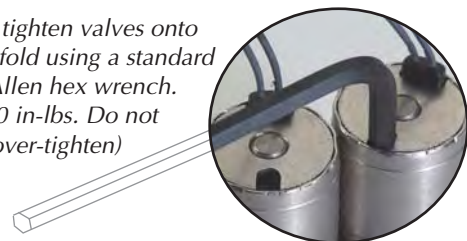
Operating Range: 90 to 120% of rated voltage

Voltage: 12 VDC or 24 VDC. Other voltages available upon request.

Ports: #10-32 Exhaust



Simply tighten valves onto the manifold using a standard 1/8" Allen hex wrench. (4-10 in.-lbs. Do not over-tighten)



Metric line available. Visit www.clippard.com



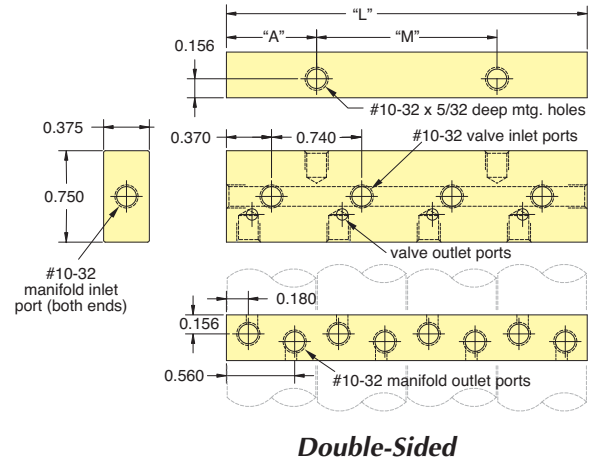
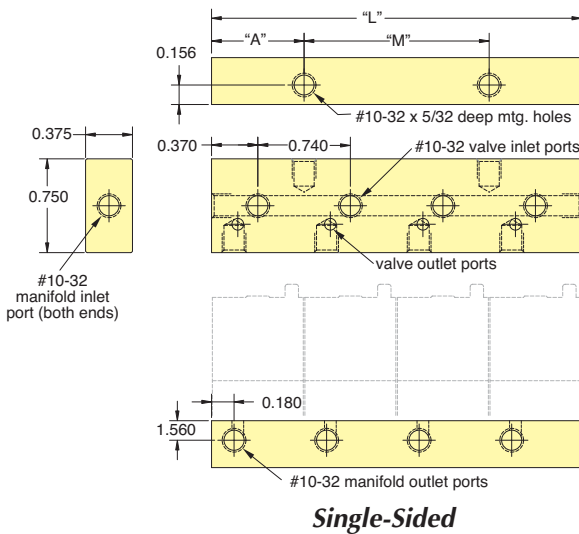
EM STUD MOUNT VALVE MANIFOLDS

EM Series Manifolds

Construction: Black anodized aluminum



| Part No. | Stations | Part No. | Stations | Length "L" | Mtg. "M" | "A" |
|-------------------------|----------|--------------------------|----------|------------|----------|--------|
| <i>Single-Sided</i> | | <i>Double-Sided</i> | | | | |
| 15681-2 | 2 | 15682-4 | 4 | 1.480" | 0.740" | 0.370" |
| 15681-4 | 4 | 15682-8 | 8 | 2.960" | 1.480" | 0.740" |
| 15681-6 | 6 | 15682-12 | 12 | 4.440" | 2.960" | 0.740" |
| 15681-8 | 8 | 15682-16 | 16 | 5.920" | 4.440" | 0.740" |



NEW! EFB Series Fill & Bleed Circuits

A Fill and Bleed Circuit is a combination of pneumatic valve components used to inflate a volume or apparatus in one controllable function, and to release or vent pressure in a second controllable function. See Pages 210 & 211.

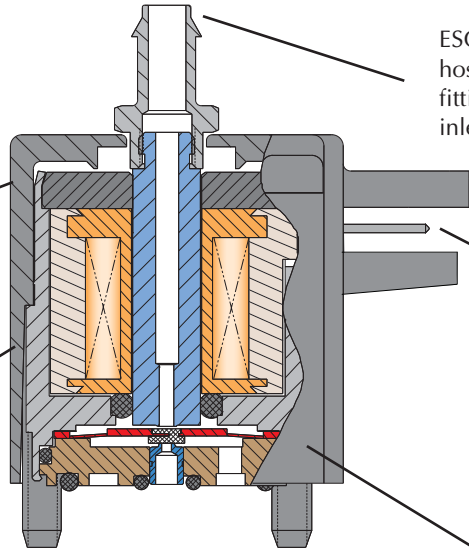


Manifold Assemblies

Our Value Added department provides assembly services for all Clippard components. If you have a need for special or standard manifolds, and would like to receive a single part number with all components assembled and tested, just contact Clippard. We provide application assistance, special testing, kitting of parts, control boxes, manifold assemblies, and more. Let our experience and capabilities work for you.



Valves are small in size with a variety of coil voltages and flow options. Mounting is as close as 7/8" on center.



Housing is molded Zytel® ST 801 for toughness and rigidity.

Valves feature low power, cool running, quiet operation and fast response time. They convert low voltage, low current signals into high pressure pneumatic outputs.

ESO and similar styles have top hose barb or #10-32 (M5) threaded fitting for N.C. exhaust or N.O. inlet.



Coils are available to mate with TE Connectivity #5-103956-2 with connector or with 18" wire leads which utilize #26 wire.

Clippard ES valves are unique, with only one internal moving part that travels a mere 0.007".

Quality Design

The compact ES valve, like Clippard EV and ET valves, converts low voltage, low current signals into high pressure (0 to 105 psig) pneumatic outputs, utilizing a unique, patented valving principle. Since there are no sliding parts, and complete poppet travel is only 0.007", low power consumption and exceptionally long life are assured with this design. No flow is required for cooling because the compact ES is cool, as well as quiet, in operation.

The compact nature of design makes this valve well suited to a wide range of applications in biomedical, environmental test equipment, textile machines, packaging machinery, computerized industrial automation, and portable systems.



Features

- Close mounting - 7/8" on center
- Overall height less than 1"
- Easy to mount on manifold with two #4-40 screws
- Geometric design
- Polymer housing - Zytel ST 801® super tough
- TE Connectivity-style pin connection or 18" wire leads
- Flow up to 0.6 scfm

Zytel ST 801® super tough and Zytel® are a registered trademark of DuPont

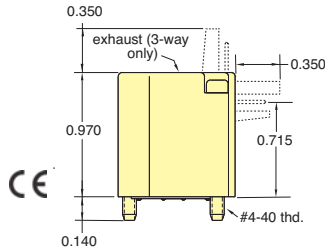
| NOMINAL | | | Power (watts) | Working Range (cont. duty) |
|----------|----------------|-------------------|---------------|-----------------------------|
| Voltage* | Current (amps) | Resistance (ohms) | | |
| 12 | 0.083 | 144 | 1.0 | 90 to 120% of rated voltage |
| 24 | 0.042 | 576 | 1.0 | |

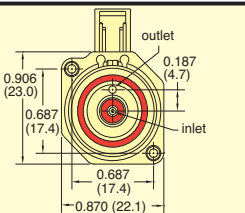
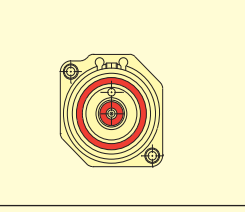
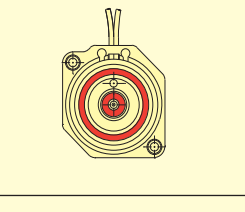
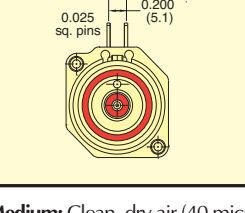
*Other voltages available. Please consult factory.

Metric line available. Visit www.clippard.com



ES SERIES 2- & 3-WAY NORMALLY-CLOSED VALVES



| | | Pressure Range | | Voltage | | Part No. | |
|--|---|------------------|-----------------|-----------------|----------------------------|----------------------------|----------------------------|
| | | Vac. to 105 psig | Vac. to 50 psig | Vac. to 25 psig | 12 VDC | 24 VDC | 2-Way |
|  Side Pin Connector | • | | | • | • | ES-2S-12 | ES-3S-12 |
| | • | | | • | • | ES-2S-24 | ES-3S-24 |
| | | • | | • | • | ES-2S-12-L | ES-3S-12-L |
| | | • | | • | • | ES-2S-24-L | ES-3S-24-L |
| | | | • | | • | ES-2S-12-H | ES-3S-12-H |
| | | • | | • | ES-2S-24-H | ES-3S-24-H | |
|  Top Pin Connector | • | | | • | • | ES-2T-12 | ES-3T-12 |
| | • | | | • | • | ES-2T-24 | ET-3T-24 |
| | | • | | • | • | ES-2T-12-L | ES-3T-12-L |
| | | • | | • | • | ES-2T-24-L | ES-3T-24-L |
| | | | • | | • | ES-2T-12-H | ES-3T-12-H |
| | | • | | • | ES-2T-24-H | ES-3T-24-H | |
|  Wire Leads Side (Radial) | • | | | • | • | ES-2W-12 | ES-3W-12 |
| | • | | | • | • | ES-2W-24 | ES-3W-24 |
| | | • | | • | • | ES-2W-12-L | ES-3W-12-L |
| | | • | | • | • | ES-2W-24-L | ES-3W-24-L |
| | | | • | | • | ES-2W-12-H | ES-3W-12-H |
| | | • | | • | ES-2W-24-H | ES-3W-24-H | |
|  Board Mount | • | | | • | • | ES-2B-12 | ES-3B-12 |
| | • | | | • | • | ES-2B-24 | ES-3B-24 |
| | | • | | • | • | ES-2B-12-L | ES-3B-12-L |
| | | • | | • | • | ES-2B-24-L | ES-3B-24-L |
| | | | • | | • | ES-2B-12-H | ES-3B-12-H |
| | | • | | • | ES-2B-24-H | ES-3B-24-H | |

Medium: Clean, dry air (40 micron filter)

Power Consumption: 1 watt at rated voltage

Temperature Range: 32 to 150°F

Response: 5 to 10 milliseconds at max rated pressure

Operating Range: 90 to 120% of rated voltage

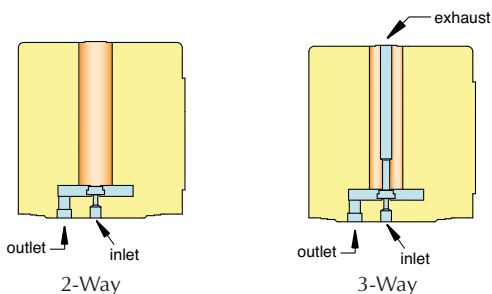
Ports: Inlet and outlet through manifold; 3-way exhaust through top of valve (3-way only)



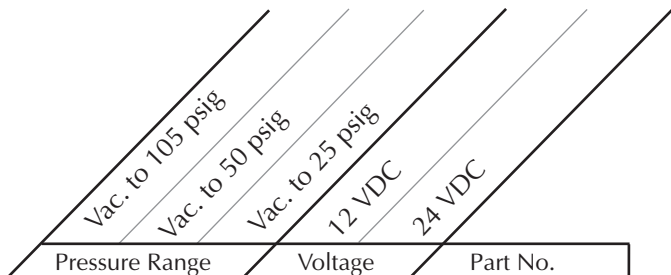
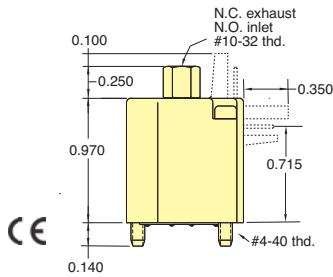
| Valve Series | Standard |
|--------------|----------|
| Standard | (blank) |

| Pressure Range | Suffix | Air Flow |
|-------------------------|---------|---------------------|
| 28" Hg Vac. to 105 psig | (blank) | 0.6 scfm @ 100 psig |
| 28" Hg Vac. to 50 psig | -L | 0.5 scfm @ 50 psig |
| 28" Hg Vac. to 25 psig | -H | 0.45 scfm @ 25 psig |

See page 182 for flow charts.

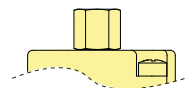


ESO SERIES 3-WAY FULLY-PORTED VALVES

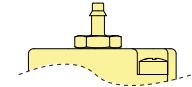


| | | Pressure Range | | | Voltage | | Part No. |
|--|--------------------------|----------------|---|---|---------|--|--------------|
| | Side Pin Connector | • | | | • | | ESO-3S-12* |
| | | • | | | • | | ESO-3S-24* |
| | Top Pin Connector | | • | | • | | ESO-3S-12-L* |
| | | | • | | • | | ESO-3S-24-L* |
| | Wire Leads Side (Radial) | | | • | • | | ESO-3S-12-H* |
| | | | | • | • | | ESO-3S-24-H* |
| | Board Mount | • | | | • | | ESO-3T-12* |
| | | • | | | • | | ETO-3T-24* |
| | Top Pin Connector | | • | | • | | ESO-3T-12-L* |
| | | | • | | • | | ESO-3T-24-L* |
| | Wire Leads Side (Radial) | | | • | • | | ESO-3T-12-H* |
| | | | | • | • | | ESO-3T-24-H* |
| | Board Mount | • | | | • | | ESO-3W-12* |
| | | • | | | • | | ESO-3W-24* |
| | Top Pin Connector | | • | | • | | ESO-3W-12-L* |
| | | | • | | • | | ESO-3W-24-L* |
| | Wire Leads Side (Radial) | | | • | • | | ESO-3W-12-H* |
| | | | | • | • | | ESO-3W-24-H* |
| | Board Mount | • | | | • | | ESO-3B-12* |
| | | • | | | • | | ESO-3B-24* |
| | Top Pin Connector | | • | | • | | ESO-3B-12-L* |
| | | | • | | • | | ESO-3B-24-L* |
| | Wire Leads Side (Radial) | | | • | • | | ESO-3B-12-H* |
| | | | | • | • | | ESO-3B-24-H* |

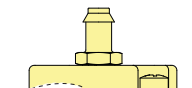
Top Port Options (below)



#10-32 (M5) (standard)



1/16" I.D. Hose Barb (option "-1")



1/8" I.D. Hose Barb (option "-2")

Medium: Clean, dry air (40 micron filter)

Power Consumption: 1 watt at rated voltage

Temperature Range: 32 to 150°F

Response: 5 to 10 milliseconds at max rated pressure

Operating Range: 90 to 120% of rated voltage

Ports: Normally-Closed: Inlet and outlet through manifold; exhaust through top of valve (#10-32)

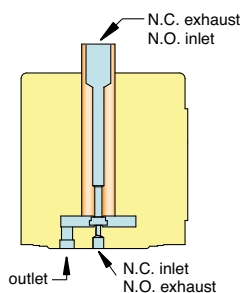
Normally-Open: Exhaust and outlet through manifold; inlet through top of valve (#10-32)



| Valve Series | Standard |
|---|----------|
| Standard | (blank) |
| Options (*) (add to end of Part No.) | |
| #10-32 Female | (blank) |
| 1/16" I.D. Hose Barb | -1 |
| 1/8" I.D. Hose Barb | -2 |

| Pressure Range | Suffix | Air Flow |
|-------------------------|---------|---------------------|
| 28" Hg Vac. to 105 psig | (blank) | 0.6 scfm @ 100 psig |
| 28" Hg Vac. to 50 psig | -L | 0.5 scfm @ 50 psig |
| 28" Hg Vac. to 25 psig | -H | 0.45 scfm @ 25 psig |

See page 182 for flow charts.



For Cable and Connectors, see Page 200.

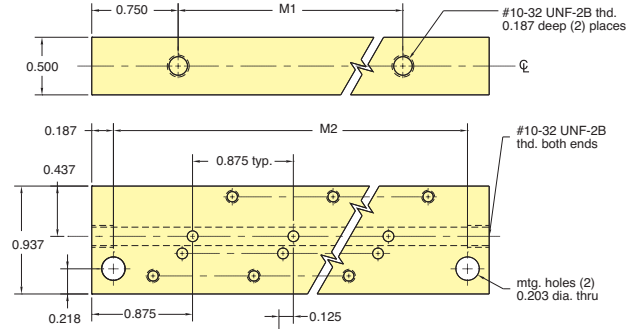


ES & ESO SERIES VALVES MANIFOLDS

Single-Sided Dual Mount Manifold

| Part No. | Description |
|----------|-----------------------|
| 26081-□ | Single-Sided Manifold |

| Suffix | Valves | L | M1 | M2 |
|--------|--------|--------|--------|--------|
| -4 | 4 | 4.375" | 2.875" | 4.000" |
| -6 | 6 | 6.125" | 4.625" | 5.750" |
| -8 | 8 | 7.875" | 6.375" | 7.500" |

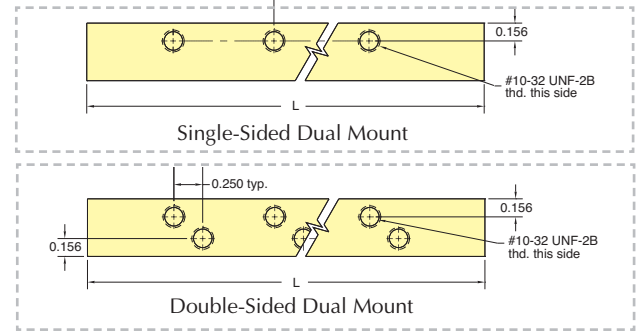


Double-Sided Dual Mount Manifold

| Part No. | Description |
|----------|-----------------------|
| 26082-□ | Double-Sided Manifold |

| Suffix | Valves | L | M1 | M2 |
|--------|--------|-------|-------|-------|
| -8 | 8 | 4.375 | 2.875 | 4.000 |
| -12 | 12 | 6.125 | 4.625 | 5.750 |
| -16 | 16 | 7.875 | 6.375 | 7.500 |

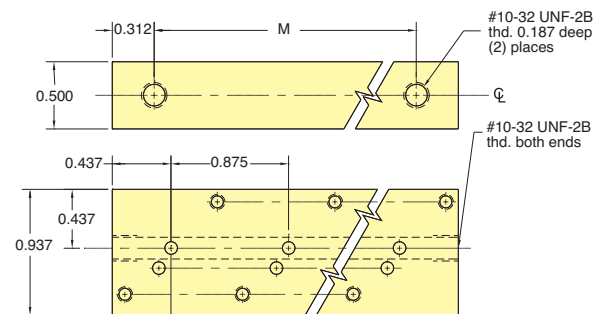
* ESM-CP plate is to cover individual unused manifold station.



Single-Sided Rear Mount Manifold

| Part No. | Description |
|----------|-----------------------|
| 26083-□ | Single-Sided Manifold |

| Suffix | Valves | L | M |
|--------|--------|-------|-------|
| -4 | 4 | 3.500 | 2.875 |
| -6 | 6 | 5.250 | 4.625 |
| -8 | 8 | 7.000 | 6.375 |

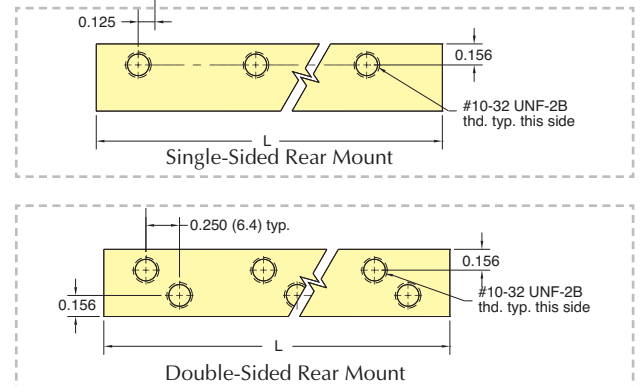


Double-Sided Rear Mount Manifold

| Part No. | Description |
|----------|-----------------------|
| 26084-□ | Double-Sided Manifold |

| Suffix | Valves | L | M |
|--------|--------|-------|-------|
| -8 | 8 | 3.500 | 2.875 |
| -12 | 12 | 5.250 | 4.625 |
| -16 | 16 | 7.000 | 6.375 |

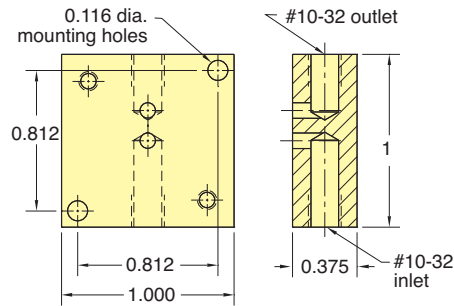
* ESM-CP cover plate is available for one manifold station.



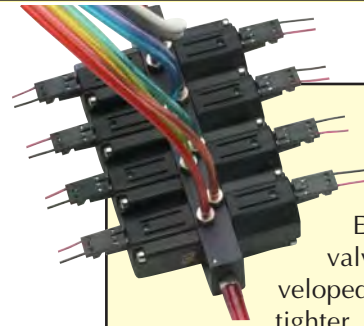
ES & ESO SERIES VALVES SINGLE MANIFOLDS



Single-Station Side Port Manifold

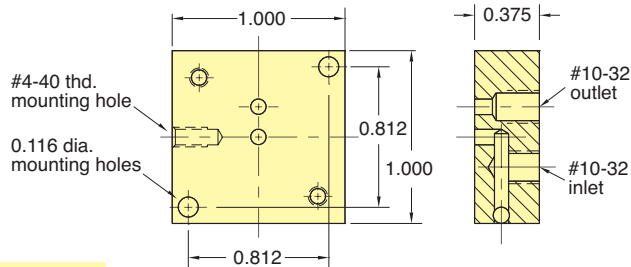


Part No. **Description**
26090-1 Side Port Manifold



The ES/ESO series valve was developed to fit into tighter physical envelopes. By reducing the size of the base as well as the size of the coil, a considerable volume savings was achieved.

Single-Station Bottom Port Manifold

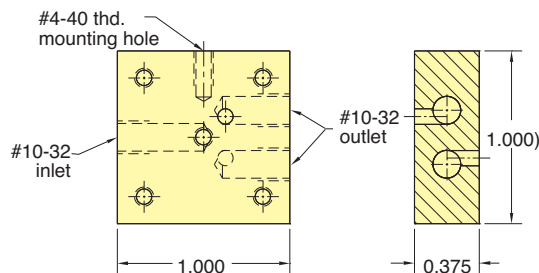


Part No. **Description**
26090-2 Bottom Port Manifold

As in the case of the EV/EVO product, the ES/ESO uses the single moving part design proven many times in the EV/ET/EC series valves. Of course, given the reduced size of the coil the power to operate increases to 1 watt.

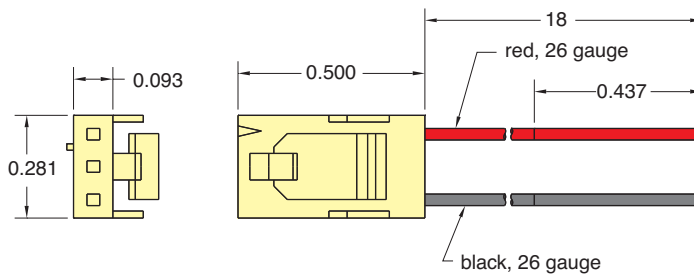
Because of its reliability, the ES/ESO series valve is found in many of the same applications and industries as its predecessor, the EV/ET/EC. However, the smaller size finds it used more commonly in portable or mobile equipment. This makes the valve particularly applicable in home healthcare applications.

Dual-Station Manifold



Part No. **Description**
26090-3 Dual Station Manifold

TE Connectivity #5-103956-2 with 18" Wire Leads for ES/ESO Valves



| Lead Set Chart For ES Valve | | | | | | |
|-----------------------------|---------|-------------|-------|-------|-------------|------------|
| Part No. | Used On | Wire Colors | | | Lead Length | Wire Gauge |
| | | Pin 1 | Pin 2 | Pin 3 | | |
| <u>C3-RXB18</u> | ES | red | ~ | black | 18" | #26 |



NEW! 2-WAY ELECTRONIC VALVES, MANIFOLD & CARTRIDGE MOUNT

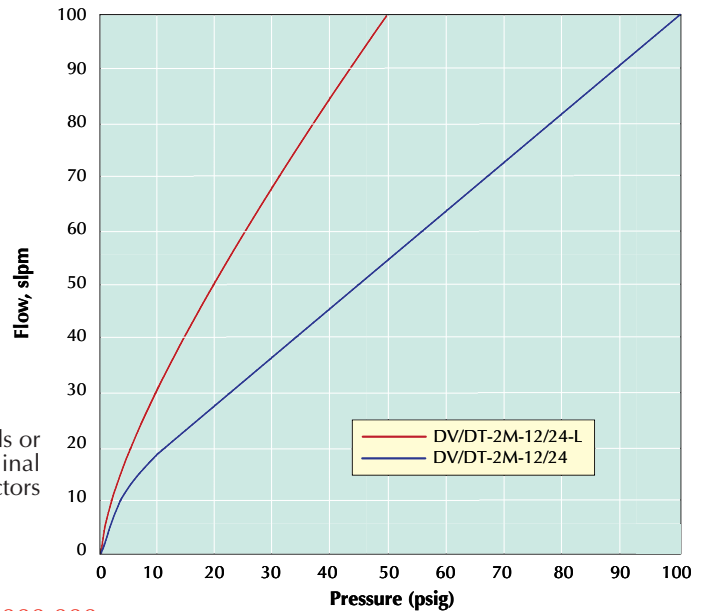
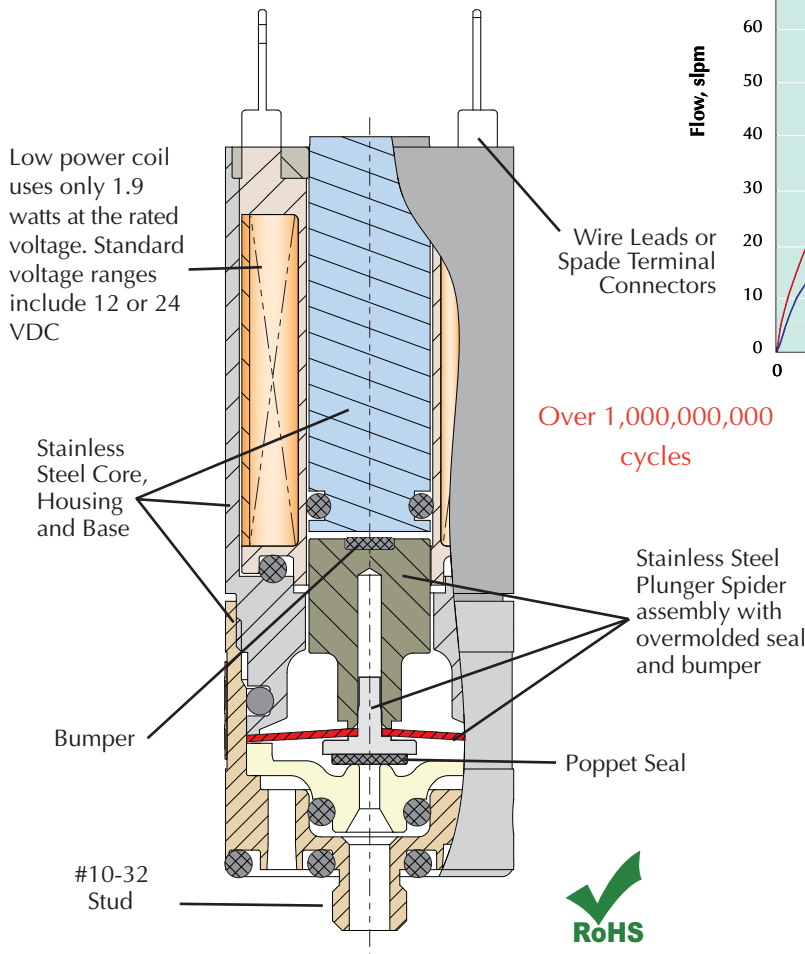
The Next Generation valve that is compact, quick and offers flows to 100 l/min!

Clippard Minimatic® DV, DT series electronic valves are precision-built 2-way control valves, utilizing a unique, patented valving principle. This powerful series was designed as the next generation of the well-known and trusted original EV line of Clippard “Mouse” valves. With a life of over a billion cycles, a solid, compact design, and extremely high flow rates, these valves are suitable for many applications across numerous diverse industries. A variety of voltage, connector and mounting options are available.

- Industry standard for leak-free operation
- Design flexibility and fast response
- Designed to accommodate large flows with more stroke
- Robust stainless steel “Spider”



Fast! High Flow! Economical!



Features

- Bidirectional flow
- Fast response
- Low heat rise/low power
- Small package
- Single moving part-low friction and wear
- Two orifice sizes
- Two connection styles
- Two mounting types

NEW! 2-WAY ELECTRONIC VALVES, MANIFOLD & CARTRIDGE MOUNT



Easy Mounting

The DT/DV series electronic valves are available with two mounting options. Manifold models are equipped with a bottom stud, 5/32" long with #10-32 thread, which fits Clippard standard and special manifolds, accessory valves and subplates. Spanner holes in the valve body permit tightening.

Cartridge models fit into a 3/4" and 5/16" bore.



Multi-Station Manifolds

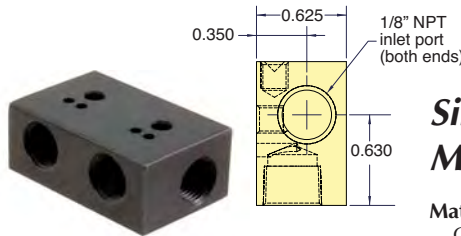
Material: Black anodized aluminum.

Ports: 1/8" NPT

Part No.

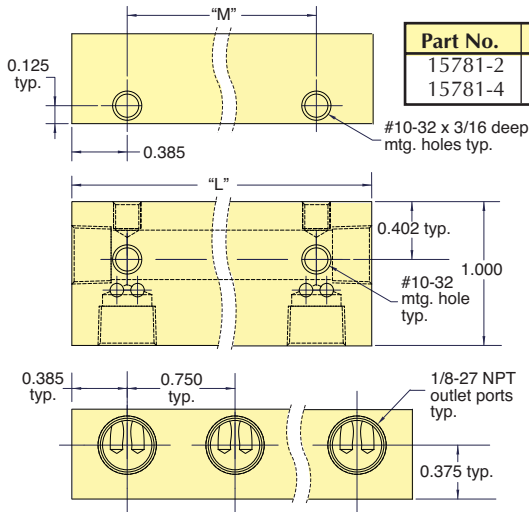
- 15781-2 2-Station Manifold
- 15781-4 4-Station Manifold

Manifold Mount

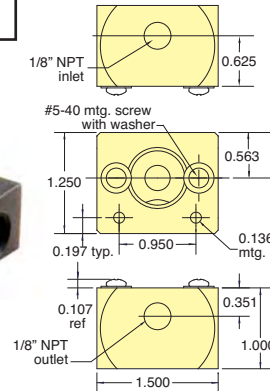


Single-Station Manifolds

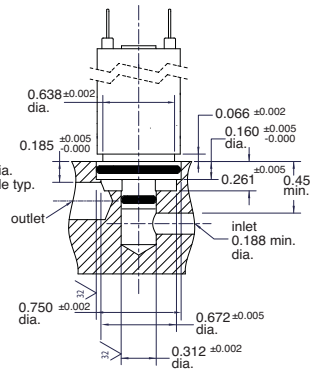
Material: ENP brass standard. Others materials available, consult factory.



| Part No. | Stations | Length "L" | Length "M" |
|----------|----------|------------|------------|
| 15781-2 | 2 | 1.52 | 0.75 |
| 15781-4 | 4 | 1.74 | 2.25 |



Cartridge Style



Part No.

- 15492-1 Single-Station Cartridge Manifold

NEW! EFB Series Fill & Bleed Circuits

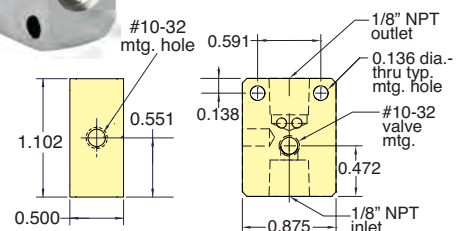


These compact Fill & Bleed circuits are a combination of electronic valves and manifolds used to inflate and vent or release pressure in a controlled system. These circuits are primarily used in applications where a particular pressure, firmness, or position can be controlled with the addition or venting of pressure.

See Page 210.



Manifold Mount

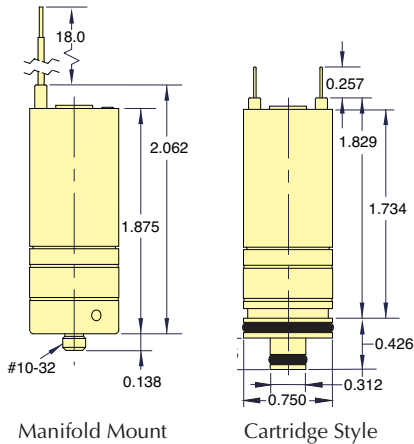


Part No.

- 15490-5 Single-Station Manifold Mount



NEW! 2-WAY ELECTRONIC VALVES, MANIFOLD & CARTRIDGE MOUNT



| | | Pressure | | Voltage | | Part No. | |
|--|----------------------------|------------------|---|-----------------|--------|----------------------------|----------------------------|
| | | Vac. to 100 psig | | Vac. to 50 psig | | Manifold Mount | Cartridge Mount |
| | | | | 12 VDC | 24 VDC | | |
| | Spade Terminals | • | | • | | DT-2M-12 | DT-2C-12 |
| | | • | | • | • | DT-2M-24 | DT-2C-24 |
| | Wire Leads Top (Axial) | • | | • | | DV-2M-12 | DV-2C-12 |
| | | • | | • | • | DV-2M-24 | DV-2C-24 |
| | | | • | | • | DV-2M-12-L | DV-2C-12-L |
| | | | • | | • | DV-2M-24-L | DV-2C-24-L |

Medium: Air or Compatible Gases (40 micron filter)

Air Flow: Standard: 100 l/min @ 100 psig;
 "-L" Option: 100 l/min @ 50 psig

Pressure Range: Standard: Vac. to 100 psig
 "-L" Option: Vac. to 50 psig

Power Consumption: 1.9 watts

Ports: #10-32 (on manifold mount valve)

Temperature Range @ Nominal Voltage: 32 to 130°F

Response: 10 to 15 milliseconds*

Electrical Connection: Spade Terminals or Wire Leads

Operating Range: 95 to 125% of rated voltage

Voltage: 12 or 24 VDC

Mounting: Manifold or Cartridge Style (inserts into a 3/4" bore)

Wetted Materials: PPS, Stainless Steel***

Seal Material: Nitrile standard. Silicone, FKM and EPDM optional**

* May vary depending on media. Consult factory for special requirements

** Other materials available for special design/project requirements. Consult factory.

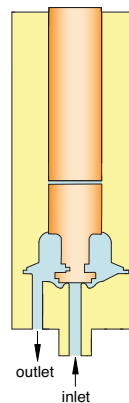


| Valve Series | Standard | Non-Standard |
|---|----------|--------------|
| Standard | (blank) | |
| Options (add to end of Part No.) | | |
| FKM Seals | -V | |
| EPDM Seals | | -E |
| Silicone Seals | | -S |

Example Part No:
[DV-2M-12-V](#)

See Page 202 for mounting options

| Pressure Range | Suffix | Air Flow |
|-------------------------|---------|----------------------|
| 28" Hg Vac. to 100 psig | (blank) | 100 l/min @ 100 psig |
| 28" Hg Vac. to 50 psig | -L | 100 l/min @ 50 psig |



View additional information and useful videos

