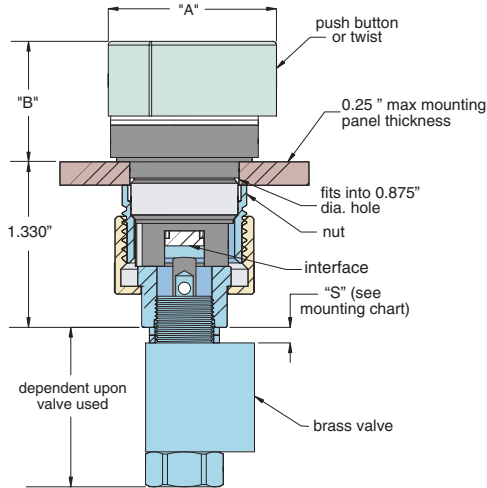




CONTROL VALVE & ACTUATOR ASSEMBLIES

Size 22 mm Actuators



PB-22-X Adapter			
Actuator	Adapter	"A"	"B"
P22-P2F-	PB-22-P	1.200"	0.450"
P22-P2E-	PB-22-P	1.200"	0.650"
P22-P2M-	PB-22-P	1.600"	0.850"
P22-L3M-	PB-22-K	1.450"	1.000"
P22-L4M-	PB-22-K	1.450"	1.200"
P22-T2T-	PB-22-T	1.200"	0.925"
P22-T3T-	PB-22-T	1.200"	0.925"
P22-T3K-	PB-22-T	1.200"	1.000"
P22-K3K-	PB-22-T	1.200"	1.000"

Mounting Chart for Clippard Valves

The following chart gives the necessary spacing required between the shoulder of the valve and the base of the adapter. Two 1/16" spacers are furnished with each adapter.

Spacer Requirements

Valves	"S"
HV-3, -4,	None
MAV-2, -2P, -2R, -3R, -3, -3P	
GV-2, -3	1/8"
MJV-2, -3	
MJVO-2, -3	None
MAV-4, -4D	
MJV-4, -4D	None
ES-1	
FV-3, -3P, -3D, -3DP	1/8"
FV-4, -4P, -4D, -4DP	
FV-5, -5P, -5D, -5DP	



Flush Push Button. Manual Push "In". Spring Return.

Part No.	Description
P22-P2F-R	Red
P22-P2F-G	Green
P22-P2F-B	Black
P22-P2F-Y	Yellow



Extended Push Button. Manual Push "In". Spring Return.

Part No.	Description
P22-P2E-R	Red
P22-P2E-G	Green
P22-P2E-B	Black
P22-P2E-Y	Yellow



Automatic Push/Turn Mushroom. Manual push "In". Latches "In". Turn clockwise to unlatch. Spring return.

Part No.	Description
P22-L3M-R	Red
P22-L3M-G	Green
P22-L3M-B	Black



Maintained Twist 90°. Turn clockwise to latch "In". Turn counterclockwise to release. Black only.

Part No.	Description
P22-T3T-B	Black



Spring Return Twist 45°. Turn clockwise and hold for "In". Release for spring return. Black only.

Part No.	Description
P22-T2T-B	Black



Manual Push Mushroom. Manual Push "In". Spring Return.

Part No.	Description
P22-P2M-R	Red
P22-P2M-G	Green
P22-P2M-B	Black



Key Twist 90° Maintained. (P22-T3K-B) Turn key clockwise to latch "In". Turn key counterclockwise to release. Key withdrawable in both positions. Black only.

P22-K3K-B same as P22-T3K-B except key is withdrawable in "Out" position only.

Part No.	Description
P22-T3K-B	Black
P22-K3K-B	Black

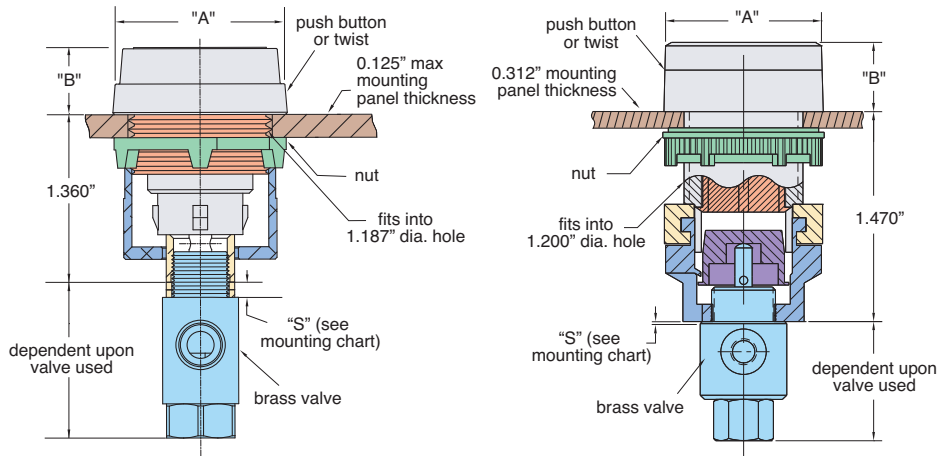


Push Key Mushroom. Manual push "In". Automatic latches "In". Turn key clockwise to release. Spring return. Key withdrawable "Out" position only. Red only.

Part No.	Description
P22-L4M-R	Red



Size 30 mm Actuators



PB-30 Aluminum Adapter		
Actuator	"A"	"B"
PL-P2F-	1.440"	0.580"
PL-P2E-	1.440"	0.880"
PL-P2M-	1.560"	1.050"
PL-L3M-	1.560"	1.050"
PL-P4K-	1.440"	1.400"
PL-L4M-	1.580"	1.300"
PL-T2T-	1.440"	1.070"
PL-T3T-	1.440"	1.070"
PL-T3K-	1.440"	1.200"
PL-K3K-	1.440"	1.200"

PB-85 Plastic Adapter		
Actuator	"A"	"B"
PL-P2F-	1.440"	0.550"
PL-P2E-	1.440"	0.960"
PL-P2M-	1.575"	1.043"
PL-L3M-	1.575"	1.043"
PL-P4K-	1.440"	2.280"
PL-L4M-	1.575"	2.280"
PL-T2T-	1.440"	1.403"
PL-T3T-	1.440"	1.043"
PL-T3K-	1.440"	2.280"
PL-K3K-	1.440"	2.280"

Part No.	Description
PB-30	Aluminum Adapter
PB-85	Plastic Adapter



Flush Push Button. Manual push "In". Spring return.

Part No.	Description
PL-P2F-R	Red
PL-P2F-G	Green
PL-P2F-B	Black
PL-P2F-Y	Yellow



Maintained Twist 90°. Turn clockwise to latch "In". Turn counterclockwise to release. Black only.

Part No.	Description
PL-T3T-B	Black



Extended Push Button. Manual push "In". Spring return.

Part No.	Description
PL-P2E-R	Red
PL-P2E-G	Green
PL-P2E-B	Black
PL-P2E-Y	Yellow



Push Key Mushroom. Manual push "In". Automatic latches "In". Turn key clockwise to release. Spring return. Key withdrawable "Out" position only. Red only.

Part	Description
PL-L4M-R	Red



Automatic Push/Turn Mushroom. Manual push "In". Latches "In". Turn clockwise to unlatch. Spring return.

Part No.	Description
PL-L3M-R	Red
PL-L3M-G	Green
PL-L3M-B	Black



Manual Push Mushroom. Manual push "In". Spring return.

Part No.	Description
PL-P2M-R	Red
PL-P2M-G	Green
PL-P2M-B	Black



Spring Return Twist 45°. Turn clockwise and hold for "In". Release for spring return. Black only.

Part No.	Description
PL-T2T-B	Black



Push Key Push Button. Manual push "In". Spring return. Turn key

counterclockwise to lock "Out"; clockwise to unlock. Key withdrawable locked or unlocked.

Part No.	Description
PL-P4K-B	Black



Key Twist 90° Maintained. (PL-T3K-B) Turn key clockwise to latch "In". Turn key counterclockwise to release. Key withdrawable in both positions. Black only.

PL-K3K-B same as PL-T3K-B except key is withdrawable in "Out" position only.

Part No.	Description
PL-T3K-B	Black
PL-K3K-B	Black

Metric line available. Visit www.clippard.com