



# AIR PILOTED VALVE ACTUATORS

MINIMUM PRESSURE REQUIRED (psig)*													
Clippard Valve	Pressure (psig)					Vacuum (" Hg)	Clippard Valve	Pressure (psig)					Vacuum (" Hg)
	w/MPA3	w/MPA-5	w/MPA-7	w/MPA-10	w/MVA-10			w/MPA3	w/MPA-5	w/MPA-7	w/MPA-10	w/MVA-10	
ES-1 Switch	12	4	2	n/a	n/a		FV-3	41	15	7.5	4.0	8.2	
MAV-2	23	8	4	2.0	4.2		FV-3P	41	15	7.5	4.0	8.2	
MAV-3	23	8	4	2.0	4.2		FV-4	41	15	7.5	4.0	8.2	
MAV-4	36	11	5.5	3.5	7.2		FV-4P	41	15	7.5	4.0	8.2	
MJV-4	36	11	5.5	3.5	7.2		FV-5	41	15	7.5	4.0	8.2	
MAV-4D	13	4	1.5	1.0	2.0		FV-5P	41	15	7.5	4.0	8.2	
MJV-4D	13	4	1.5	1.0	2.0		FV-3D	14	5	2.5	1.5	3.2	
MJV-2	30	10	5	3.0	6.2		FV-3DP	14	5	2.5	1.5	3.2	
MJV-3	30	10	5	3.0	6.2		FV-4D	14	5	2.5	1.5	3.2	
MAVO-2	27	9	4.5	2.5	5.2		FV-4DP	14	5	2.5	1.5	3.2	
MAVO-3	27	9	4.5	2.5	5.2		FV-5D	14	5	2.5	1.5	3.2	
MJVO-2	30	10	5	3.0	6.2		FV-5DP	14	5	2.5	1.5	3.2	
MJVO-3	30	10	5	3.0	6.2		GV-2/3	87	31	16	8.0	16.0	
HV-3/4	41	15	7.5	4.0	8.2								

\*with 100 psig to valve inlet

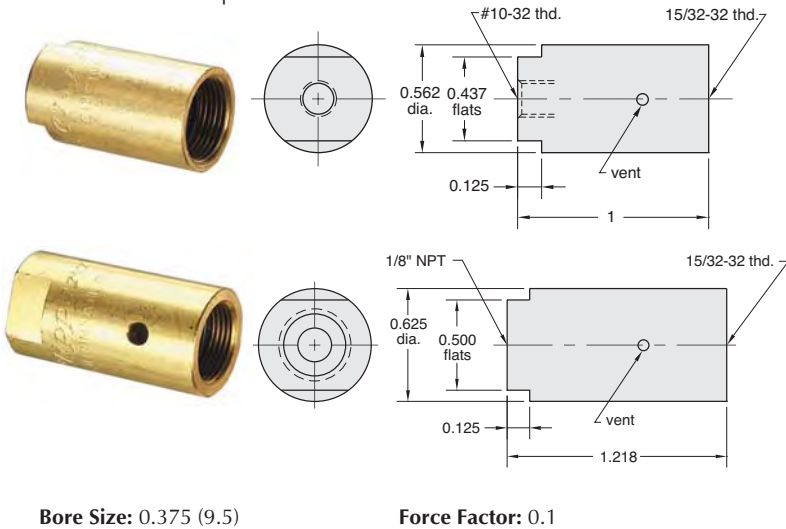
## Single Acting Air Pilot Actuators

**Input Pressure:** 250 psig max.

**Construction:** Body - brass; Springs - stainless steel; Seals - Nitrile; Piston - Delrin®



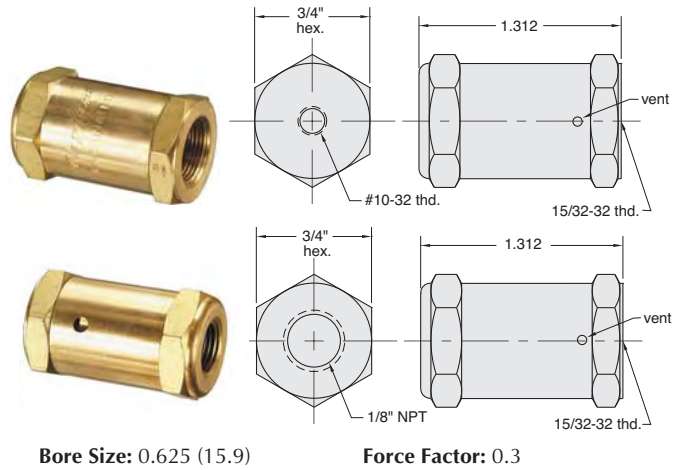
**Mounting:** #15/32-32 female thread to mount to Clippard miniature valves and components



**Bore Size:** 0.375 (9.5)

**Force Factor:** 0.1

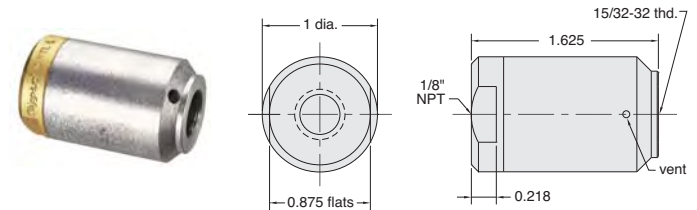
Part No.	Description
<u>MPA-3</u>	Single Acting, Spring Return Actuator, #10-32
<u>MPA-3P</u>	Single Acting, Spring Return Actuator, 1/8" NPT



**Bore Size:** 0.625 (15.9)

**Force Factor:** 0.3

Part No.	Description
<u>MPA-5</u>	Single Acting, Spring Return Actuator, #10-32
<u>MPA-5P</u>	Single Acting, Spring Return Actuator, 1/8" NPT



**Bore Size:** 0.875" (22.2) dia.

**Force Factor:** 0.6

Part No.	Description
<u>MPA-7</u>	Single Acting, Spring Return Actuator, 1/8" NPT