

MAV/MAVO STEM & CARTRIDGE VALVES



MAV/MAVO Stem Valves

2-Way, 3-Way & 4-Way Styles

The MAV series are #10-32 ported 2-way, 3-way and 4-way valves that change their flow path when the stem is either depressed or released. The 2-way and 3-way valves are offered in both Normally-Closed (not passing) or Normally-Open (passing) versions. The 4-way valves are typically used to control a double acting air cylinder. On pages 135 through 145 we offer a wide range of pneumatic and mechanical valve actuators that work with all Clippard stem valves.

Medium: Air, Water or Oil

Input Pressure: MAV-2, MAV-3: 300 psig max.;
MAVO-2, MAVO-3, MAV-4: 150 psig max

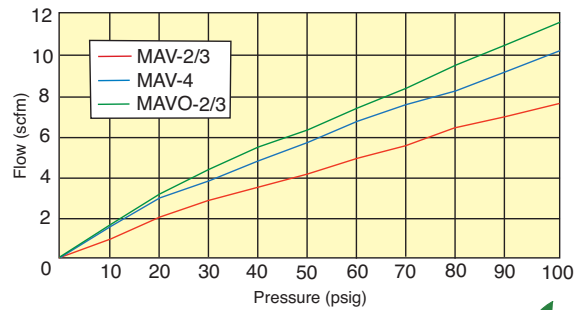
Stem Travel: MAV-2, MAV-3: 1/8"; MAV-4: 3/16"

Force For Full Stem Travel: MAV-2, MAV-3: 24 oz.; MAVO-2,
MAVO-3: 32 oz.; MAV-4: 38 oz.; MAV-4D: 12 oz. nominal

Mounting: 15/32-32 thread. Nut and lockwashers furnished. Cartridge inserts into a 3/8" bore (0.375" ±0.001")

Materials: Brass body, Nitrile seals, stainless steel stem and spring

Pressure vs. Flow



- Miniature size with high flow poppet or spool design
- Poppet valves have superior life and spool valves are more versatile.



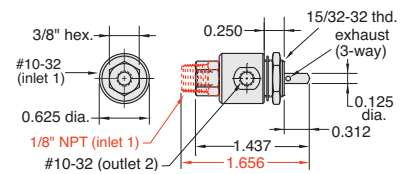
Normally-Closed Poppet Valves



(MAV-3P shown)

Port(s)	Outlet	2-Way	3-Way
#10-32	#10-32	MAV-2	MAV-3
1/8" NPT	#10-32	MAV-2P	MAV-3P

Air Flow: 4 scfm @ 50 psig; 6.8 scfm @ 100 psig



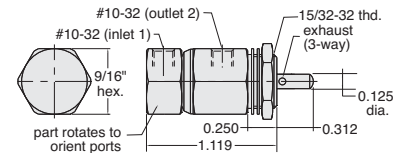
Normally-Closed Poppet Valve with Rotatable Inlet



(MAV-2R shown)

Port(s)	Outlet	2-Way	3-Way
#10-32	#10-32	MAV-2R	MAV-3R

Air Flow: 4 scfm @ 50 psig; 6.8 scfm @ 100 psig



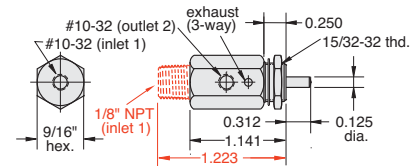
Normally-Open Spool Valves



(MAVO-2P shown)

Port(s)	Outlet	2-Way	3-Way
#10-32	#10-32	MAVO-2	MAVO-3
1/8" NPT	#10-32	MAVO-2P	MAVO-3P

Air Flow: 6 scfm @ 50 psig; 10 scfm @ 100 psig



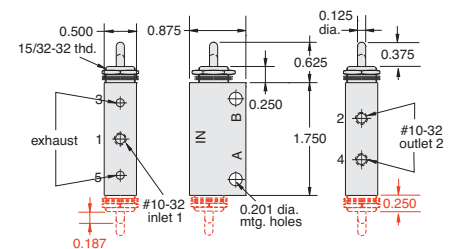
Normally-Closed Spool Valves



(MAV-4 shown)

Port(s)	Outlet	Actuation	4-Way
#10-32	#10-32	Spring Return	MAV-4
#10-32	#10-32	2-Position	MAV-4D

Air Flow: 5 scfm @ 50 psig; 8.5 scfm @ 100 psig



For high temperature applications (up to +400°F), or those that require special seals for chemical compatibility, Clippard offers optional FKM seals.

options (suffix)
ENP Plating *-ENP* • FKM Seals *-V*

Metric line available. Visit www.clippard.com



MAV/MAVO STEM & CARTRIDGE VALVES CONT'D.

MAV/MAVO Stem Valves Cont'd.

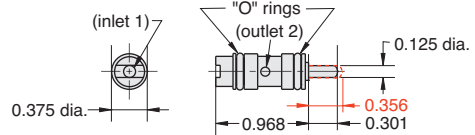
2-Way Cartridge Valves



(MAV-2C shown)

Function	2-Way
Normally-Closed	MAV-2C
Normally-Open	MAVO-2C

Air Flow: 3 scfm @ 50 psig; 6 scfm @ 100 psig



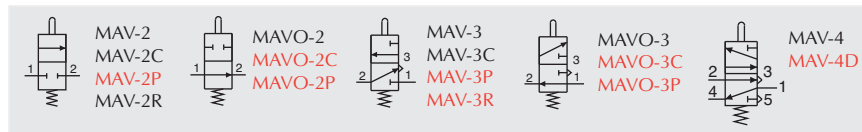
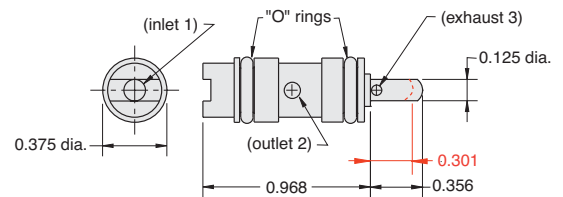
3-Way Cartridge Valves



(MAVO-3C shown)

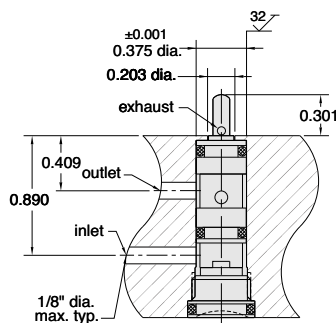
Function	3-Way
Normally-Closed	MAV-3C
Normally-Open	MAVO-3C

Air Flow: 3 scfm @ 50 psig; 6 scfm @ 100 psig

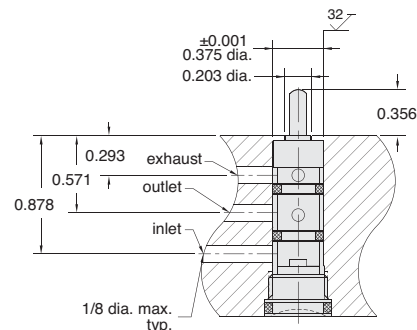


Cartridge Valve Mounting

Clippard miniature cartridge valves offer the user flexibility in the application of 2-way and 3-way Normally-Open or Normally-Closed valves. They are used in Clippard heavy-duty limit switches and are suitable for pneumatic tools and manifolds or for any use where a valve needs to be built in.



MAV-2C/3C

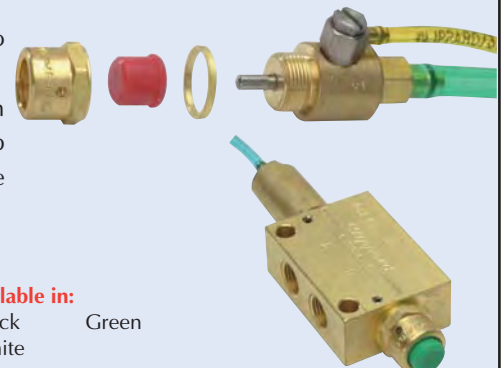


MAVO-2C/3C

Captivated Push Buttons



The small compact size make the push buttons adaptable to panel mounting. Unlike set screw retained buttons, the screw-on design will not allow the button to fall off. Designed to work with Clippard MAV, MJV, and FV series valves, these buttons also help protect the valve by preventing over-traveling of the stem and the potential for side-load on the valve. See [page 139](#) for more information.



Button Housing Available in:

Black Chrome Electroless
Brass Nickel Plated

Button Colors Available in:

Yellow Black
Red White
Green