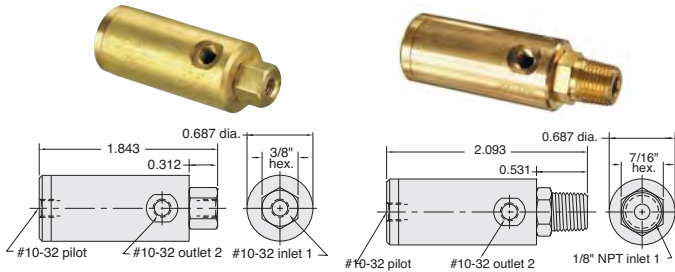


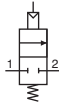


Piloted Actuated Water Drawback Valves

When this Normally-Closed valve closes a spring biased internal piston draws back a small volume on outlet side (approx. 6-7" in 1/8" I.D. tube) thus preventing overflow or dribbles. Ideal for use in quenching or water spray applications.



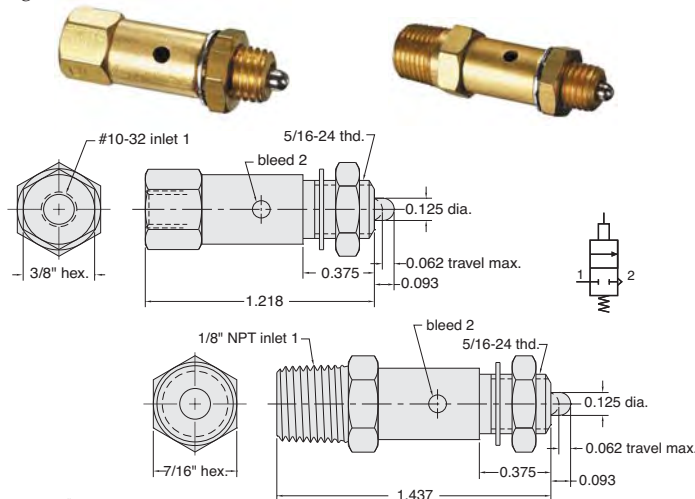
- Medium:** Water or Other Light Liquids
- Input Pressure:** 100 psig max.
- Pilot Pressure:** 25 psig min.
- Flow:** 74 cu. in. H₂O per min. @ 80 psig
- Drawback:** 0.07 cu. in. (1.2 ml)
- Mounting:** Mounts in-line



Part No.	Description
WDV-2	Poppet Valve with Air Pilot, #10-32
WDV-2P	Poppet Valve with Air Pilot, 1/8" NPT

Normally-Closed 2-Way Pilot Sensor

For use with pressure piloted control circuits, can repeatedly detect a position within 0.005" properly mounted. In jigs or fixtures it will signal correct position and start-ok to control circuit.

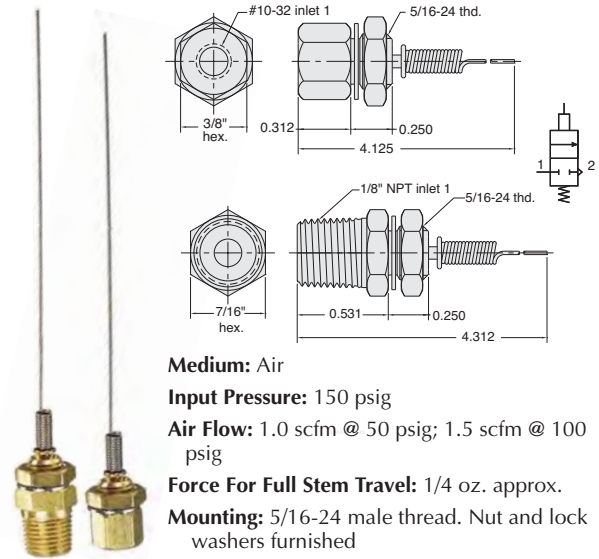


- Medium:** Air
- Stem Travel:** 1/16" max. (will open and close in as little as 0.005")
- Input Pressure:** 300 psig max. **Force For Full Stem Travel:** 7 oz. nominal
- Air Flow:** 3 scfm @ 50 psig; 6 scfm @ 100 psig
- Mounting:** #15/16-24 thread. Nut and lockwashers furnished

Part No.	Description
MPS-2	Poppet Valve with Pilot Sensor, #10-32
MPS-2P	Poppet Valve with Pilot Sensor, 1/8" NPT

2-Way N-C Whisker Valve

For use with bleed pressure piloted control circuits. Coil spring stainless steel whisker is easily replaceable and can be formed to different shapes.



- Medium:** Air
- Input Pressure:** 150 psig
- Air Flow:** 1.0 scfm @ 50 psig; 1.5 scfm @ 100 psig
- Force For Full Stem Travel:** 1/4 oz. approx.
- Mounting:** 5/16-24 male thread. Nut and lock washers furnished
- Bleed:** To atmosphere around whisker stem

Whisker: Stainless steel, approx. 3" length.
Replacement Part No. 12375

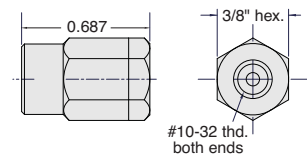


Part No.	Description
MWV-1	Normally-Closed Whisker Valve, #10-32
MWV-1P	Normally-Closed Whisker Valve, 1/8" NPT

In-Line Fixed Orifice Air Chokes



Each choke is calibrated for precise flow



- Medium:** Air
- Material:** Brass
- Working Range:** 0 to 300 psig max.

Part No.	Description
MAC-A	Air Choke, 0.0135" Hole, Yellow Disk
MAC-B	Air Choke, 0.010" Hole, Green Disk
MAC-C	Air Choke, 0.0075" Hole, Blue Disk
MAC-D	Air Choke, 0.006" Hole, Red Disk

Materials: Brass body, Nitrile seals, stainless steel stem and spring

Temperature Range: 32 to 230°F

Options: Consult the factory concerning the price and availability of the following standard options:

- ENP** - Electroless Nickel Plating
- E** - EPDM Seals
- V** - FKM Seals