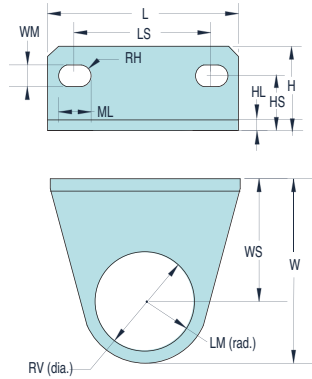




Replacement Mounting Hardware for Regulators & Stacked Filter-Regulators

Brackets are included with the purchase of these components. Mounting screws not provided.

| Regulator | Bracket Part No. |
|-----------------|--------------------------|
| MMR-1N/MMFRS-1N | MMH-B120 |
| MMR-2P/2Q | MMH-B220 |
| MMFRS-2P/2Q | MMH-B220 |
| MMR-3Q/3W | MMH-B320 |
| MMFRS-3Q/3W | MMH-B320 |
| MMR-4W/4Z/4A | MMH-B420 |
| MMFRS-4W/4Z/4A | MMH-B420 |
| MMR-5B | MMH-B420 |
| MMFRS-5B | MMH-B420 |



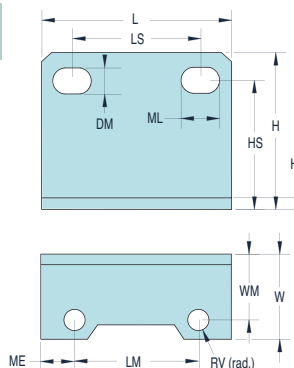
| Dim. | MMH-B120 | MMH-B220 | MMH-B320 | MMH-B420 |
|------|----------|----------|----------|----------|
| L | 1.57 | 2.17 | 2.09 | 2.76 |
| LS | 1.10 | 1.34 | 1.57 | 2.13 |
| H | 0.67 | 1.05 | 0.93 | 1.15 |
| HS | 0.43 | 0.75 | 0.55 | 0.71 |
| W | 1.49 | 1.97 | 2.52 | 3.12 |
| WS | 0.98 | 1.18 | 1.55 | 1.94 |
| RV | 0.81 | 1.32 | 1.67 | 2.07 |
| LM | 0.48 | 0.79 | 0.98 | 1.18 |
| ML | 0.26 | 0.60 | 0.31 | 0.41 |
| WM | 0.18 | 0.21 | 0.26 | 0.33 |
| RH | 0.09 | 0.11 | 0.13 | 0.17 |
| HL | 0.08 | 0.08 | 0.08 | 0.08 |



Mounting Hardware for Lubricators & Filters

No brackets are furnished with Lubricators or Filters. Comes with two screws to mount bracket to MMF/MML.

| Filter/ Lubricator | Bkt. Mtg. Thread | Bracket Part No. |
|-----------------------|---------------------|--------------------------|
| MMF-2P | M4 | MMH-B240 |
| MML-2P | M4 | MMH-B240 |
| MMF-3 | M4 | MMH-B340 |
| MML-3 | M4 | MMH-B340 |
| MMF-4Z/4W | M5 | MMH-B440 |
| MML-4Z/4W | M5 | MMH-B440 |
| MMF-4A | M5 | MMH-B540 |
| MML-4A | M5 | MMH-B540 |
| MMF-5 | M6 | MMH-B640 |
| MML-5 | M6 | MMH-B640 |

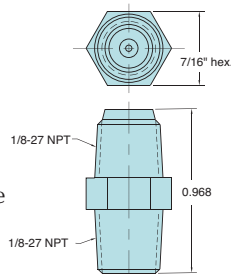


| Dim. | MMH-B240 | MMH-B340 | MMH-B440 | MMH-B540 | MMH-B640 |
|------|----------|----------|----------|----------|----------|
| L | 1.58 | 2.09 | 2.76 | 2.76 | 3.54 |
| LS | 1.06 | 1.59 | 2.12 | 2.13 | 2.60 |
| DM | 0.21 | 0.26 | 0.34 | 0.34 | 0.43 |
| H | 1.18 | 1.51 | 1.85 | 1.89 | 2.50 |
| HS | 0.95 | 1.24 | 1.49 | 1.53 | 2.03 |
| W | 0.74 | 0.95 | 1.22 | 1.24 | 1.69 |
| RV | 0.18 | 0.17 | 0.22 | 0.22 | 0.26 |
| LM | 1.03 | 1.39 | 1.85 | 1.79 | 2.37 |
| ME | 0.27 | 0.35 | 0.45 | 0.48 | 0.59 |
| ML | 0.33 | 0.32 | 0.41 | 0.41 | 5.12 |
| WM | 0.56 | 0.77 | 0.77 | 0.79 | 0.43 |
| HL | 0.08 | 0.08 | 0.87 | 0.09 | 0.13 |

1/8" NPT Filter



1/8" NPT hex nipple with 40 micron filter / strainer, can be used as a muffler.

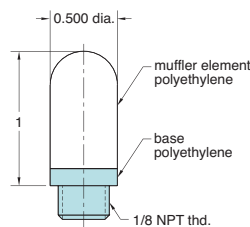


| Part No. | Description |
|-------------------------|-----------------|
| 9002-01 | 1/8" NPT Filter |

Muffler



The 3849-1 muffler is constructed of durable polyethylene with a 1/8" NPT male thread.



| Part No. | Description |
|------------------------|-------------|
| 3849-1 | Muffler |

Filter Elements

All Maximatic filters come standard with a 25 micron sintered brass filter element and baffle, however 5 micron filters are also available. Add "-F5" to the end of the filter Part Number for 5 micron. Replacement filters with baffles are also offered below.

| Filter Series | 5 micron | 25 micron |
|---------------|-----------------------|-----------------------|
| MMF-1 | 27021 | 27050 |
| MMF-2 | 27022 | 27051 |
| MMF-3 | 27023 | 27052 |
| MMF-4 | 27024 | 27053 |
| MMF-5 | 27025 | 27054 |