



MAXIMATIC® FILTER-REGULATOR-LUBRICATORS



MMFRL-2P-D
FRL with Polycarbonate Bowls
and Automatic Drain



MMFRL-3W
FRL with Bowl Shields
& Semi-Automatic Drain

Combination FRLs provide air filtration, regulation and lubrication in one unit for easy mounting and installation. Includes L brackets and gauge.

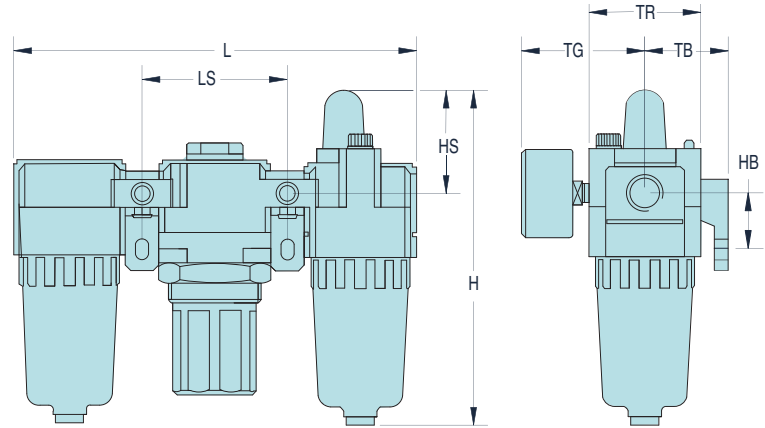
Bowl: Polycarbonate standard. Steel bowl shields provided on models indicated. Metal bowls with sight glasses also available, add "-M" to the Part Number.

Regulating Range: 7 to 100 psig on MMFRL-1N, 7 to 125 psig on all others. 30 and 60 psig ranges also available, add "-P30" or "-P60" to the end of the Part Number.

Drain: Semi-Automatic standard on MMFRLS-3 series. Manual standard on all others. Optional Automatic Drain available—add "-D" to the Part Number.

Drains not available on Lubricators.

Filtration: 25 micron filter standard. Add "-F5" to the end of the Part Number for an optional 5 micron filter.



Drawing shown with Polycarbonate Bowl without Shield or Auto Drain

Dim.	MMFRL-4Z					
	MMFRL-1	MMFRL-2	MMFRL-3	MMFRL-4W	MMFRL-4A	MMFRL-5B
H	3.33	4.92	6.16	7.54	7.60	10.69
HB	0.79	0.94	1.39	1.57	1.57	1.97
HS	1.00	1.50	1.50	1.61	1.61	1.89
L	3.58	5.51	7.13	9.37	9.96	11.81
LS	1.3	1.97	2.52	3.31	3.50	4.13
TB	0.98	1.18	1.61	1.97	1.97	2.75
TG	1.02	2.24	2.39	2.58	2.74	2.97
TR	0.98	1.57	2.09	2.76	2.76	3.54

Port	Gauge Port	Flow Rate	Manual Drain	Semi-Auto Drain	Automatic Drain	Standard Bowl*	Gauge
#10-32	1/16" NPT	3 scfm - 90 l/min	MMFRL-1N	-	MMFRL-1N-D*	Polycarbonate	PG-10-160J
1/8" NPT	1/8" NPT	18 scfm - 500 l/min	MMFRL-2P	-	MMFRL-2P-D*	Polycarbonate	PG-15-160P
1/4" NPT	1/8" NPT	18 scfm - 500 l/min	MMFRL-2Q	-	MMFRL-2Q-D*	Polycarbonate	PG-15-160P
1/4" NPT	1/8" NPT	70 scfm - 2,000 l/min	-	MMFRL-3Q*	MMFRL-3Q-D*	Poly with Shield	PG-15-160P
3/8" NPT	1/8" NPT	70 scfm - 2,000 l/min	-	MMFRL-3W*	MMFRL-3W-D*	Poly with Shield	PG-15-160P
3/8" NPT	1/4" NPT	140 scfm - 4,000 l/min	MMFRL-4W	-	MMFRL-4W-D*	Poly with Shield	PG-20-160Q
1/2" NPT	1/4" NPT	140 scfm - 4,000 l/min	MMFRL-4Z	-	MMFRL-4Z-D*	Poly with Shield	PG-20-160Q
3/4" NPT	1/4" NPT	160 scfm - 4,500 l/min	MMFRL-4A-M	-	MMFRL-4A-M-D*	Poly with Shield	PG-20-160Q
1" NPT	1/4" NPT	180 scfm - 5,000 l/min	MMFRL-5A-M	-	MMFRL-5A-M-D*	Poly with Shield	PG-20-160Q

* Add M to the end of the part number for Metal Bowl with Site Glass



MMFRLS-2Q-D
Stacking FRL with
Polycarbonate Bowls and
Automatic Drain

MMFRLS-3Q-D
Stacking FRL with Bowl
Shields and Automatic Drain



Stacking FRLs provide air filtration, regulation and lubrication in one unit for easy mounting and installation.

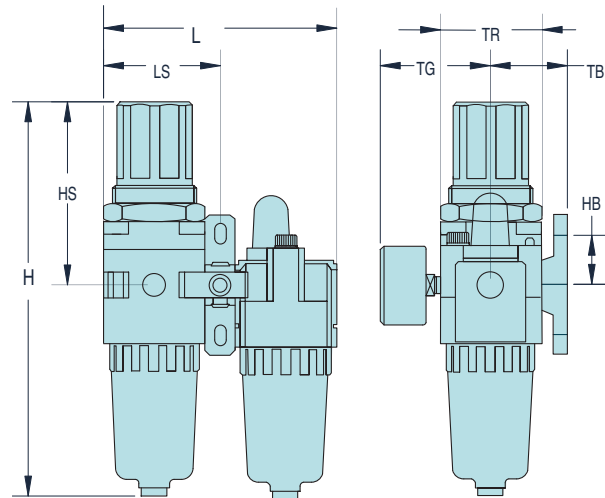
- Includes L bracket and gauge

Bowl: Polycarbonate standard. Steel shield provided on models indicated. Metal bowl with sight glass also available, add “-M” to the end of the Part Number.

Regulating Range: 7 to 100 psig on MMFRLS-1N, 7 to 125 psig on all others. 30 and 60 psig ranges also available, add “-P30” or “-P60” to the end of the Part Number.

Drain: Semi-Automatic standard on MMFRLS-3/4/5 series. Manual standard on all others. Optional Automatic Drain available—add “-D” to Part Number.

Filtration: 25 micron filter standard. Add “-F5” to the end of the Part Number for an optional 5 micron filter.



Drawing shown
without Shield
or Auto Drain

Dim.	MMFRLS-1N	MMFRLS-2	MMFRLS-3	MMFRLS-4Z		
				MMFRLS-4W	MMFRLS-4A	MMFRLS-5B
H	4.31	6.48	8.31	10.31	10.51	13.31
HB	0.79	0.94	1.38	1.57	1.57	1.97
HS	1.99	3.07	3.64	4.41	4.49	4.57
L	2.28	3.54	4.61	6.06	6.46	7.68
LS	1.14	1.77	2.30	3.03	3.23	3.84
TB	0.98	1.18	1.61	1.97	1.97	2.75
TG	1.02	2.24	2.39	2.58	2.74)	2.97
TR	0.98	1.57	2.09	2.76	2.76	3.54

Port	Gauge Port	Flow Rate	Manual Drain	Semi-Auto Drain	Automatic Drain	Standard Bowl*	Gauge
#10-32	1/8" NPT	3 scfm - 90 l/min	MMFRLS-1N	-	-	Polycarbonate	PG-10-160J
1/8" NPT	1/8" NPT	18 scfm - 500 l/min	MMFRLS-2P	-	-	Polycarbonate	PG-15-160P
1/4" NPT	1/8" NPT	18 scfm - 500 l/min	MMFRLS-2Q	-	-	Polycarbonate	PG-15-160P
1/4" NPT	1/8" NPT	60 scfm - 1,700 l/min	-	MMFRLS-3Q*	MMFRLS-3Q-D*	Poly with Shield	PG-15-160P
3/8" NPT	1/8" NPT	60 scfm - 1,700 l/min	-	MMFRLS-3W*	MMFRLS-3W-D*	Poly with Shield	PG-15-160P
3/8" NPT	1/4" NPT	105 scfm - 3,000 l/min	-	MMFRLS-4W*	MMFRLS-4W-D*	Poly with Shield	PG-20-160Q
1/2" NPT	1/4" NPT	105 scfm - 3,000 l/min	-	MMFRLS-4Z*	MMFRLS-4Z-D*	Poly with Shield	PG-20-160Q
3/4" NPT	1/4" NPT	140 scfm - 4,000 l/min	-	MMFRLS-4A-M	MMFRLS-4A-DM	Poly with Shield	PG-20-160Q
1" NPT	1/4" NPT	180 scfm - 5,000 l/min	-	MMFRLS-5B-M	MMFRLS-5B-DM	Poly with Shield	PG-20-160Q

* Add M to the end of the part number for Metal Bowl with Site Glass