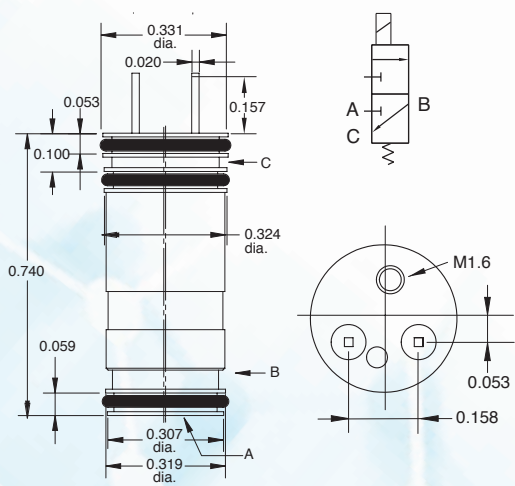
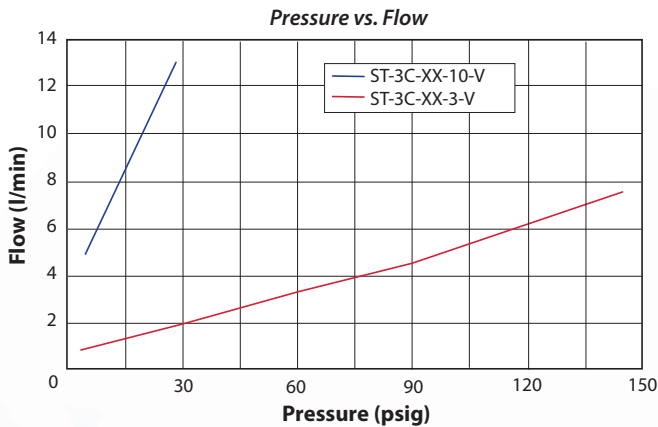


# 8 MM VALVES

## 3-WAY SUBMINIATURE VALVES



- 1,000,000,000+ cycle life
- Extremely small dead volume
- Low vibration and noise
- Exceptional repeatability and reliability
- Compact and ideal for sub-assemblies
- 100% tested



These direct actuating valves offer an extremely fast response time for accurate dosing of minute volumes with the same long life you expect from the original Clippard EV line of electronic valves, in a 8 mm cartridge package. Due to very low moving weights, they are extremely quiet and emit very little vibration. Subminiature size and low energy consumption make them ideal for many medical and diagnostic applications.

Standard products offered will fit the needs of most applications, however this series can be fully customized according to the user's unique requirements. Consult Clippard with your specific application.

<b>Valve Type</b>	3-Way, Normally-Closed
<b>Medium</b>	Air, water, gas, or compatible fluids
<b>Nominal Power</b>	0.55 watts*
<b>Response Time</b>	<5 ms*
<b>Temperature Range</b>	32 to 122°F
<b>Electrical Connection</b>	Terminal pins
<b>Voltage</b>	12 VDC or 24 VDC*
<b>Mounting</b>	Cartridge
<b>Wetted Materials</b>	Stainless steel
<b>Seal Material</b>	FKM standard; EPDM available
<b>More Details</b>	<a href="http://clippard.com/link/st">clippard.com/link/st</a>

\*Customizable to the specifications of the application. Call 877-245-6247.

Part No.	Pressure	Orifice	Voltage
ST-3C-12-3-V	0 to 145 psig	0.012"	12 VDC
ST-3C-24-3-V			24 VDC
ST-3C-12-10-V	0 to 29 psig	0.039"	12 VDC
ST-3C-24-10-V			24 VDC

## SINGLE-STATION MANIFOLD

Part No.	Description
STM-01	Single-Station Manifold, #10-32
M-STM-01	Single-Station Manifold, M5

Black anodized aluminum manifold comes with mounting screw. Other materials available.

