



The Road to Reliability.



Trans-DOT Catalog

Pneumatic Valves and Fittings for Transportation



 **ALKON**
CORPORATION



Can-do. World class. Capable. Entrepreneurial. Global.

Your needs drive our business.

Your input drives our continuous improvements and new product development. Our sales and engineering teams are always ready to develop customized products that exceed your expectations. Meeting your needs is our primary concern.

Alkon headquarters includes a complete quality lab where products are tested to your specifications. We are constantly evolving to meet new, more stringent customer requirements.

A history of satisfied customers.

The global Alkon Corporation of today began as a single product line in Hawthorne, New Jersey, in 1950. Our corporate headquarters, now in Fremont, Ohio, shares a 70,000 sq. ft. facility with our primary manufacturing operations. A second facility, Alkon-Mexico, partners with us in production of forgings and machining. Alkon remains a privately held company. Many employees, from executives to shop employees, are shareholders. The personal touch of a small company continues to drive our world-class manufacturing operation.

We take the time to understand each job and customer. We focus on the opportunity to provide each customer with products of superior quality and value. We pride ourselves on the fact that our strong customer relationships and outstanding products deliver continued customer satisfaction.







The road to reliability starts with Alkon Trans-DOT.

Alkon offers the most complete line of pneumatic connections on the market, from swivel elbows to solenoid valves and union T fittings to lift axle controls. Alkon products are on the job worldwide, in every environment you can imagine. Proving day after day that our products are made right, to work in the harshest environments.

TABLE OF CONTENTS

Quality Policy	4
Warranty Information	4

AQ-DOT Fittings	
Specifications	6
Customized Fittings	7
How to use Alkon Push-In Fittings	8
Series AQ-DOT Brass Push-In Fittings	9
Series 100 Pipe Fittings.....	18

Trans-DOT Valves	
In-Line Check Valves/Specifications.....	26
Quick Exhaust Valves.....	31
Pressure Protection Valves.....	33

Trans-DOT Manual Valves.....	37
------------------------------	----

Trans-DOT Air Pilot Valves.....	59
---------------------------------	----

Trans-DOT Solenoid Valves.....	73
--------------------------------	----

Trans-DOT Specialty Valves	88
Slider Pin Release Valve with Air Reset	90
3-Way Stacking Valve Pack	91
Pin Release Valve with Built In Inversion Valve	92
4-Way Stacking Valve Pack	93
Lift Axle Control Valves	94
Kneeling Valves	95
Emergency Repair Kits	96

Quality Policy

To continuously improve all aspects of our business in order to provide a quality product with an innovative design supported by dependable delivery and loyal customer relations.

Alkon is certified ISO 9001:2008.

Warranty

Alkon Corporation warrants its products to be free of defects in material and workmanship when properly installed and maintained. No other warranty is implied or expressed.

Alkon Corporation's liability for and remedy to are limited to replacement or repair at Alkon's sole discretion if the parts are returned to us under a valid RGA within 18 months of purchase. No allowance whatsoever will be made for repairs made by the purchaser, nor will Alkon be liable for consequential or other damages or any expense incurred through the use of its products. The warranty is valid solely on products of current design. Alkon Corporation is constantly upgrading its products. In keeping with this policy, Alkon Corporation reserves the right to change dimensions, designs and/or performance. These changes may be made at any time.

Contact Us

Alkon Corporation
728 Graham Drive
Fremont, OH 43420
P: 419-333-7000
F: 419-355-9211

Alkon Products, S.A. de C.V.
Destajistas No. 20
Parque Industrial Xhala
Cuautitlan Izcalli EDO. DE MEX.
C.P. 54730

www.alkoncorp.com sales@alkoncorp.com





Alkon AQ-DOT Push-In Fittings

Alkon AQ-DOT Series meet D.O.T. FMVSS 571.106 Air Brake Performance Requirements; SAE J1131, J2494-1 & J2494-3 Air Brake Performance Requirements.

PRODUCT FEATURES

Positive Seal - Tube support area beyond “O” ring exceeds that of all competitive products, compensates for bias cut tubing and dramatically reduces troubleshooting time.

Swivel and Fixed Elbows and Tees - Convenient swivel threaded fittings that allow close center line installation, eliminating orientation problems. Fixed fittings offer the utmost in economy.

Thread Sealant -Pre-applied at no charge to all AQ Series male threads. Thread Sealant: Loctite® 516 standard (others available upon request).

Custom Designs - Alkon offers custom parts on short notice and welcomes these opportunities.



SPECIFICATIONS

Applications Transportation - air brake systems, air suspensions and cabin controls for trucks, trailers, RVs, buses, transit and rail

Configurations Push-in, brass pipe or compression-type
Economical fixed or convenient swivel design
Specialty fittings available

Material CA 377 brass shapes, CA 360 brass straights

Meets DOT FMVSS 571.106, SAE J1131, J2494-3
air brake performance requirements

Tubing J844 Air Brake Tubing

Options Nickel plating
Different O-ring materials
(based on application or needs)

Sizes 5/32” to 3/4”

Pressure Fittings are designed to handle 200 psi
working pressure

AQ-DOT Customized Fittings

*Eliminate leakage paths, reduce inventory items
and save assembly labor with Trans-DOT customized fittings.*

If you can imagine it, Alkon has the flexibility to deliver. Design assistance is free. Let us help.

Standard (Out of Catalog) and Customized Products

Customized products typically combine other fittings, such as pipe or barbs, with Series AQ push-in fittings. Bodies and straights come in brass and nickel-plated brass. O-ring and thread sealant options are available.



How to Use Alkon AQ-DOT Push-In Fittings

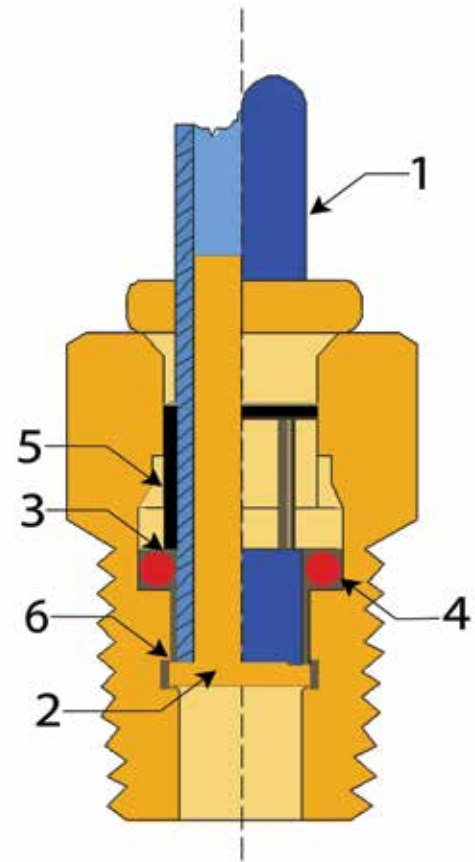
Alkon AQ-DOT push-in fittings are designed for easy use and fast installation.



To connect tube:
Cut the plastic tubing as squarely as possible. Insert the tube into the fitting until you feel the friction as the tube slides past the O-ring. (Using a slight twisting motion while inserting the tube often helps.) Once you feel this friction, continue to push the tube inward until it bottoms firmly against the internal tube stop.



To disconnect tube:
With thumb and forefinger, hold the top of the insert down against the fitting body and, with the other hand, pull out the tubing. No tools are needed.



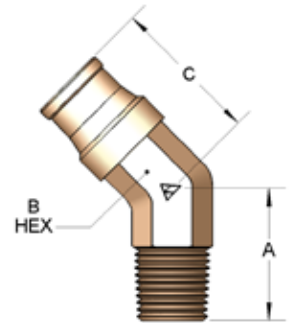
When tubing (1) is inserted into the fitting, the inside diameter passes over the brass tube support (2). This, combined with the action of the gripper, insures that the air brake hose assembly will safely exceed the tensile requirements of FMVSS-106. The tubing then passes through the gripping teeth (3). The tubing continues beyond the gripping teeth through the inside diameter of the lubricated "O" ring (4) which seals on the outside diameter of the tubing. The gripping teeth grab the tube. Pulling back on the tube only tightens the grip on the tubing as the insert moves onto the camming surface (5). Pressure through the tube also serves to tighten the grip. The tube bottoms against a positive tube stop (6) in a cavity which keeps tube round to prevent leakage.

Series AQ-DOT Brass Push-In Fittings

Alkon AQ push-to-connect fittings are designed for compressed air applications. For all other applications, please call Customer Service. Our Customer Service representatives are always glad to help.

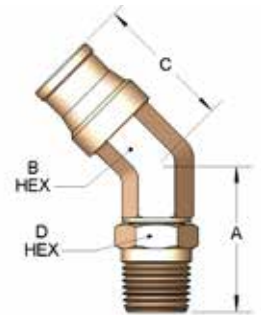
AQ54-DOT 45° MALE ELBOW

Part Number	Tube O.D.	Pipe	A	B	C
AQ54-DOT-4X2	1/4	1/8	0.75	3/8	0.99
AQ54-DOT-4X4	1/4	1/4	0.89	3/8	0.99
AQ54-DOT-6X2	3/8	1/8	0.75	1/2	0.99
AQ54-DOT-6X4	3/8	1/4	0.95	1/2	1.08
AQ54-DOT-6X6	3/8	3/8	0.97	1/2	1.08
AQ54-DOT-6X8	3/8	1/2	1.13	5/8	1.15
AQ54-DOT-8X4	1/2	1/4	1.00	5/8	1.20
AQ54-DOT-8X6	1/2	3/8	1.05	5/8	1.20
AQ54-DOT-8X8	1/2	1/2	1.20	5/8	1.20
AQ54-DOT-10X6 *	5/8	3/8	1.17	11/16	1.22
AQ54-DOT-10X8	5/8	1/2	1.31	11/16	1.22
AQ54-DOT-12X8 *	3/4	1/2	1.36	15/16	1.18
AQ54-DOT-12X12 *	3/4	3/4	1.36	15/16	1.18



AQ54-DOT SWIVEL 45° MALE ELBOW

Part Number	Tube O.D.	Pipe	A	B	C	D
AQ54-DOTS-4X2	1/4	1/8	0.98	3/8	0.99	7/16
AQ54-DOTS-4X4	1/4	1/4	1.06	3/8	0.99	7/16
AQ54-DOTS-6X2	3/8	1/8	1.08	1/2	1.06	7/16
AQ54-DOTS-6X4	3/8	1/4	1.13	1/2	1.06	9/16
AQ54-DOTS-6X6	3/8	3/8	1.23	1/2	1.08	11/16
AQ54-DOTS-8X4 *	1/2	1/4	1.22	5/8	1.22	9/16
AQ54-DOTS-8X6	1/2	3/8	1.31	5/8	1.20	11/16
AQ54-DOTS-8X8	1/2	1/2	1.61	5/8	1.20	7/8
AQ54-DOTS-10X8	5/8	1/2	1.68	11/16	1.39	7/8
AQ54-DOTS-12X12 *	3/4	3/4	2.28	15/16	1.40	1-1/16

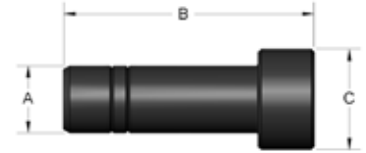


FITTINGS

Series AQ-DOT Brass Push-In Fittings

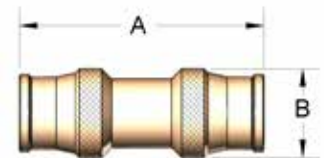
AQ59-P PLUG

Part Number	A	B	C
AQ59-P-5/32	5/32	1.16	0.32
AQ59-P-4	1/4	1.40	0.43
AQ59-P-6	3/8	1.40	0.55
AQ59-P-8	1/2	1.50	0.70



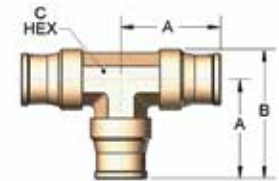
AQ62-DOT UNION CONNECTOR

Part Number	Tube O.D.	A	B
AQ62-DOT-5/32	5/32	1.38	.38
AQ62-DOT-3	3/16	1.59	0.44
AQ62-DOT-4	1/4	1.82	.44
AQ62-DOT-6	3/8	1.82	.66
AQ62-DOT-8	1/2	2.02	.78
AQ62-DOT-10	5/8	2.04	.91
AQ62-DOT-12	3/4	2.20	1.06



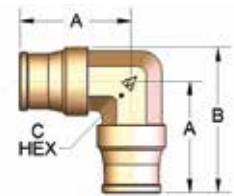
AQ64-DOT UNION TEE

Part Number	Tube O.D.	A	B	C
AQ64-DOT-4	1/4	0.94	1.17	3/8
AQ64-DOT-6	3/8	1.08	1.41	1/2
AQ64-DOT-8	1/2	1.26	1.65	5/8
AQ64-DOT-10	5/8	1.32	1.77	11/16
AQ64-DOT-12 *	3/4	1.44	1.99	15/16



AQ65-DOT UNION ELBOW

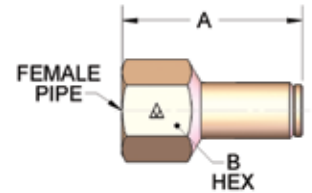
Part Number	Tube O.D.	A	B	C
AQ65-DOT-4	1/4	0.94	1.17	3/8
AQ65-DOT-6	3/8	1.08	1.41	1/2
AQ65-DOT-8	1/2	1.26	1.65	5/8



Series AQ-DOT Brass Push-In Fittings

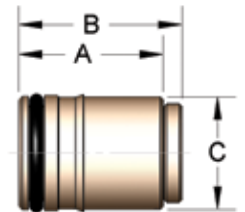
AQ66-DOT FEMALE CONNECTOR

Part Number	Tube O.D.	Female Pipe	A	B
AQ66-DOT-4X2	1/4	1/8	1.33	9/16
AQ66-DOT-4X4	1/4	1/4	1.55	3/4
AQ66-DOT-6X4	3/8	1/4	1.52	3/4
AQ66-DOT-6X6	3/8	3/8	1.56	7/8
AQ66-DOT-8X6 *	1/2	3/8	1.59	7/8
AQ66-DOT-8X8 *	1/2	1/2	1.85	1-1/8



AQ688-DOT PRESS-IN CARTRIDGE

Part Number	Tube O.D.	A	B	C
AQ688-DOT-5/32 *	5/32	0.59	0.69	0.32
AQ688-DOT-3 *	3/16	0.68	0.78	0.41
AQ688-DOT-4 *	1/4	0.76	0.86	0.41
AQ688-DOT-4X6 *	1/4	0.81	0.91	0.64
AQ688-DOT-6 *	3/8	0.82	0.92	0.64
AQ688-DOT-6X8 *	3/8	0.92	1.02	0.77
AQ688-DOT-8 *	1/2	0.92	1.02	0.77
AQ688-DOT-10 *	5/8	1.10	1.00	0.92
AQ688-DOT-12 *	3/4	1.16	1.06	1.06

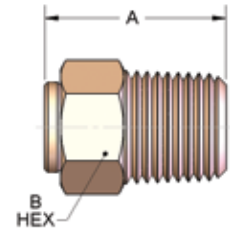


FITTINGS

Series AQ-DOT Brass Push-In Fittings

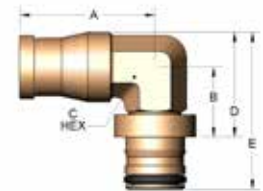
AQ68-DOT MALE CONNECTOR

Part Number	Tube O.D.	Pipe	A	B
AQ68-DOT-5/32X1	5/32	1/16	0.78	3/8
AQ68-DOT-5/32X2	5/32	1/8	0.79	7/16
AQ68-DOT-4X1	1/4	1/16	1.17	7/16
AQ68-DOT-4X2	1/4	1/8	0.98	7/16
AQ68-DOT-4X4	1/4	1/4	0.90	9/16
AQ68-DOT-4X6 *	1/4	3/8	0.87	11/16
AQ68-DOT-6X2	3/8	1/8	1.17	11/16
AQ68-DOT-6X4	3/8	1/4	1.15	11/16
AQ68-DOT-6X6	3/8	3/8	1.12	11/16
AQ68-DOT-6X8	3/8	1/2	1.03	7/8
AQ68-DOT-8X4	1/2	1/4	1.46	13/16
AQ68-DOT-8X6	1/2	3/8	1.28	13/16
AQ68-DOT-8X8	1/2	1/2	1.23	7/8
AQ68-DOT-10X6	5/8	3/8	1.44	15/16
AQ68-DOT-10X8	5/8	1/2	1.59	15/16
AQ68-DOT-12X8	3/4	1/2	1.65	1-1/16
AQ68-DOT-12X12	3/4	3/4	1.38	1-1/16



AQ698-DOTS PRESS-IN CARTRIDGE ELBOW

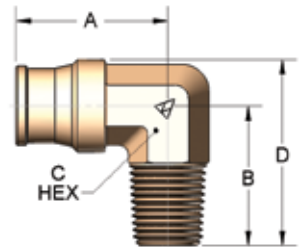
Part Number	Tube O.D.	A	B	C	D	E
AQ698-DOTS-5/32 *	5/32	0.79	0.46	3/8	0.64	1.04
AQ698-DOTS-4 *	1/4	0.99	0.48	3/8	0.70	1.05
AQ698-DOTS-6 *	3/8	1.08	0.63	1/2	0.92	1.35
AQ698-DOTS-8 *	1/2	1.26	0.77	5/8	1.13	1.66



Series AQ-DOT Brass Push-In Fittings

AQ69-DOT MALE ELBOW

Part Number	Tube O.D.	Pipe	A	B	C	D
AQ69-DOT-5/32X2	5/32	1/8	0.78	0.69	5/16	0.89
AQ69-DOT-4X2	1/4	1/8	1.01	0.79	3/8	0.99
AQ69-DOT-4X4	1/4	1/4	1.05	0.84	3/8	1.07
AQ69-DOT-4X6	1/4	3/8	1.10	0.98	1/2	1.27
AQ69-DOT-6X2	3/8	1/8	1.00	0.80	1/2	1.12
AQ69-DOT-6X4	3/8	1/4	1.10	0.98	1/2	1.29
AQ69-DOT-6X6	3/8	3/8	1.08	0.98	1/2	1.31
AQ69-DOT-6X8	3/8	1/2	1.14	1.20	5/8	1.56
AQ69-DOT-8X4	1/2	1/4	1.26	1.05	5/8	1.44
AQ69-DOT-8X6	1/2	3/8	1.26	1.05	5/8	1.44
AQ69-DOT-8X8	1/2	1/2	1.25	1.26	5/8	1.64
AQ69-DOT-10X6	5/8	3/8	1.25	1.26	5/8	1.59
AQ69-DOT-10X8	5/8	1/2	1.34	1.29	11/16	1.74
AQ69-DOT-12X8	3/4	1/2	1.32	1.36	15/16	1.90
AQ69-DOT-12X12	3/4	3/4	1.32	1.36	15/16	1.90

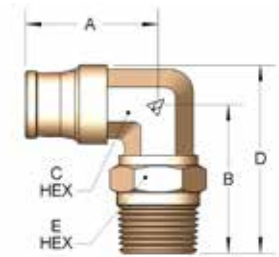


FITTINGS

Series AQ-DOT Brass Push-In Fittings

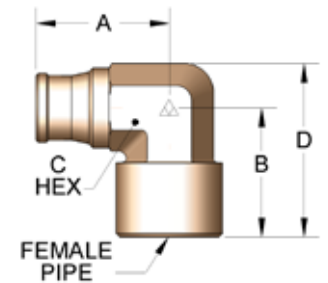
AQ69-DOTS SWIVEL MALE ELBOW

Part Number	Tube O.D.	Pipe	A	B	C	D	E
AQ69-DOTS-5/32X2	5/32	1/8	0.79	0.88	3/8	1.10	7/16
AQ69-DOTS-5/32X4 *	5/32	1/4	0.79	1.08	3/8	1.29	9/16
AQ69-DOTS-4X2	1/4	1/8	0.94	0.90	3/8	1.13	7/16
AQ69-DOTS-4X4	1/4	1/4	0.99	1.09	3/8	1.33	9/16
AQ69-DOTS-4X6	1/4	3/8	1.02	1.13	3/8	1.37	11/16
AQ69-DOTS-6X2	3/8	1/8	1.05	1.06	1/2	1.39	7/16
AQ69-DOTS-6X4	3/8	1/4	1.08	1.14	1/2	1.46	9/16
AQ69-DOTS-6X6	3/8	3/8	1.10	1.23	1/2	1.55	11/16
AQ69-DOTS-6X8	3/8	1/2	1.10	1.53	1/2	1.85	7/8
AQ69-DOTS-8X4	1/2	1/4	1.26	1.26	5/8	1.65	9/16
AQ69-DOTS-8X6	1/2	3/8	1.26	1.31	5/8	1.70	11/16
AQ69-DOTS-8X8	1/2	1/2	1.25	1.61	5/8	2.00	7/8
AQ69-DOTS-10X6	5/8	3/8	1.54	1.41	11/16	1.86	11/16
AQ69-DOTS-10X8	5/8	1/2	1.54	1.71	11/16	2.16	7/8
AQ69-DOTS-12X8	3/4	1/2	1.40	2.04	15/16	2.46	1-1/16
AQ69-DOTS-12X12	3/4	3/4	1.40	1.60	15/16	2.14	1-1/16



AQ70-DOT FEMALE ELBOW

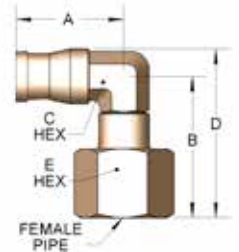
Part Number	Tube O.D.	Female Pipe	A	B	C	D
AQ70-DOT-4X2	1/4	1/8	1.02	0.83	3/8	1.06
AQ70-DOT-4X4	1/4	1/4	1.13	1.03	1/2	1.31
AQ70-DOT-4X6 *	1/4	3/8	1.27	0.99	5/8	1.35
AQ70-DOT-6X4	3/8	1/4	1.08	0.98	1/2	1.31
AQ70-DOT-6X6	3/8	3/8	1.08	1.05	5/8	1.41
AQ70-DOT-8X8 *	1/2	1/2	1.37	1.31	5/8	1.70



Series AQ-DOT Brass Push-In Fittings

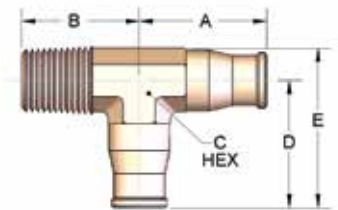
AQ70-DOTS SWIVEL FEMALE ELBOW

Part Number	Tube O.D.	Female Pipe	A	B	C	D	E
AQ70-DOTS-4X4	1/4	1/4	0.97	1.25	3/8	1.49	3/4



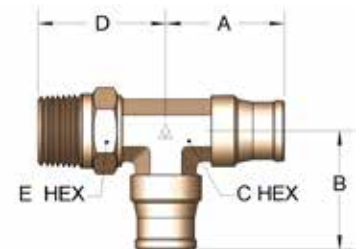
AQ71-DOT MALE RUN TEE

Part Number	Tube O.D.	Pipe	A	B	C	D	E
AQ71-DOT-4X2	1/4	1/8	1.02	0.75	3/8	1.02	1.24
AQ71-DOT-4X4	1/4	1/4	1.02	0.92	7/16	1.02	1.27
AQ71-DOT-6X4	3/8	1/4	1.08	0.98	1/2	1.08	1.40
AQ71-DOT-6X6	3/8	3/8	1.08	0.98	1/2	1.08	1.31
AQ71-DOT-8X6 *	1/2	3/8	1.26	1.05	5/8	1.26	1.55



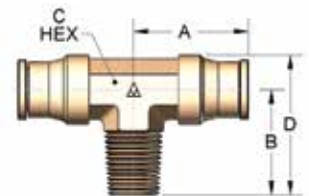
AQ71-DOTS SWIVEL MALE RUN TEE

Part Number	Tube O.D.	Pipe	A	B	C	D	E
AQ71-DOTS-4X2	1/4	1/8	1.02	1.02	3/8	1.01	7/16
AQ71-DOTS-4X4	1/4	1/4	1.02	1.02	7/16	1.08	9/16
AQ71-DOTS-6X4	3/8	1/4	1.04	1.04	1/2	1.15	9/16
AQ71-DOTS-6X6	3/8	3/8	1.06	1.06	1/2	1.17	11/16
AQ71-DOTS-8X6	1/2	3/8	1.24	1.24	5/8	1.28	11/16
AQ71-DOTS-8X8	1/2	1/2	1.24	1.24	5/8	1.58	7/8



AQ72-DOT MALE BRANCH TEE

Part Number	Tube O.D.	Pipe	A	B	C	D
AQ72-DOT-4X2	1/4	1/8	1.02	0.75	3/8	0.98
AQ72-DOT-4X4	1/4	1/4	1.02	0.92	7/16	1.17
AQ72-DOT-6X4	3/8	1/4	1.08	0.99	1/2	1.31
AQ72-DOT-6X6	3/8	3/8	1.09	0.99	1/2	0.31
AQ72-DOT-8X4 *	1/2	1/4	1.26	1.07	5/8	1.45
AQ72-DOT-8X6	1/2	3/8	1.26	1.07	5/8	1.45

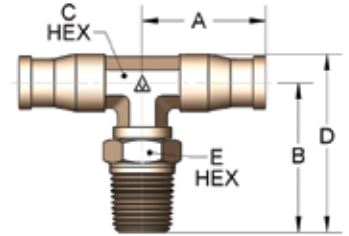


FITTINGS

Series AQ-DOT Brass Push-In Fittings

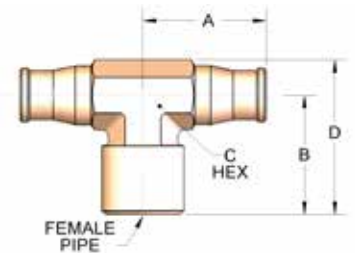
AQ72-DOTS SWIVEL MALE BRANCH TEE

Part Number	Tube O.D.	Pipe	A	B	C	D	E
AQ72-DOTS-4X2	1/4	1/8	1.02	1.04	3/8	1.28	7/16
AQ72-DOTS-4X4	1/4	1/4	1.01	1.04	3/8	1.30	9/16
AQ72-DOTS-6X2	3/8	1/8	1.08	1.07	1/2	1.40	7/16
AQ72-DOTS-6X4	3/8	1/4	1.06	1.17	1/2	1.50	9/16
AQ72-DOTS-8X4	1/2	1/4	1.26	1.28	5/8	1.67	9/16
AQ72-DOTS-8X6	1/2	3/8	1.26	1.31	5/8	1.70	11/16
AQ72-DOTS-8X8	1/2	1/2	1.26	1.61	5/8	2.00	7/8



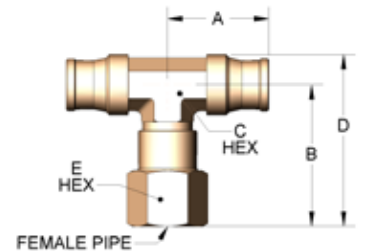
AQ77-DOT FEMALE BRANCH TEE

Part Number	Tube O.D.	Female Pipe	A	B	C	D
AQ77-DOT-4X2	1/4	1/8	1.02	0.82	1/2	1.11
AQ77-DOT-4X4	1/4	1/4	1.08	0.97	1/2	1.26
AQ77-DOT-6X4	3/8	1/4	1.09	0.98	1/2	1.31
AQ77-DOT-6X6 *	3/8	3/8	1.40	1.30	11/16	1.70



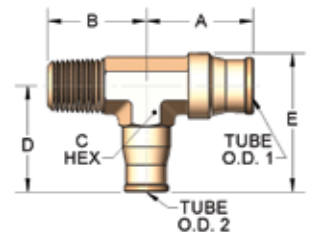
AQ77-DOTS SWIVEL FEMALE BRANCH TEE

Part Number	Tube O.D.	Female Pipe	A	B	C	D	E
AQ77-DOTS-4X2 *	1/4	1/8	1.02	1.13	3/8	1.36	9/16
AQ77-DOTS-4X4 *	1/4	1/4	1.02	1.29	3/8	1.52	3/4
AQ77-DOTS-6X4 *	3/8	1/4	1.08	1.16	1/2	1.49	3/4



AQ78-DOT REDUCING MALE RUN TEE

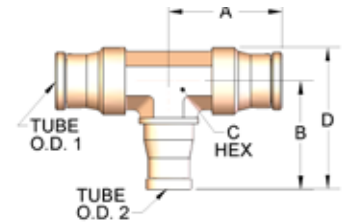
Part Number	Tube O.D. 1	Tube O.D. 2	Pipe	A	B	C	D	E
AQ78-DOT-6X4X4 *	3/8	1/4	1/4	1.08	0.98	1/2	1.08	1.48



Series AQ-DOT Brass Push-In Fittings

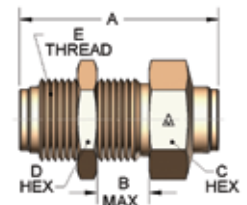
AQ79-DOT UNION REDUCING TEE

Part Number	Tube O.D. 1	Tube O.D 2	A	B	C	D
AQ79-DOT-4X6	1/4	3/8	1.00	1.08	1/2	1.23
AQ79-DOT-6X5/32	3/8	5/32	1.08	0.85	1/2	1.08
AQ79-DOT-6X4	3/8	1/4	1.08	1.04	1/2	1.37



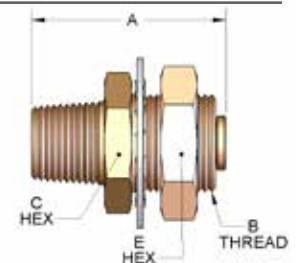
AQ82-DOT BULKHEAD UNION

Part Number	Tube O.D. 1	A	B	C	D	E Thread
AQ82-DOT-4	1/4	1.90	1.00	11/16	11/16	1/2-20
AQ82-DOT-6	3/8	1.85	1.00	15/16	15/16	3/4-16
AQ82-DOT-8	1/2	2.05	1.82	15/16	1-1/8	15/16-16
AQ82-DOT-10	5/8	2.05	0.94	1-1/4	1-3/8	1/14



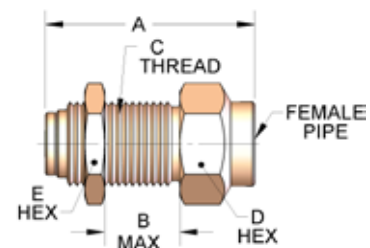
AQ83-DOT GLADHAND BULKHEAD CONNECTOR

Part Number	Tube O.D. 1	Pipe	A	B	C	D
AQ83-DOT-6X8 *	3/8	1/2	1.99	1-14	1-3/8	1-1/4
AQ83-DOT-8X8	1/2	1/2	1.99	1-14	1-3/8	1-1/4



AQ86-DOT FEMALE BULKHEAD UNION

Part Number	Tube O.D.	Female Pipe	A	B	C Thread	D	E
AQ86-DOT-4X2	1/4	1/8	1.32	0.64	1/2-20	11/16	11/16
AQ86-DOT-4X4	1/4	1/4	1.56	0.64	1/2-20	11/16	11/16
AQ86-DOT-6X4	3/8	1/4	1.87	1.00	3/4-16	15/16	15/16
AQ86-DOT-6X6	3/8	3/8	1.87	1.00	3/4-16	15/16	15/16
AQ86-DOT-8X6	1/2	3/8	2.04	1.00	15/16-16	1-1/8	1 3/8



FITTINGS

Series 100 Pipe Fittings

Pressure: 3000 PSI

Material of Shapes: Forged SAE CA377 Brass

Material of Straights: SAE C360 Brass

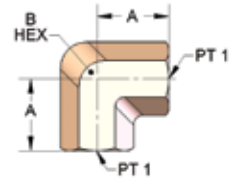
Meets all SAE brass pipe fittings standards



Series 100 Pipe Fittings

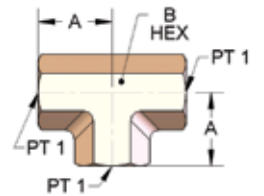
100A 90° UNION ELBOW

Part Number	PT 1	Min. Orifice Size	A	B. Hex
100A-2X2	1/8	0.328	0.546	9/16
100A-4X4	1/4	0.438	0.781	11/6
100A-6X6	3/8	0.563	0.840	15/16
100A-8X8	1/2	0.702	1.090	1-1/16



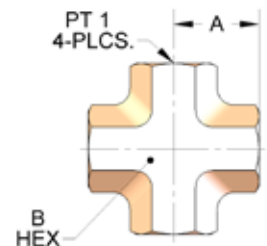
101A UNION TEE

Part Number	PT 1	Min. Orifice Size	A	B. Hex
101A-2X2	1/8	0.328	0.546	9/16
101A-4X4	1/4	0.438	0.781	11/16
101A-6X6	3/8	0.563	0.840	15/16
101A-8X8	1/2	0.702	1.09	1-1/16



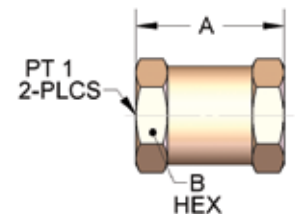
102A CROSS

Part Number	PT 1	Min. Orifice Size	A	B Hex
102A-2	1/8	0.328	0.546	9/16
102A-4	1/4	0.438	0.781	11/16
102A-6	3/8	0.563	0.840	15/16
102A-8	1/2	0.702	1.090	1-1/16



103A COUPLING

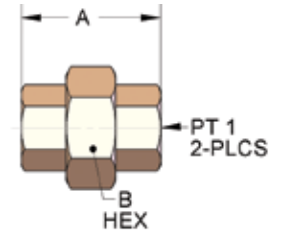
Part Number	PT 1	A	B HEX
103A-2	1/8	0.750	9/16
103A-4	1/4	1.120	3/4
103A-6	3/8	1.125	7/8
103A-8	1/2	1.500	1-1/16



Series 100 Pipe Fittings

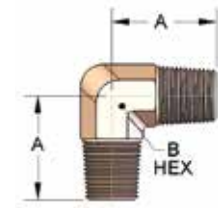
104A UNION

Part Number	PT 1	Min. Orifice Size	A	B HEX
104A-2	1/8	0.328	1.265	15/16
104A-4	1/4	0.437	1.468	1-1/16
104A-6	3/8	0.562	1.625	1-5/16



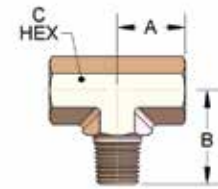
106A FORGED MALE ELBOW

Part Number	PT 1	A	B HEX
106A-2	1/8	0.690	5/16
106A-4	1/4	1.000	1/2
106A-6	3/8	1.060	5/8
106A-8	1/2	1.280	11/16



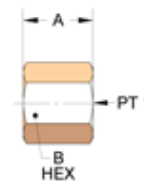
107A BRANCH TEE

Part Number	PT 1	A	B	C Hex
107A-2	1/8	0.55	0.82	9/16
107A-4	1/4	0.78	1.08	11/16
107A-6	3/8	0.84	1.23	15/16
107A-8	1/2	1.09	1.49	1-1/16



108A CAP

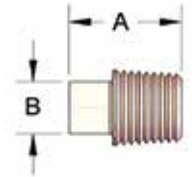
Part Number	PT 1	A	B HEX
108A-2	1/8	0.500	9/16
108A-4	1/4	0.750	3/4
108A-6	3/8	0.875	7/8
108A-8	1/2	1.063	1-1/16



Series 100 Pipe Fittings

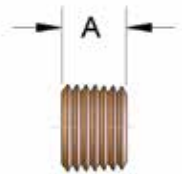
109A SQUARE-HEAD PLUG

Part Number	PT 1	A	B Square
109A-2	1/8	0.709	9/32
109A-4	1/4	0.813	3/8
109A-6	3/8	0.849	7/16
109A-8	1/2	1.078	9/16



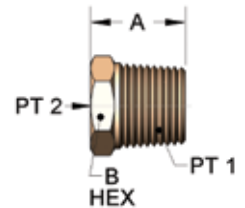
109AL COUNTERSUNK HEX-HEAD PLUG

Part Number	PT 1	A
109AL-2	1/8	0.300
109AL-4	1/4	0.400
109AL-6	3/8	0.400
109AL-8	1/2	0.550



110A BUSHING

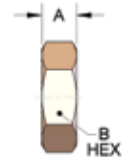
Part Number	PT 1	PT 2	Min. Orifice Size	A	B HEX
110A-4X2	1/4	1/8	0.328	0.75	9/16
110A-6X2	3/8	1/8	0.328	0.75	11/16
110A-6X4	3/8	1/4	0.438	0.75	3/4
110A-8X2	1/2	1/8	0.328	1.00	7/8
110A-8X4	1/2	1/4	0.438	1.00	7/8
110A-8X6	1/2	3/8	0.563	1.00	7/8
110A-12X4	3/4	1/4	0.438	1.00	1-1/8
110A-12X6	3/4	3/8	0.563	1.00	1-1/8
110A-12X8	3/4	1/2	0.702	1.00	1-1/8



Series 100 Pipe Fittings

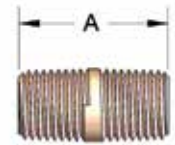
111A LOCK NUT

Part Number	PT 1	A	B HEX
111A-2	1/8	0.187	5/8
111A-4	1/4	0.250	11/16
111A-6	3/8	0.250	15/16
111A-8	1/2	0.250	1-1/8



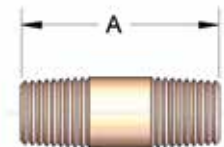
112A 90° CLOSE NIPPLE

Part Number	PT 1	Min. Orifice Size	A
112A-2	1/8	0.281	0.750
112A-4	1/4	0.375	1.125
112A-6	3/8	0.500	1.125
112A-8	1/2	0.625	1.500
112A-12	3/4	0.750	1.500



113A LONG NIPPLE

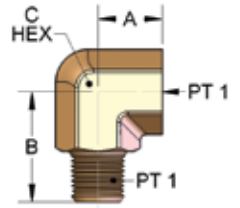
Part Number	PT 1	Min. Orifice Size	A	Part Number	PT 1	Min. Orifice Size	A
113A-2X24	1/8	0.265	1.500	113A-6X24	3/8	0.500	1.500
113A-2X32	1/8	0.265	2.000	113A-6X32	3/8	0.500	2.000
113A-2X40	1/8	0.265	2.500	113A-6X40	3/8	0.500	2.500
113A-2X48	1/8	0.265	3.000	113A-6X48	3/8	0.500	3.000
113A-2X56	1/8	0.265	3.500	113A-6X56	3/8	0.500	3.500
113A-4X24	1/4	0.375	1.500	113A-8X24	1/2	0.625	1.500
113A-4X32	1/4	0.375	2.000	113A-8X32	1/2	0.625	2.000
113A-4X40	1/4	0.375	2.500	113A-8X40	1/2	0.625	2.500
113A-4X48	1/4	0.375	3.000	113A-8X48	1/2	0.625	3.000
113A-4X56	1/4	0.375	3.500	113A-8X56	1/2	0.625	3.500



Series 100 Pipe Fittings

116A 90° STREET ELBOW

Part Number	PT 1	PT2	Min. Orifice Size	A	B	C Hex
116A-2X2	1/8	1/8	0.219	0.480	0.812	9/16
116A-4X2	1/4	1/8	0.219	0.718	0.900	11/16
116A-4X4	1/4	1/4	0.312	0.718	1.031	11/6
116A-6X6	3/8	3/8	0.438	0.780	1.187	15/16
116A-8X8	1/2	1/2	0.562	1.090	1.437	1-1/16



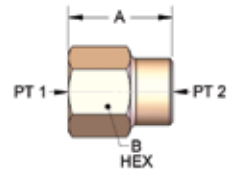
117A SLOTTED HEAD PLUG

Part Number	PT 1	A
117A-2	1/8	0.320
117A-4	1/4	0.469



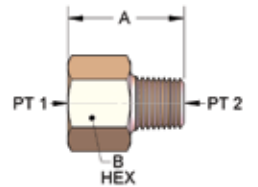
119A REDUCING ADAPTER

Part Number	PT 1	PT 2	A	B HEX
119A-4X2	1/4	1/8	0.970	3/4
119A-6X4	3/8	1/4	1.160	7/8
119A-8X4	1/2	1/4	1.280	1-1/16
119A-8X6	1/2	3/8	1.375	1-1/16
119A-12X8	3/4	1/2	1.750	1-3/8



120A ADAPTER

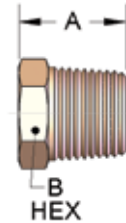
Part Number	PT 1	PT 2	Min. Orifice Size	A	B HEX
120A-2X2	1/8	1/8	0.219	0.906	9/16
120A-4X2	1/4	1/8	0.219	1.063	3/4
120A-4X4	1/4	1/4	0.312	1.250	3/4
120A-6X2	3/8	1/8	0.219	1.070	7/8
120A-6X4	3/8	1/4	0.312	1.250	7/8
120A-6X6	3/8	3/8	0.438	1.250	7/8
120A-8X6	1/2	3/8	0.438	1.469	1-1/16
120A-8X8	1/2	1/2	0.562	1.660	1-1/16



Series 100 Pipe Fittings

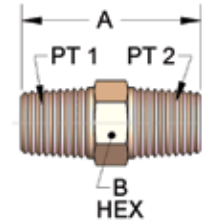
121A HEX-HEAD PLUG

Part Number	PT 1	A	B HEX
121A-2	1/8	0.531	7/16
121A-4	1/4	0.750	9/16
121A-6	3/8	0.772	11/16
121A-8	1/2	0.969	7/8
121A-12	3/4	1.062	1-1/16



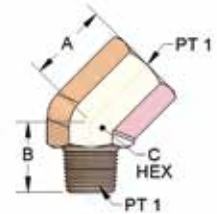
122 HEX NIPPLE

Part Number	PT 1	PT 2	Min. Orifice Size	A	B HEX
122A-2X2	1/8	1/8	0.219	0.906	7/16
122A-4X2	1/4	1/8	0.219	1.190	9/16
122A-4X4	1/4	1/4	0.312	1.375	9/16
122A-6X4	3/8	1/4	0.312	1.406	11/16
122A-6X6	3/8	3/8	0.438	1.406	11/16
122A-8X4	1/2	1/4	0.312	1.620	7/8
122A-8X6	1/2	3/8	0.438	1.620	7/8
122A-8X8	1/2	1/2	0.562	1.812	7/8



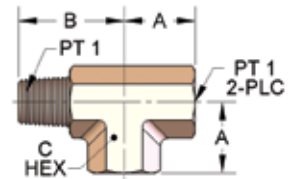
124A 45° STREET NIPPLE

Part Number	PT 1	Min. Orifice Size	A	B	C HEX
124A-2X2	1/8	0.219	0.750	0.687	9/16
124A-4X4	1/4	0.312	0.875	0.781	11/16
124A-6X6	3/8	0.438	1.000	0.875	15/16
124A-8X8	1/2	0.562	1.125	1.218	1-1/16



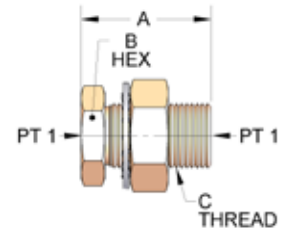
127A STREET TEE

Part Number	PT 1	Min. Orifice Size	A	B	C HEX
127A-2	1/8	0.219	0.550	0.820	9/16
127A-4	1/4	0.313	0.781	1.156	11/16
127A-6	3/8	0.438	0.840	1.230	15/16
127A-8	1/2	0.562	1.090	1.490	1-1/16



129A BULKHEAD ADAPTER

Part Number	PT 1	C Thread	Min. Orifice Size	A	B HEX
129A-2X24	1/8	5/8-18	0.328	1.500	7/8
129A-4X15	1/4	3/4-16	0.421	0.940	1"
129A-4X24	1/4	3/4-16	0.440	1.500	1"
129A-6X21	3/8	1-14	0.562	1.310	1-1/8
129A-8X24	1/2	1 1/8-14	0.700	1.500	1-1/4



Alkon Trans-DOT Valves

The options are endless.

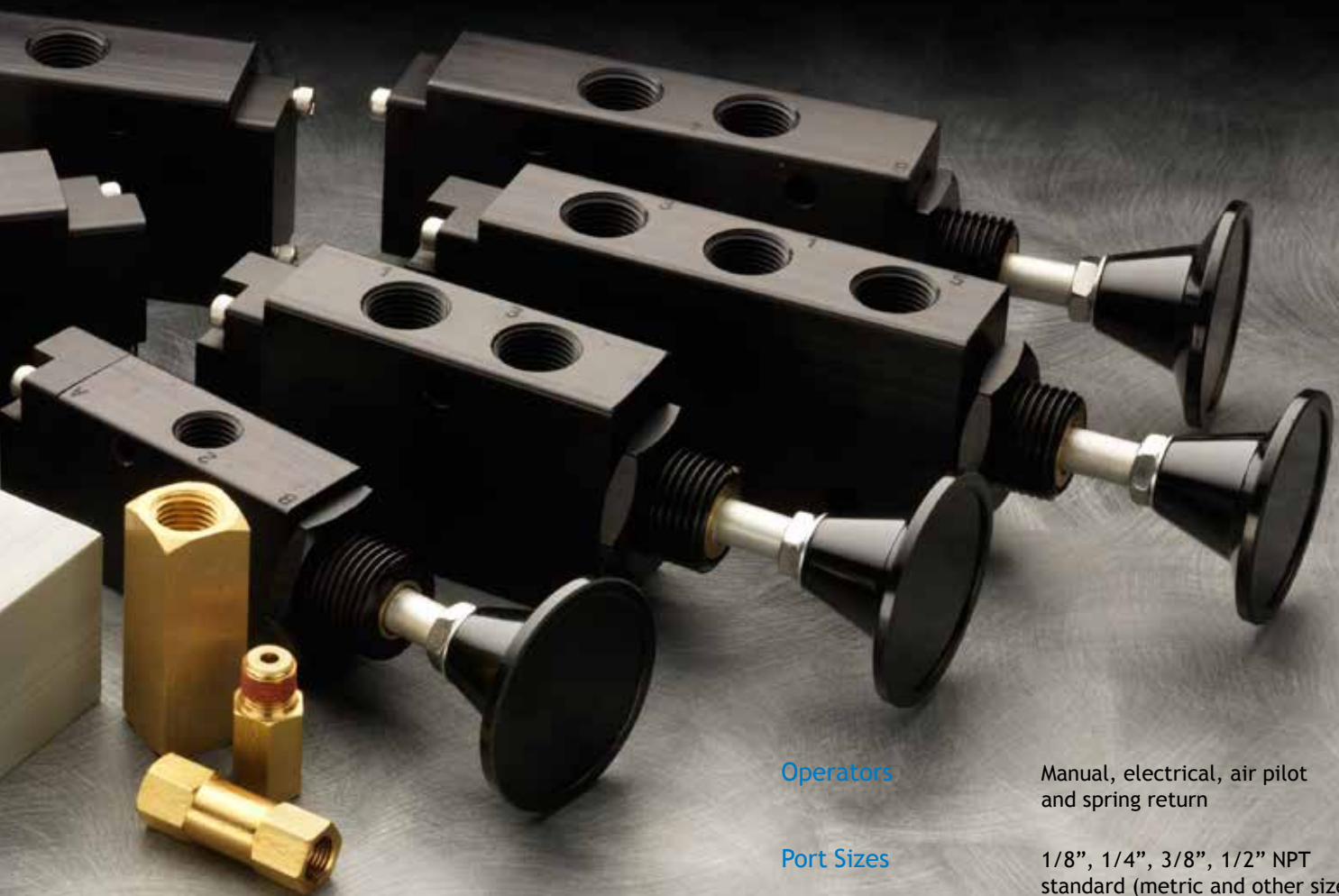
Trans-DOT valves are revolutionizing the industry, delivering the highest quality at competitive prices. Based on a successful Alkon industrial design, Trans-DOT valves come in a large flow range for standard and low-temperature applications and are developed to perform in even the harshest environments.

Alkon offers all the options you need, with everything from simple open/close functions to highly precise motion controls. Valves can be panel or inline mounted and operated electrically, manually or via air pilot.



SPECIFICATIONS

Applications	Transportation: air brake systems, air suspensions and cabin controls for trucks, trailers, RVs, buses, and all transit and rail uses	Functions	2/2, 3/2, 5/2, and 5/3 blocked and exhausted center
Flow	.5 - 4.00 Cv	Material	Aluminum anodized bodies and aluminum spools



Mounting

Inline mount, panel mount/through hole

Operating pressure

See product specification.

Operators

Manual, electrical, air pilot and spring return

Port Sizes

1/8", 1/4", 3/8", 1/2" NPT standard (metric and other sizes available on request)

Temperatures

See product specification.

Pilot Pressure

40 psi standard, consult factory for other.

FCV/MCV Series Inline Check Valves

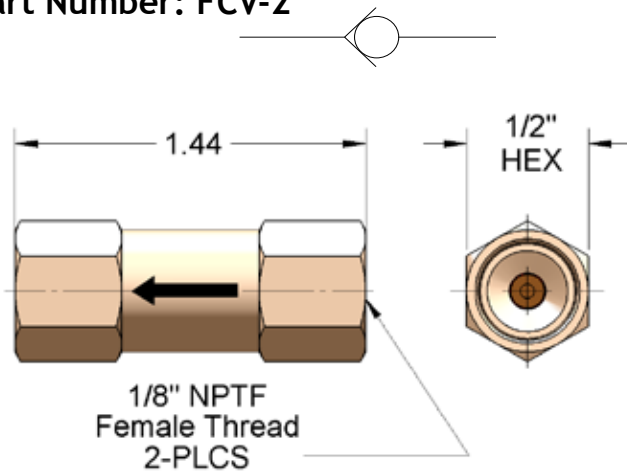
1/8" NPT

The Trans-DOT FCV/MCV Series check valve is a compact design providing a positive seal at very low back pressure. Its 200 psi maximum operating pressure makes it an excellent choice for a wide range of applications. FCV/MCV check valves incorporate a piston with an embedded seal that seals on the seat. Pressure in the flow direction moves the piston and seal off the seat and allows airflow through the valve. Pre-applied Loctite-Vibra Seal 516® is standard on all male NPT threads.

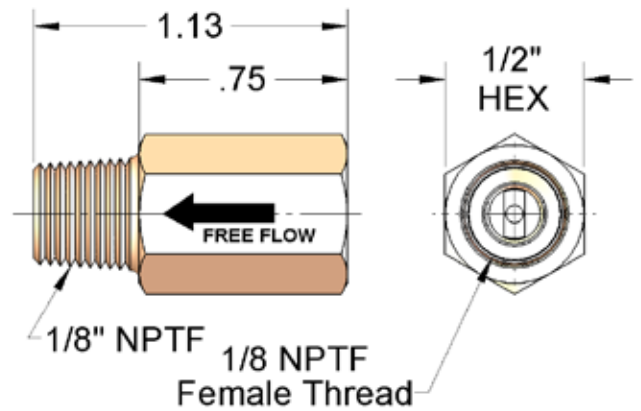
SPECIFICATIONS

Material	Brass body, Buna-N seal, stainless steel stem and spring	Flow	Cv = .40 (12 scfm @ 80 psi)
Mounting	Direct or inline mount	Seat	Buna-N
Medium	Air	Temperature	-40° F to +180° F
Pressure	200 psi max.		
Pressure to open	3-5 psi cracking		
Flow direction	Arrow on valve body indicates direction of flow		

Part Number: FCV-2



Part Number: MCV-2



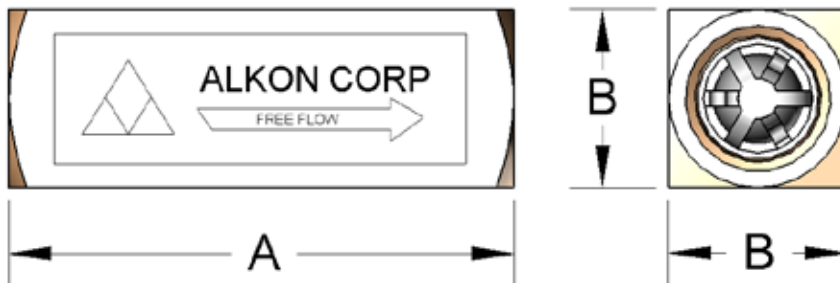
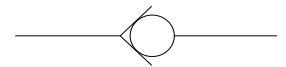
JC Series Inline Check Valves

JC Series check valves are designed to provide high flow with minimal cracking pressure. With 2000 psi maximum operating pressure, they perform well in a wide range of air and hydraulic applications. Trans-DOT JC Series check valves have female-to-female, NPT-threaded port connections. Pressure in the flow direction moves the ball off the machined seat and exposes airflow through the valve.

SPECIFICATIONS

Material	Brass body, stainless steel ball and spring	Flow	Cv = .65 to 5.00 (see chart for details)
Mounting	Inline mount	Seat	Machined brass seat to stainless ball
Medium	Air/hydraulic	Temperature	-40° F to +250° F
Pressure	2000 psi max.		
Pressure to open	2 psi cracking		
Flow direction	Arrow on valve body indicates direction of flow		

PART NUMBER	Size (NPT)	A	B	Orifice	Cv
JC1	1/8	1.47	0.56	0.21	0.65
JC2	1/4	1.94	0.69	0.28	1.35
JC3	3/8	2.31	0.88	0.42	3.25
JC4	1/2	3.25	1.19	0.52	5.00

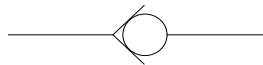


MC Series Inline Check Valves

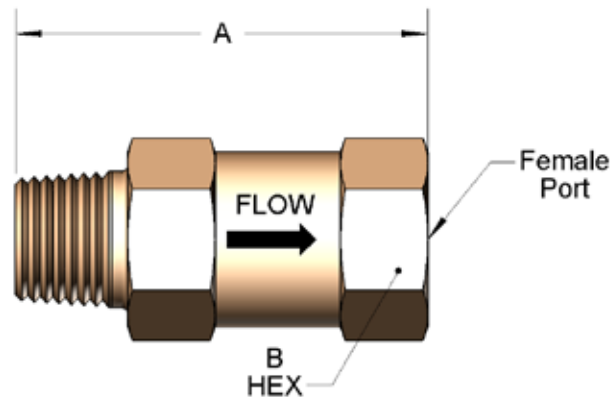
Trans-DOT MC Series check valves are designed to provide high flow with minimal cracking pressure. With 2000 psi maximum operating pressure, they cover a wide range of air and hydraulic applications. MC Series check valves have male-to-female NPT-threaded port connections. Pressure in the flow direction moves the ball off the machined seat and exposes airflow through the valve. Pre-applied Loctite-Vibra Seal 516® is standard on all male NPT threads.

SPECIFICATIONS

Material	Brass body, stainless steel ball and spring	Flow	Cv = 1.35 to 5.00 (see chart for details)
Mounting	Direct or inline mount	Seat	Machined brass seat to stainless ball
Medium	Air/hydraulic	Temperature	-40°F to +250°F
Pressure	2000 psi max		
Pressure to open	2 psi cracking		
Flow direction	Arrow on valve body indicates direction of flow		



PART NUMBER	Size (NPT)	A	B	Orifice	Cv
MC4	1/4	1.94	0.69	0.28	1.35
MC6	3/8	2.31	0.88	0.42	3.25
MC8	1/2	3.25	1.19	0.52	5.00



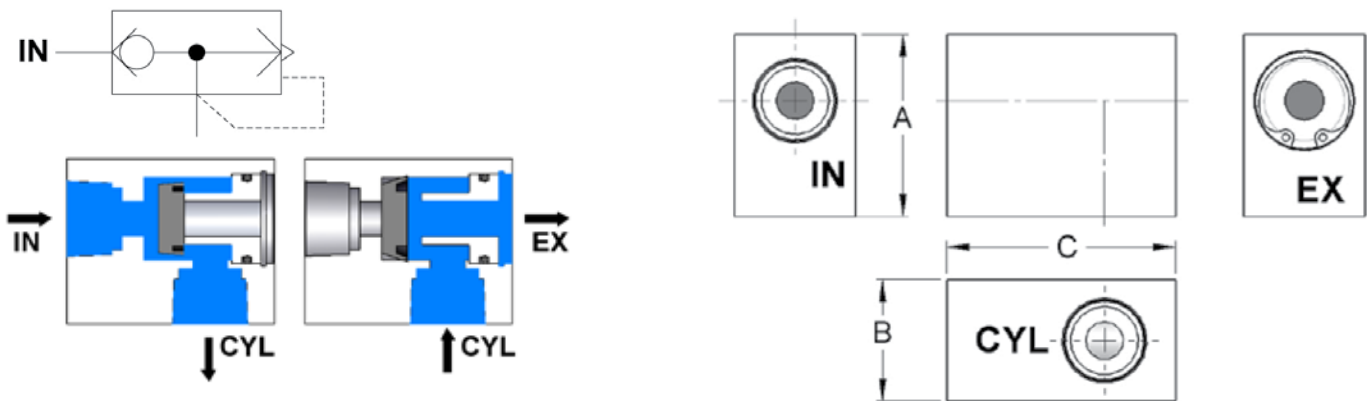
Quick Exhaust (QE) Valves

Trans-DOT quick exhaust valves are used to quickly exhaust air at the cylinder ports/air spring ports, rather than porting the exhaust all the way back through the valve. They are often used to speed up an operation.

SPECIFICATIONS

Material	Clear anodized aluminum,	Flow	See chart
Mounting	Direct mount or inline mount	Seat	Low-temp Buna-N
Medium	Air	Temperature	-40° F to +180° F
Pressure	150 psi max. supply		
Pressure to open	5 psi		
Flow Direction	Ports labeled IN, CYL, EX		

PART NUMBER	Port Size	A	B	C	Cv to Cyl	Cv to Exl
QE2	1/8" NPT	1.00	0.75	1.13	1.10	1.38
QE4	1/4" NPT	1.50	1.00	1.89	2.65	3.10
QE6	3/8" NPT	1.50	1.00	1.89	2.65	3.10





Pressure Protection Valves

A pressure protection valve is used to protect the system air supply from dropping below the minimum opening pressure of the valve due to air loss from downstream applications. A typical application would be in an air brake system to protect a reservoir by closing automatically when a reservoir system failure occurs.

SPECIFICATIONS

Applications	Transportation: air brake systems, air suspensions and cabin controls for trucks, trailers, RVs, buses, and all transit and rail uses
Material	Anodized aluminum
Mounting	Inline mount. Consult factory for other mounts.
Pressure	40-90 psi cracking, 200 psi supply max
Sizes	1/4 NPT; ported
Temperatures	Approved for -40° F to 180° F

OPERATION

The valve is typically mounted to the tank via the inlet port. The dual pressure rating reflects the minimum opening pressure (higher psi) and closing pressure (lower psi). The optional downstream check prevents backflow through the pressure protection valve.

The pressure protection valve is a normally closed pressure-control valve. When supply air is greater than the set pressure, the valve opens and supplies air downstream. When air supply falls below the set pressure, the valve closes.

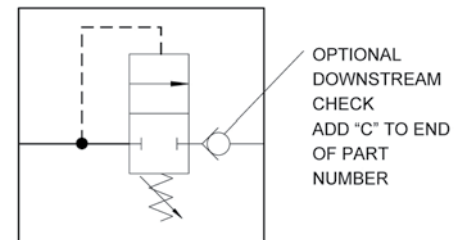
PVA44 Series Valves

PVA44 Series valves are 1/4" NPT ported valves. These valves are adjustable to pressures from 40-95 psi, which will be set at the factory to the pressure stated when ordering.

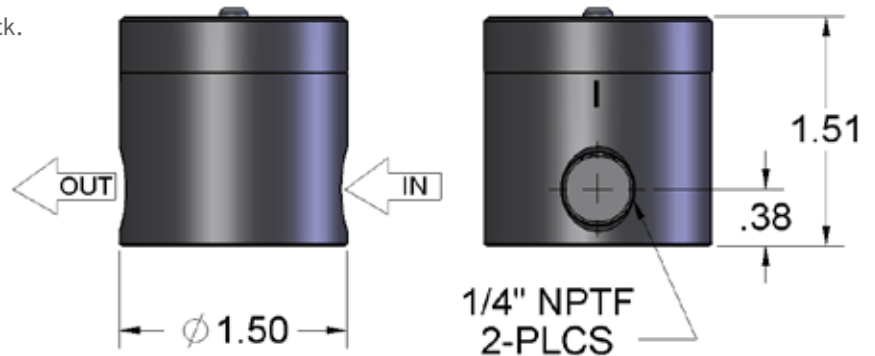
SPECIFICATIONS

Material	Black anodized aluminum, stainless spring	Flow direction	Arrow on valve body indicates direction of flow
Mounting	Direct mount or inline mount		Ports labeled "I = in"
Medium	Air		"O = out"
Pressure	200 psi max. supply	Flow	Cv = 1.0 (48 scfm fully open)
Pressure to open	Adjustable to 45-95 psi	Adjusting Screw	Stainless steel
Pressure to close	Adjustable to 40-90 psi	Diaphragm	Low-temp Buna
		Temperature	-40°F to +180°F

PART NUMBER	Suffix	Opens @	Closes @
PVA44	4	45 psi	40 psi
	5	55 psi	50 psi
	6	65 psi	60 psi
	8	85 psi	80 psi
	9	95 psi	90 psi



Add "C" to end of part number for downstream check.



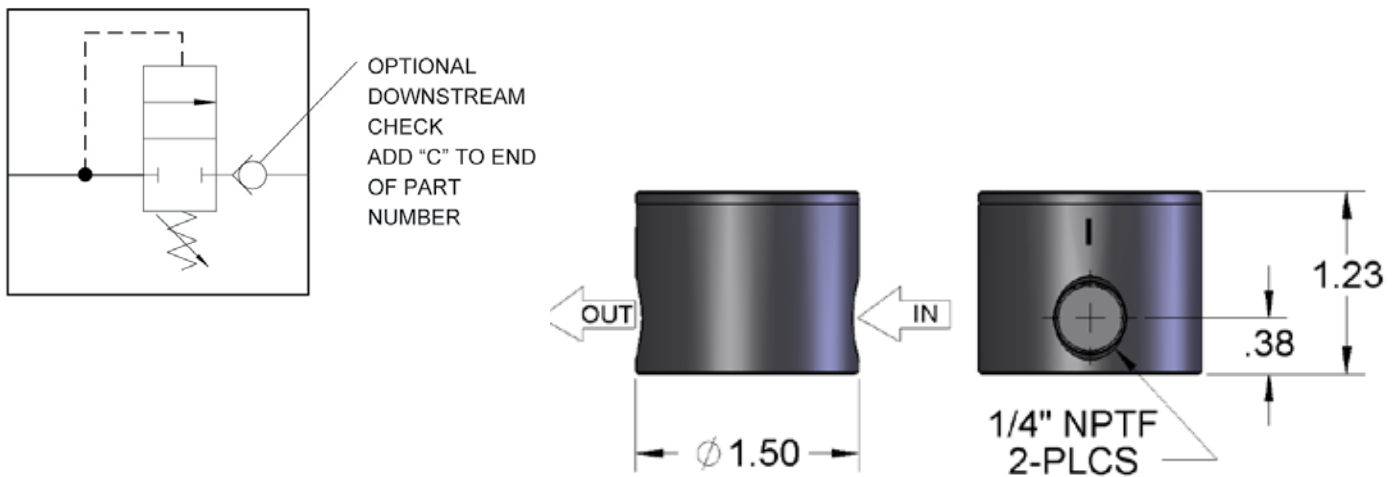
PVN447 Series Valves

The pressure protection valve is a non-adjustable closed pressure-control valve. When supply air is greater than 75 psi, the valve opens and supplies air downstream. When air supply falls below 70 psi, the valve closes. A typical application would be in an air brake system, to protect a reservoir by closing automatically at 70 psi when a reservoir system failure occurs.

SPECIFICATIONS

Material	Black anodized aluminum, stainless spring	Flow direction	Arrow on valve body indicates direction of flow
Mounting	Direct mount or inline mount		Ports labeled "I = in"
Medium	Air		"O = out"
Pressure	200 psi max. supply		Cv = 1.0 (48 scfm fully open)
Pressure to open	75 psi	Flow	Low-temp Buna
Pressure to close	70 psi	Diaphragm	-40°F to +180°F
		Temperature	

An optional downstream check can be added when ordering by adding a "C" to the end of the part number.





Alkon Trans-DOT. The Road to Reliability.

Trans-DOT Manual Valves



3/2 PUSH PULL

Page	Part No.	Port Size (NPT)
40	TD-2200	1/8"
41	TD-4200	1/4"
42	TD-6200	3/8"

3/2 PUSH PULL WITH AIR PILOT RESET

Page	Part No.	Port Size (NPT)
43	TD-2210	1/8"
44	TD-4210	1/4"
45	TD-6210	3/8"

3/2 PUSH WITH SPRING RETURN

Page	Part No.	Port Size (NPT)
46	TD-2280	1/8"
47	TD-4280	1/4"
48	TD-6280	3/8"

5/2 PUSH PULL

Page	Part No.	Port Size (NPT)
49	TD-2300	1/8"
50	TD-4300	1/4"
51	TD-6300	3/8"

5/2 PUSH PULL WITH AIR PILOT RESET

Page	Part No.	Port Size (NPT)
52	TD-2310	1/8"
53	TD-4310	1/4"
54	TD-6310	3/8"

5/2 PUSH WITH SPRING RETURN

Page	Part No.	Port Size (NPT)
55	TD-2380	1/8"
56	TD-4380	1/4"
57	TD-6380	3/8"

Manual Valves Options

- 

B = Black mushroom knob
1.81" diameter; available on all manual valves.
- 

G = Green mushroom knob
1.81" diameter; available on all manual valves.
- 

R = Red mushroom knob
1.81" diameter; available on all manual valves.
- 

M = Mini black knob
.75" diameter; available on all manual valves.
- 

P = Rubber protective boot (large knobs only)
Black Neoprene protective boot is available on all manual valves.
- 

S = Standard knob
This knob comes standard on all push/pull valves unless noted. Knob labels are included with this knob only. If a different knob is preferred, see options list above.





TD-2200 Series Valves

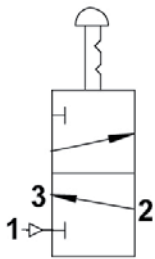
3/2 Push/Pull, 1/8" NPT Ports

Trans-DOT TD-2200 Series valves are 3-way, 1/8" NPT, 3-ported, 2-position, push/pull valves, detented in both positions. Air is normally supplied to port #1 but can also be supplied to port #3.

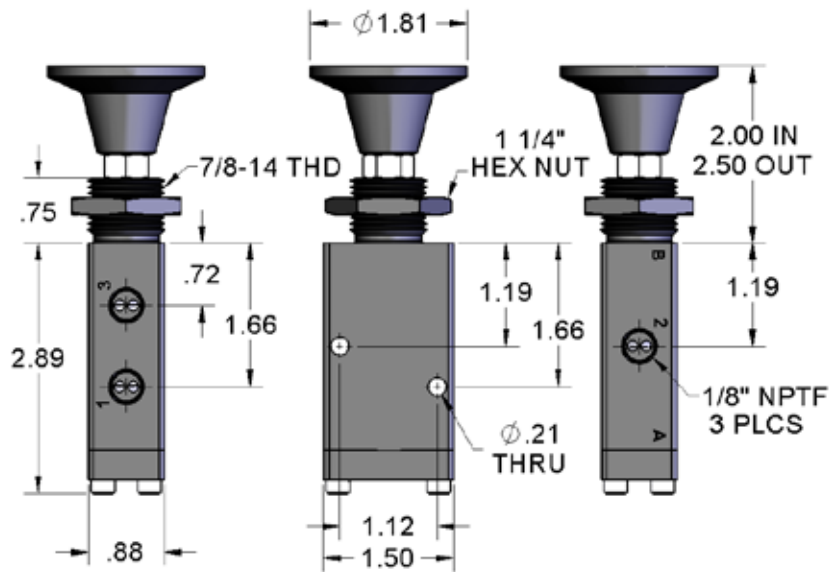
SPECIFICATIONS

Material	Black anodized aluminum, urethane seals	Temperature	-40°F to 180°F
Function	3/2 push/pull, detented	Options*	R = Red mushroom knob G = Green mushroom knob B = Black mushroom knob P = Protective boot
Mounting	Panel mount, Inline, or Thru hole mount		
Medium	Air		
Pressure	200 psi max. supply		
Flow	Cv = 0.6 (26 scfm fully open)		
Fasteners	Stainless steel		

*Add suffix to end of part number. See page 38 for option description.



Standard knob labels supplied.



TD-4200 Series Valves

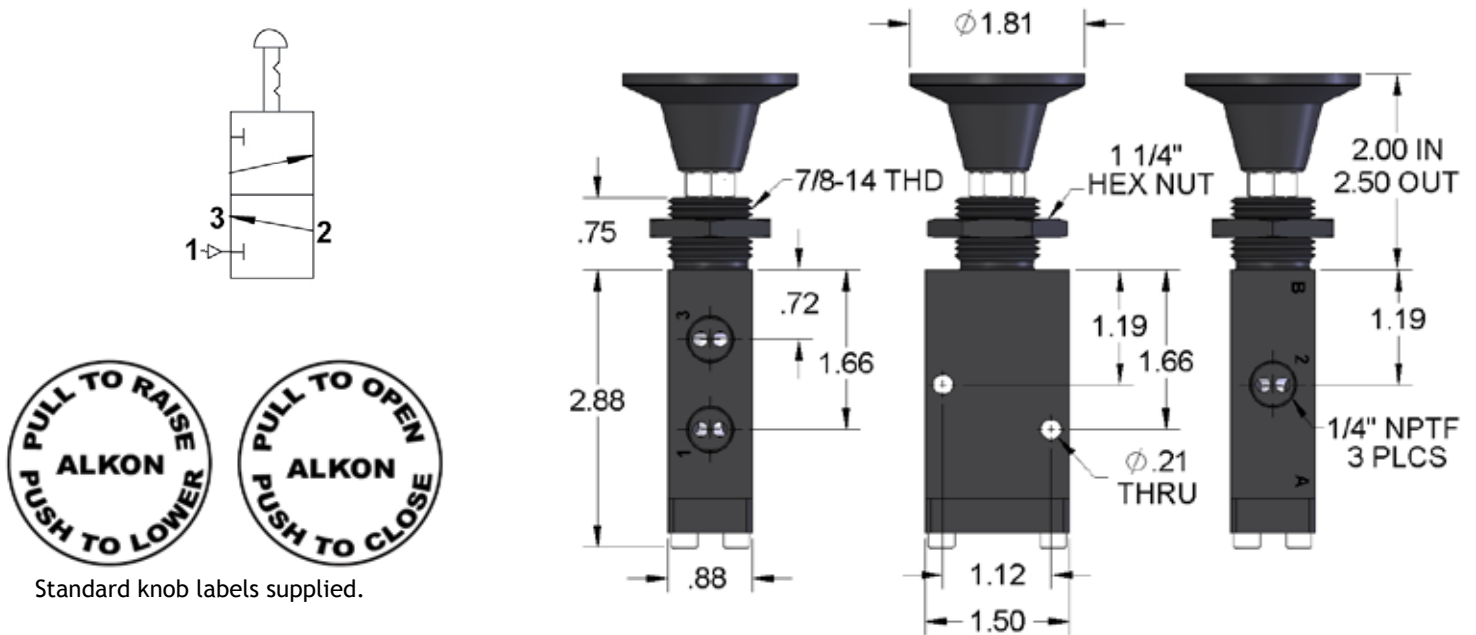
3/2 Push-Pull Valve, 1/4" NPT Ports

Trans-DOT TD-4200 Series valves are 3-way, 1/4" NPT, 3-ported, 2-position, push-pull valves detented in both positions. Air is normally supplied to port #1 but can also be supplied to port #3.

SPECIFICATIONS

Material	Black anodized aluminum, urethane seals	Temperature	-40°F to +180°F
Function	5/2 push-pull, detented	Options*	R = Red mushroom knob G = Green mushroom knob B = Black mushroom knob P = Protective boot
Mounting	Panel mount, Inline, or Thru hole mount		
Medium	Air		
Pressure	200 psi max supply		
Flow	Cv = 1.0 (48 scfm fully open)		
Fasteners	Stainless steel		

*Add suffix to end of part number. See page 38 for option description.



TD-6200 Series Valves

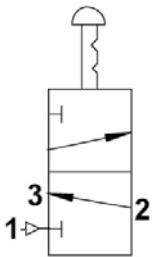
3/2 Push/Pull, 3/8" NPT Ports

TD-6200 Series valves are 3-way, 3/8" NPT, 3-ported, 2-position, push/pull valves detented in both positions. Air is normally supplied to port #1 but can also be supplied to port #3.

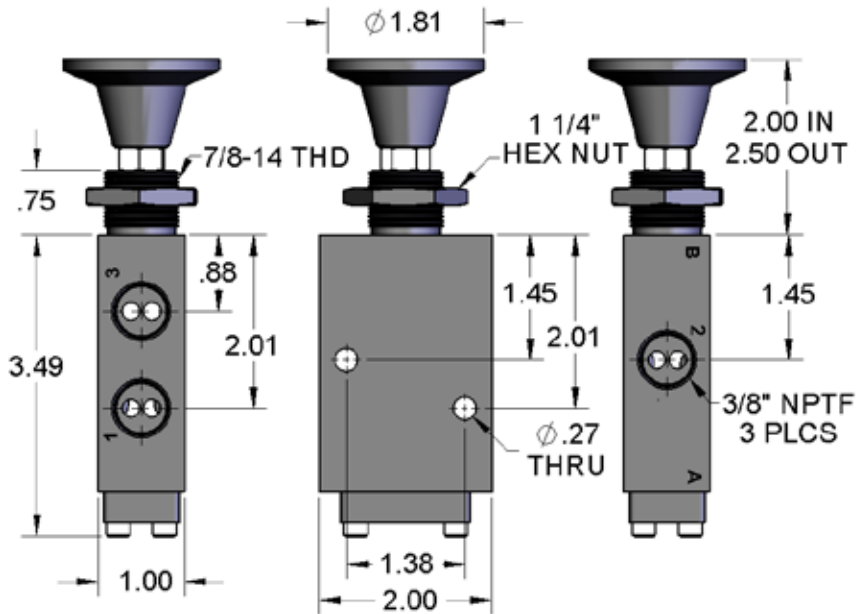
SPECIFICATIONS

Material	Black anodized aluminum, urethane seals	Temperature	-40° F to +180° F
Function	3/2 push/pull, detented	Options*	R = Red mushroom knob G = Green mushroom knob B = Black mushroom knob P = Protective boot
Mounting	Panel mount, Inline, or Thru hole mount		
Medium	Air		
Pressure	200 psi max. supply		
Flow	Cv = 2.0 (96 scfm fully open)		
Fasteners	Stainless steel		

*Add suffix to end of part number. See page 38 for option description.



Standard knob labels supplied.



TD-2210 Series Valves

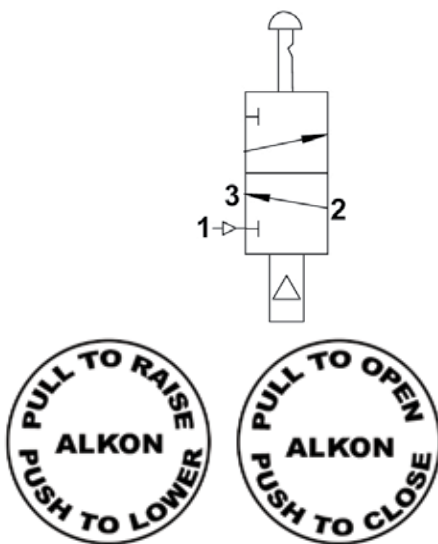
3/2 Push/Pull w/Air-Pilot Reset, 1/8" NPT Ports

The TD-2210 Series valve is a 3-way, 1/8" NPT, 3-ported, 2-position, push/pull valve, detented in the out position with an air-pilot reset. Air is normally supplied to port #1 but can also be supplied to port #3.

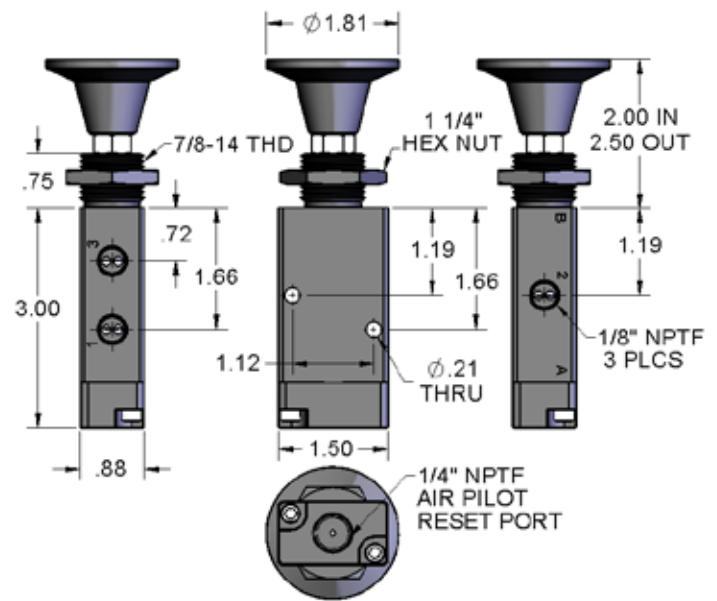
SPECIFICATIONS

Material	Black anodized aluminum, urethane seals	Temperature	-40°F to 180°F
Function	3/2 push/pull, detented	Options*	R = Red mushroom knob G = Green mushroom knob B = Black mushroom knob P = Protective boot
Mounting	Panel mount, Inline, or Thru hole mount		
Medium	Air		
Pressure	200 psi max. supply		
Flow	Cv = 0.6 (26 scfm fully open)		
Fasteners	Stainless steel		

*Add suffix to end of part number. See page 38 for option description.



Standard knob labels supplied.



TD-6210 Series Valves

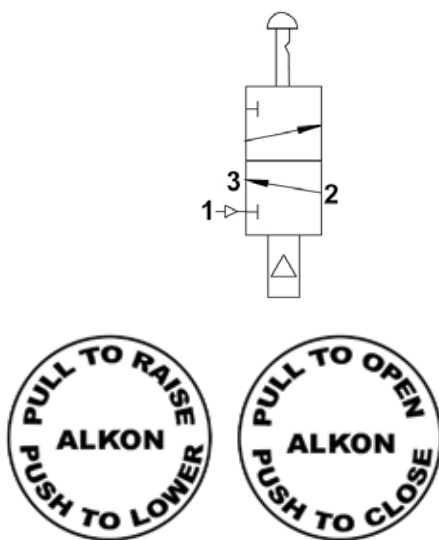
3/2 Push/Pull w/Air-Pilot Reset, 3/8" NPT Ports

Trans-DOT TD-6210 Series valves are 3-way, 3/8" NPT, 3-ported, 2-position, push/pull valves detented in the out position with an air-pilot reset. Air is normally supplied to port #1 but can also be supplied to port #3.

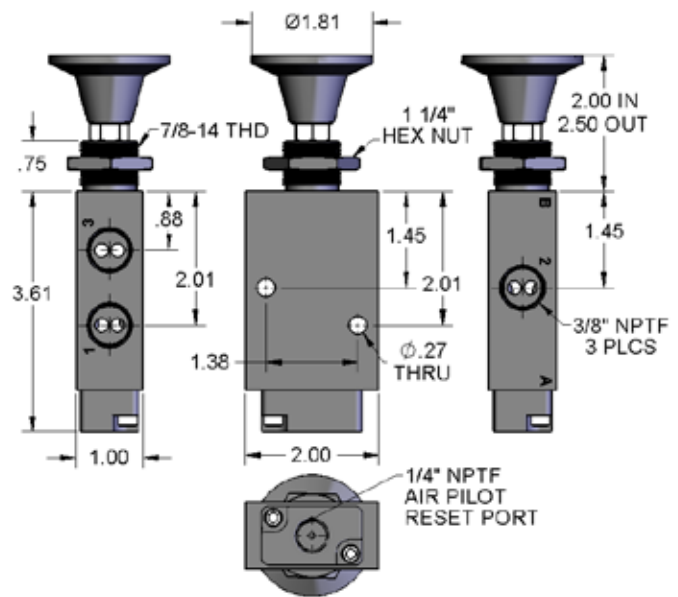
SPECIFICATIONS

Material	Black anodized aluminum, urethane seals	Temperature	-40° F to +180° F
Function	3/2 push/pull, detented out, w/air-pilot reset	Pilot Pressure	40 psi min
Mounting	Panel mount, Inline, or Thru hole mount	Options*	R = Red mushroom knob G = Green mushroom knob B = Black mushroom knob P = Protective boot
Medium	Air		
Pressure	200 psi max. supply		
Flow	Cv = 2.0 (96 scfm fully open)		
Fasteners	Stainless steel		

*Add suffix to end of part number. See page 38 for option description.



Standard knob labels supplied.



TD-2280 Series Valves

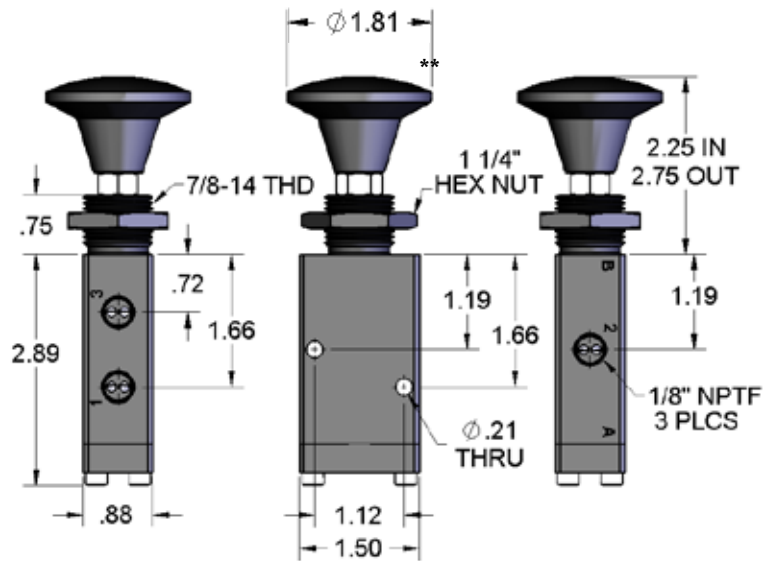
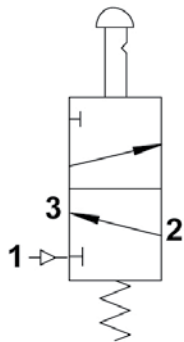
3/2 Push-In/Spring-Out, 1/8" NPT Ports

Trans-DOT TD-2280 Series valves are 1/8" NPT, 3-ported, 2-position, push-in/spring-out valves. Air is normally supplied to port #1 with #3 as the exhaust.

SPECIFICATIONS

Material	Black anodized aluminum, urethane seals	Temperature	-40°F to +180°F
Function	3/2 push-in/spring-out	Options*	R = Red mushroom knob G = Green mushroom knob P = Protective boot
Mounting	Panel mount, Inline, or Thru hole mount		
Medium	Air		
Pressure	200 psi max. supply		
Flow	Cv = 0.6 (26 scfm fully open)		
Fasteners	Stainless steel		

*Add suffix to end of part number. See page 38 for option description.



** Black mushroom knob standard.

TD-4280 Series Valves

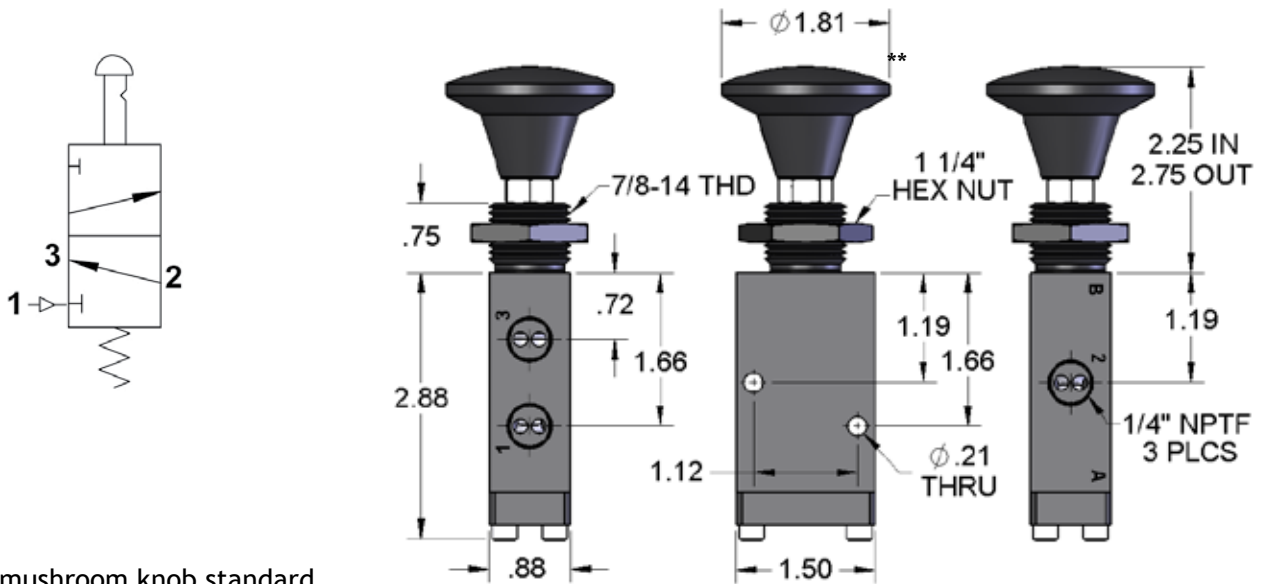
3/2 Push-In/Spring-Out, 1/4" NPT Ports

Trans-DOT TD-4280 Series valves are 1/4" NPT, 3-ported, 2-position, push-in/spring-out valves. Air is normally supplied to port #1 with #3 as the exhaust.

SPECIFICATIONS

Material	Black anodized aluminum, urethane seals	Temperature	-40°F to +180°F
Function	3/2 push-in/spring-out	Options*	R = Red mushroom knob G = Green mushroom knob P = Protective boot
Mounting	Panel mount, Inline, or Thru hole mount		
Medium	Air		
Pressure	200 psi max. supply		
Flow	Cv = 1.0 (48 scfm fully open)		
Fasteners	Stainless steel		

*Add suffix to end of part number. See page 38 for option description.



** Black mushroom knob standard.



TD-6280 Series Valves

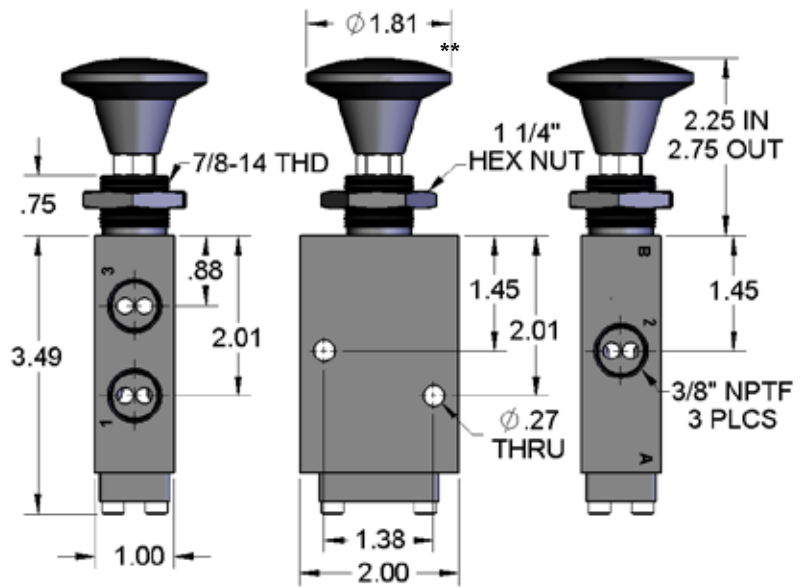
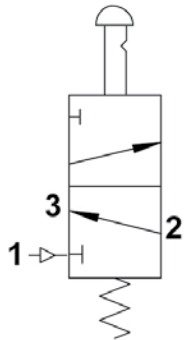
3/2 Push-In, Spring-Out, 3/8" NPT Ports

Trans-DOT TD-6280 Series valves are 3/8" NPT, 3-ported, 2-position, push-in/spring-out valves. Air is normally supplied to port #1 with #3 as the exhaust.

SPECIFICATIONS

Material	Black anodized aluminum, urethane seals	Temperature	-40°F to +180°F
Function	3/2 push-in/spring-out	Options*	R = Red mushroom knob G = Green mushroom knob P = Protective boot
Mounting	Panel mount, Inline, or Thru hole mount		
Medium	Air		
Pressure	200 psi max. supply		
Flow	Cv = 2.0 (96 scfm fully open)		
Fasteners	Stainless steel		

*Add suffix to end of part number. See page 38 for option description.



** Black mushroom knob standard.

TD-2300 Series Valves

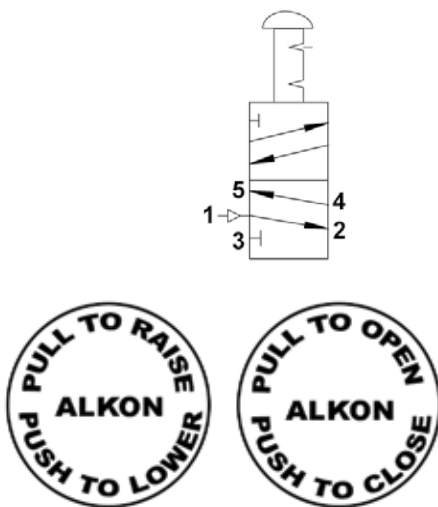
5/2 Push/Pull, 1/8" NPT Ports

TD-2300 Series valves from Trans-DOT are 1/8" NPT, 5-ported, 2-position, push/pull valves, detented in both positions. Air is normally supplied to port #1 but can also be supplied to ports #3 and #5 for dual-pressure setup, with #1 as the common exhaust.

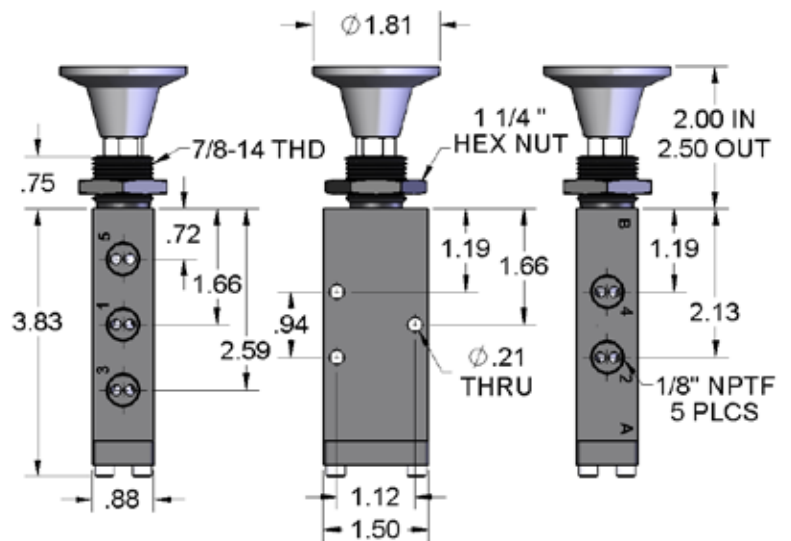
SPECIFICATIONS

Material	Black anodized aluminum, urethane seals	Temperature	-40°F to +180°F
Function	3/2 push/pull, detented	Options*	R = Red mushroom knob G = Green mushroom knob B = Black mushroom knob P = Protective boot
Mounting	Panel mount, Inline, or Thru hole mount		
Medium	Air		
Pressure	200 psi max. supply		
Flow	Cv = 0.6 (26 scfm fully open)		
Fasteners	Stainless steel		

*Add suffix to end of part number. See page 38 for option description.



Standard knob labels supplied.



TD-4300 Series Valves

5/2 Push/Pull, 1/4" NPT Ports

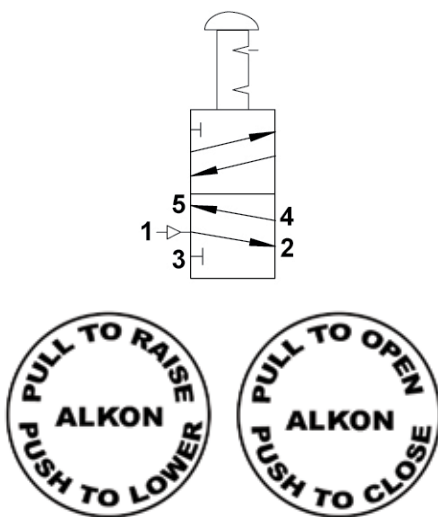
TD-4300 Series valves are 1/4" NPT, 5-ported, 2-position, push/pull valves detented in both positions. Air is normally supplied to port #1 but can also be supplied to ports #3 and #5 for dual-pressure setup with #1 as the common exhaust.

SPECIFICATIONS

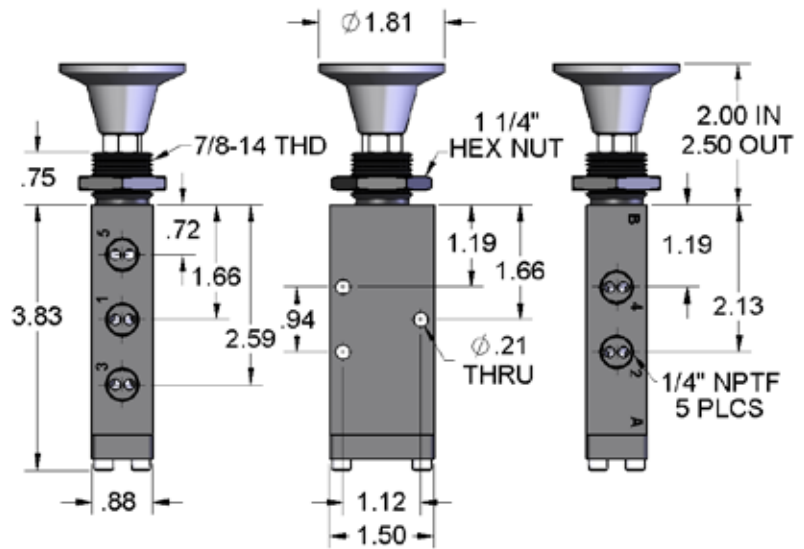
Material	Black anodized aluminum, urethane seals
Function	5/2 push/pull, detented
Mounting	Panel mount, Inline, or Thru hole mount
Medium	Air
Pressure	200 psi max. supply
Flow	Cv = 1.0 (48 scfm fully open)
Fasteners	Stainless steel

Temperature	-40° F to +180° F
Options*	R = Red mushroom knob G = Green mushroom knob B = Black mushroom knob P = Protective boot

*Add suffix to end of part number. See page 38 for option description.



Standard knob labels supplied.



TD-6300 Series Valves

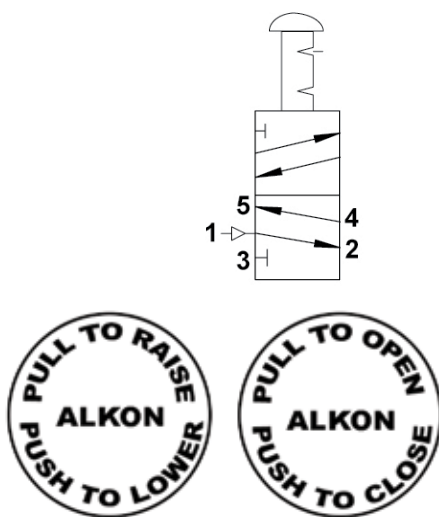
5/2 Push/Pull, 3/8" NPT Ports

TD-6300 Series valves are 3/8" NPT, 5-ported, 2-position, push/pull valves, detented in both positions. Air is normally supplied to port #1 but can also be supplied to ports #3 and #5 for dual-pressure setup with #1 as the common exhaust.

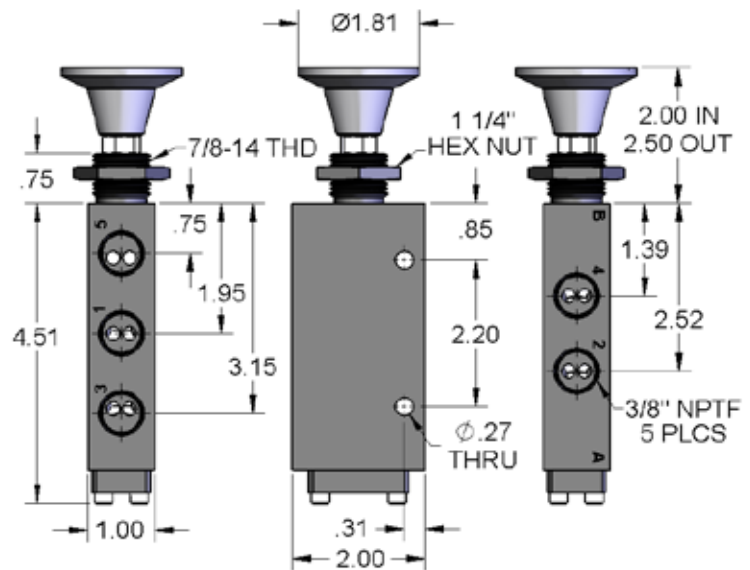
SPECIFICATIONS

Material	Black anodized aluminum, urethane seals	Temperature	-40° F to +180° F
Function	5/2 push/pull, detented	Options*	R = Red mushroom knob G = Green mushroom knob B = Black mushroom knob P = Protective boot
Mounting	Panel mount, Inline, or Thru hole mount		
Medium	Air		
Pressure	200 psi max. supply		
Flow	Cv = 2.0 (96 scfm fully open)		
Fasteners	Stainless steel		

*Add suffix to end of part number. See page 38 for option description.



Standard knob labels supplied.



TD-2310 Series Valves

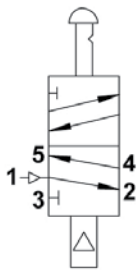
5/2 Push/Pull w/Air-Pilot Reset, 1/8" NPT Ports

Trans-DOT TD-2310 Series valves are 1/4" NPT, 5-ported, 2-position, push/pull valves, detented in the out position with an air-pilot reset. Air is normally supplied to port #1 but can also be supplied to ports #3 and #5 for dual-pressure setup with #1 as the common exhaust.

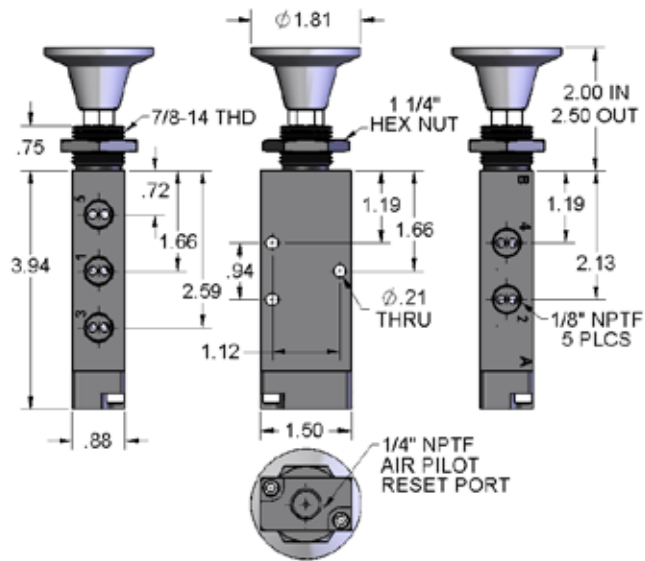
SPECIFICATIONS

Material	Black anodized aluminum, urethane seals	Temperature	-40°F to +180°F
Function	3/2 push/pull, detented out, air-pilot reset	Options*	R = Red mushroom knob G = Green mushroom knob B = Black mushroom knob P = Protective boot
Mounting	Panel mount, Inline, or Thru hole mount	Pilot Pressure	40 psi min
Medium	Air		
Pressure	200 psi max. supply		
Flow	Cv = 0.6 (26 scfm fully open)		
Fasteners	Stainless steel		

*Add suffix to end of part number. See page 38 for option description.



Standard knob labels supplied.



TD-4310 Series Valves

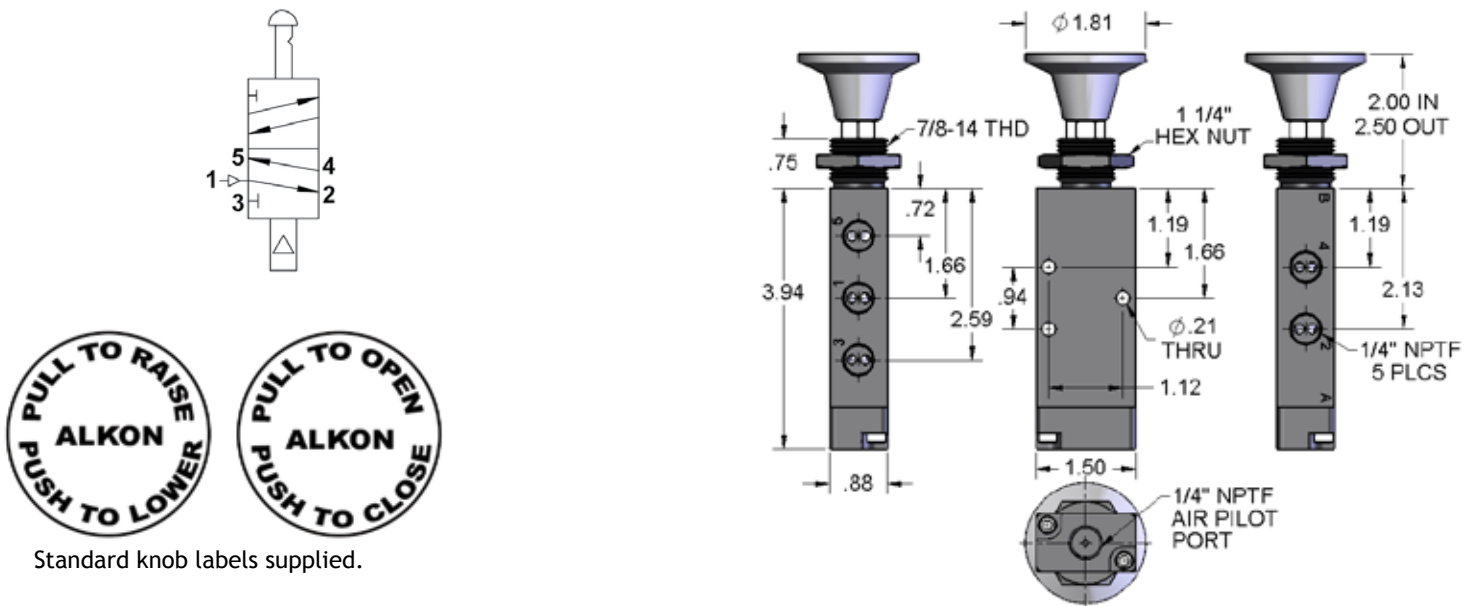
5/2 Push/Pull w/Air-Pilot Reset, 1/4" Ports

Trans-DOT TD-4310 Series valves are 1/4" NPT, 5-ported, 2-position, push/pull valves, detented in the out position with an air-pilot reset. Air is normally supplied to port #1 but can also be supplied to ports #3 and #5 for dual-pressure setup and #1 as the common exhaust.

SPECIFICATIONS

Material	Black anodized aluminum, urethane seals	Temperature	-40°F to +180°F
Function	5/2 push/pull, detented out, w/air-pilot reset	Pilot Pressure	40 psi min
Mounting Medium	Panel mount, Inline, or Thru hole mount	Options*	R = Red mushroom knob G = Green mushroom knob B = Black mushroom knob P = Protective boot
Pressure	200 psi max. supply		
Flow	Cv = 1.0 (48 scfm fully open)		
Fasteners	Stainless steel		

*Add suffix to end of part number. See page 38 for option description.



Standard knob labels supplied.



TD-6310 Series Valves

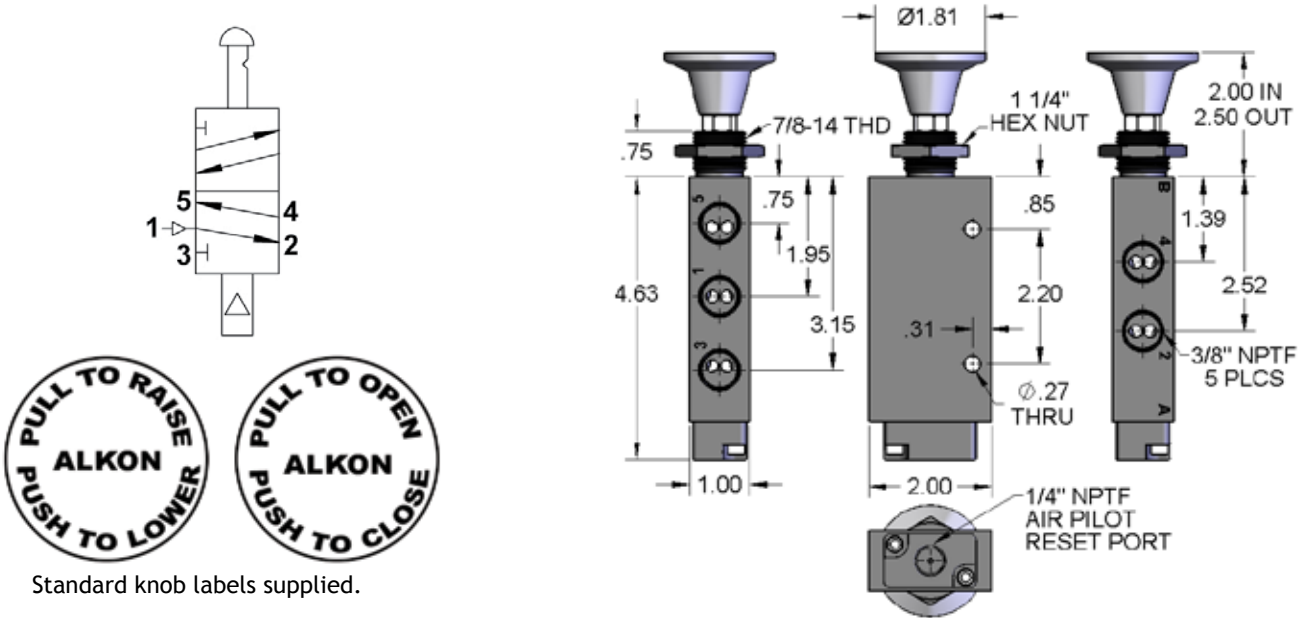
5/2 Push/Pull w/Air-Pilot Reset, 3/8" NPT Ports

Trans-DOT TD-6310 Series valves are 3/8" NPT, 5-ported, 2-position, push/pull valves, detented in the out position with an air-pilot reset. Air is normally supplied to port #1 but can also be supplied to ports #3 and #5 for dual-pressure setup with #1 as the common exhaust.

SPECIFICATIONS

Material	Black anodized aluminum, urethane seals	Temperature	-40° F to +180° F
Function	3/2 push/pull, detented out, w/air-pilot reset	Pilot Pressure	40 psi min
Mounting Medium	Panel mount, Inline, or Thru hole mount	Options*	R = Red mushroom knob G = Green mushroom knob B = Black mushroom knob P = Protective boot
Pressure	200 psi max. supply		
Flow	Cv = 2.0 (96 scfm fully open)		
Fasteners	Stainless steel		

*Add suffix to end of part number. See page 38 for option description.



Standard knob labels supplied.

TD-2380 Series Valves

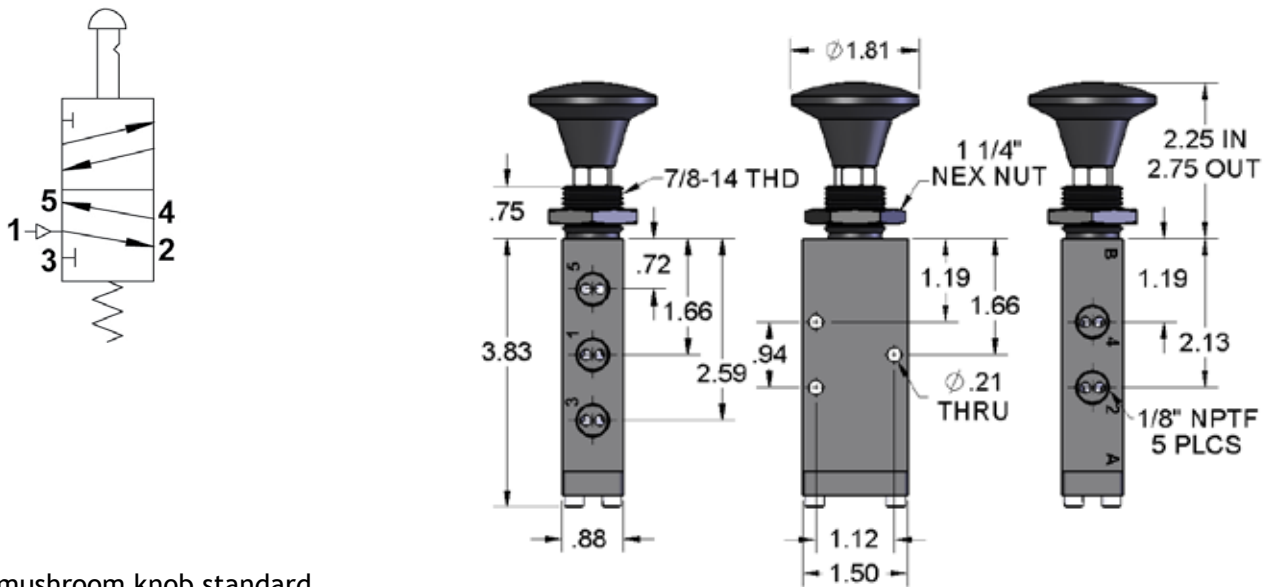
5/2 Push-In/Spring-Out, 1/8" NPT Ports

TD-2380 Series valves from Trans-DOT are 1/8" NPT, 5-ported, 2-position, push-in/spring-out valves. Air is normally supplied to port #1 but can also be supplied to ports #3 and #5 for dual-pressure setup, with #1 as the common exhaust.

SPECIFICATIONS

Material	Black anodized aluminum, urethane seals	Temperature	-40°F to +180°F
Function	5/2 push-in/spring-out	Options*	R = Red mushroom knob G = Green mushroom knob P = Protective boot
Mounting	Panel mount, Inline, or Thru hole mount		
Medium	Air		
Pressure	200 psi max. supply		
Flow	Cv = 0.6 (26 scfm fully open)		
Fasteners	Stainless steel		

*Add suffix to end of part number. See page 38 for option description.



** Black mushroom knob standard.



TD-4380 Series Valves

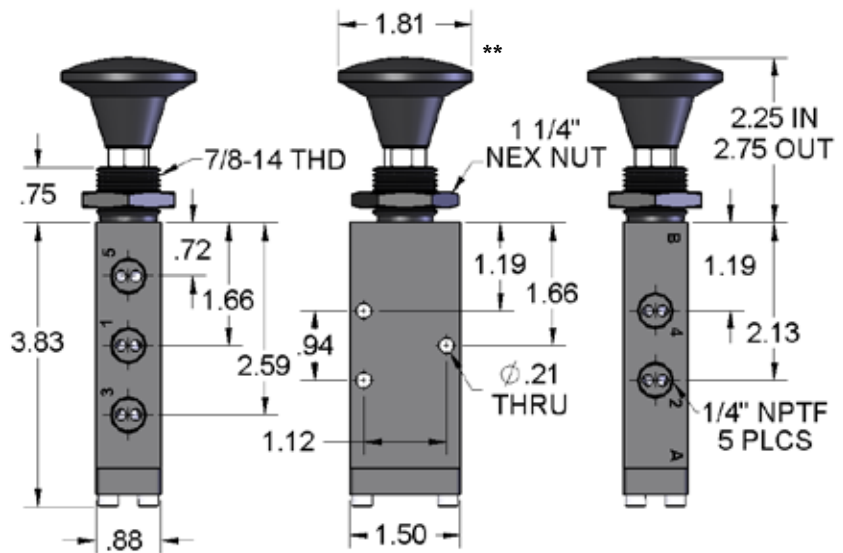
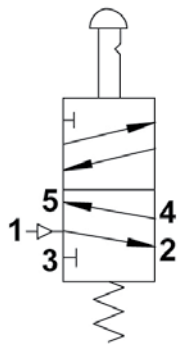
5/2 Push-In/Spring-Out, 1/4" Ports

Trans-DOT TD-4380 Series valves are 1/4" NPT, 5-ported, 2-position, push-in/spring-out valves. Air is normally supplied to port #1 but can also be supplied to ports #3 and #5 for dual-pressure setup with #1 as the common exhaust.

SPECIFICATIONS

Material	Black anodized aluminum, urethane seals	Temperature	-40°F to +180°F
Function	5/2 push-in/spring-out	Options*	R = Red mushroom knob G = Green mushroom knob P = Protective boot
Mounting	Panel mount, Inline, or Thru hole mount		
Medium	Air		
Pressure	200 psi max. supply		
Flow	Cv = 1.0 (48 scfm fully open)		
Fasteners	Stainless steel		

*Add suffix to end of part number. See page 38 for option description.



** Black mushroom knob standard.

TD-6380 Series Valves

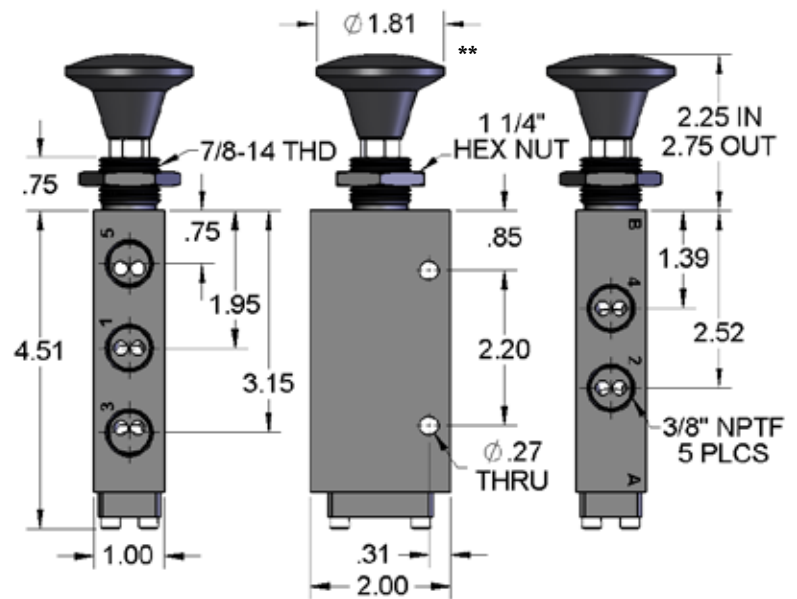
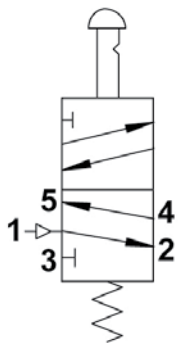
5/2 Push-In/Spring-Out, 3/8" NPT Ports

Trans-DOT TD-6380 Series valves are 3/8" NPT, 5-ported, 2-position, push-in/spring-out valves. Air is normally supplied to port #1 but can also be supplied to ports #3 and #5 for dual-pressure setup with #1 as the common exhaust.

SPECIFICATIONS

Material	Black anodized aluminum, urethane seals	Temperature	-40°F to +180°F
Function	5/2 push-in/spring-out	Options*	R = Red mushroom knob G = Green mushroom knob P = Protective boot
Mounting	Panel mount, Inline, or Thru hole mount		
Medium	Air		
Pressure	200 psi max. supply		
Flow	Cv = 2.0 (96 scfm fully open)		
Fasteners	Stainless steel		

*Add suffix to end of part number. See page 38 for option description.



** Black mushroom knob standard.





Alkon Trans-DOT. The Road to Reliability.

Trans-DOT Air Pilot Valves



3/2 SINGLE AIR PILOT SPRING RETURN

Page	Part No.	Port Size (NPT)
60	TD-2220	1/8"
61	TD-4220	1/4"
62	TD-6220	3/8"

3/2 DOUBLE AIR PILOT

Page	Part No.	Port Size (NPT)
63	TD-2230	1/8"
64	TD-4230	1/4"
65	TD-6230	3/8"

5/2 SINGLE AIR PILOT SPRING RETURN

Page	Part No.	Port Size (NPT)
66	TD-2320	1/8"
67	TD-4320	1/4"
68	TD-6320	3/8"

5/2 DOUBLE AIR PILOT

Page	Part No.	Port Size (NPT)
69	TD-2330	1/8"
70	TD-4330	1/4"
71	TD-6330	3/8"

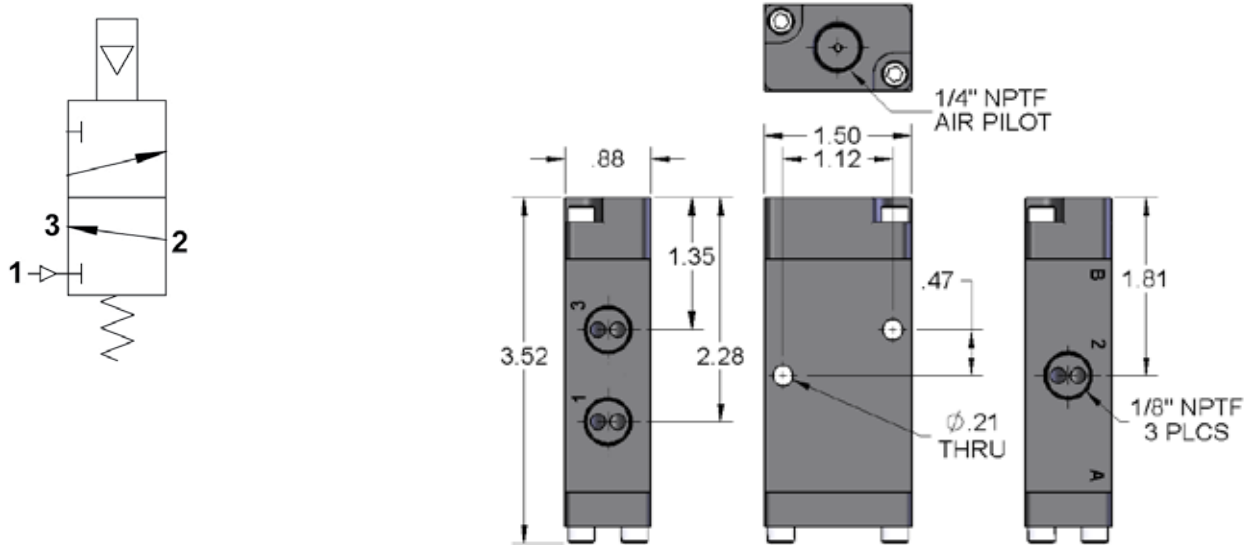
TD-2220 Series Valves

3/2 Single Air Pilot, 1/8" NPT Ports

TD-2220 Series valves are 3-way, 1/8" NPT, 3-ported, 2-position, single air pilot valves with spring return. Air is normally closed when supplied to the #1 port. Air is normally open when supplied to the #3 port.

SPECIFICATIONS

Material	Black anodized aluminum, urethane seals	Temperature	-40°F to +180°F
Function	3/2 single pilot, spring return	Pilot Pressure	40 psi min
Mounting	Inline, or Thru hole mount		
Medium	Air		
Pressure	200 psi max. supply		
Flow	Cv = 0.6 (26 scfm fully open)		
Fasteners	Stainless steel		



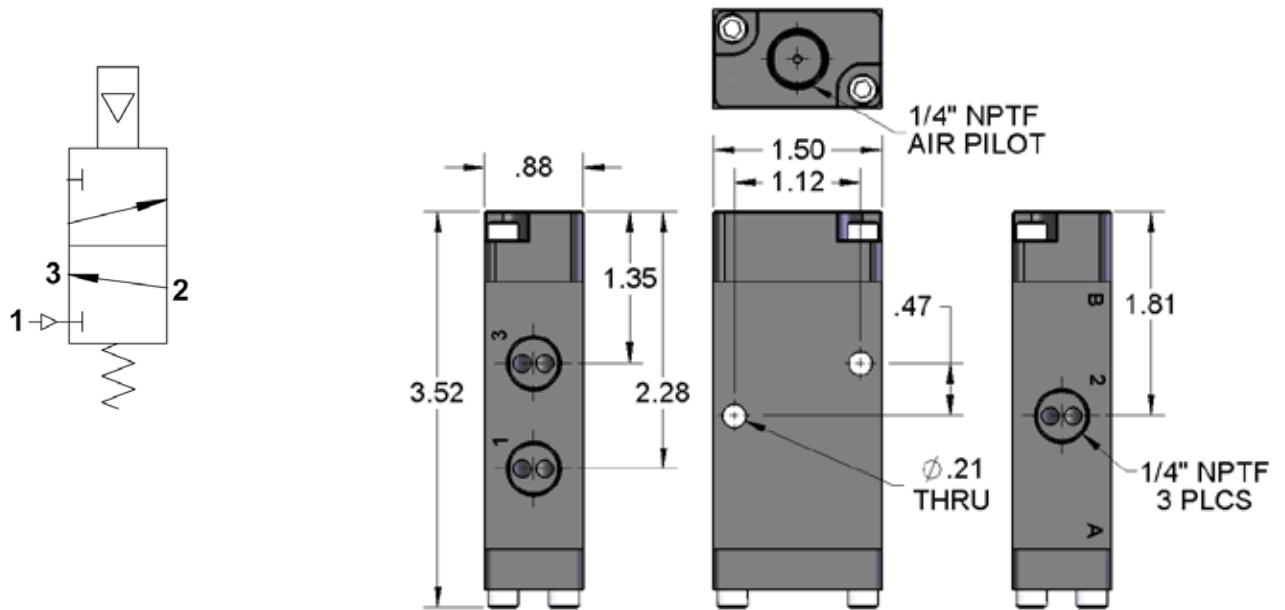
TD-4220 Series Valves

3/2 Single Air Pilot, 1/4" NPT Ports

TD-4220 Series valves are 3-way, 1/4" NPT, 3-ported, 2-position, single air pilot valves with spring return. Air is normally closed when supplied to the #1 port. Air is normally open when supplied to the #3 port.

SPECIFICATIONS

Material	Black anodized aluminum, urethane seals	Temperature	-40°F to +180°F
Function	3/2 single pilot, spring return	Pilot Pressure	40 psi min
Mounting	Inline, or Thru hole mount		
Medium	Air		
Pressure	200 psi max. supply		
Flow	Cv = 1.0 (48 scfm fully open)		
Fasteners	Stainless steel		



AIR PILOT

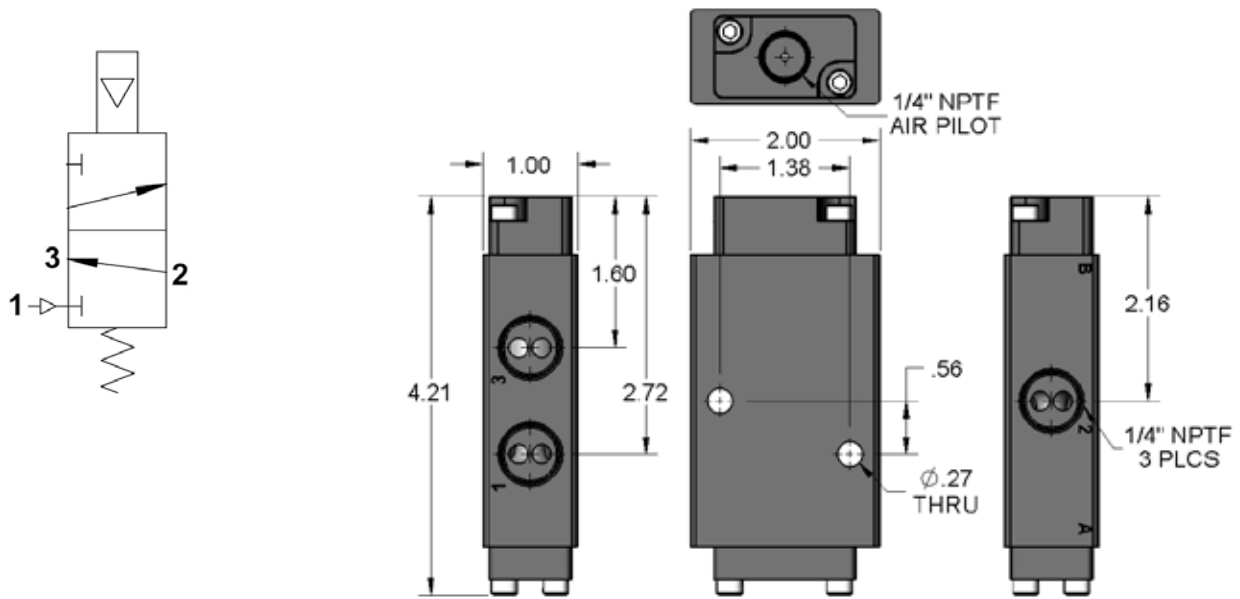
TD-6220 Series Valves

3/2 Single Air Pilot, 3/8" NPT Ports

TD-6220 Series valves are 3-way, 3/8" NPT, 3-ported, 2-position, single air pilot valves with spring return. Air is normally closed when supplied to the #1 port. Air is normally open when supplied to the #3 port.

SPECIFICATIONS

Material	Black anodized aluminum, urethane seals	Temperature	-40°F to +180°F
Function	3/2 single air pilot, spring return	Pilot Pressure	40 psi min
Mounting	Inline, or Thru hole mount		
Medium	Air		
Pressure	200 psi max. supply		
Flow	Cv = 2.0 (96 scfm fully open)		
Fasteners	Stainless steel		



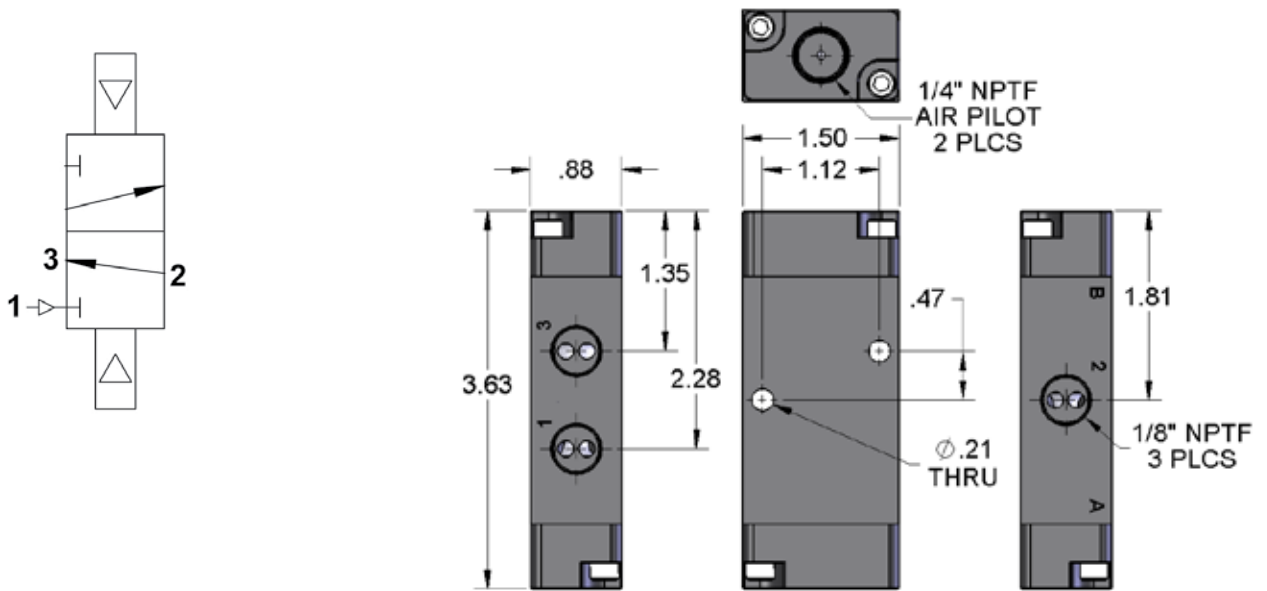
TD-2230 Series Valves

3/2 Double Air Pilot, 1/8" NPT Ports

Trans-DOT TD-2230 Series valves are 3-way, 1/8" NPT, 3-ported, 2-position, double air pilot valves. Air is normally closed when supplied to the #1 port. Air is normally open when supplied to the #3 port.

SPECIFICATIONS

Material	Black anodized aluminum, urethane seals	Temperature	-40°F to +180°F
Function	3/2 double air pilot	Pilot Pressure	40 psi min
Mounting	Inline, or Thru hole mount		
Medium	Air		
Pressure	200 psi max. supply		
Flow	Cv = 0.6 (26 scfm fully open)		
Fasteners	Stainless steel		



AIR PILOT

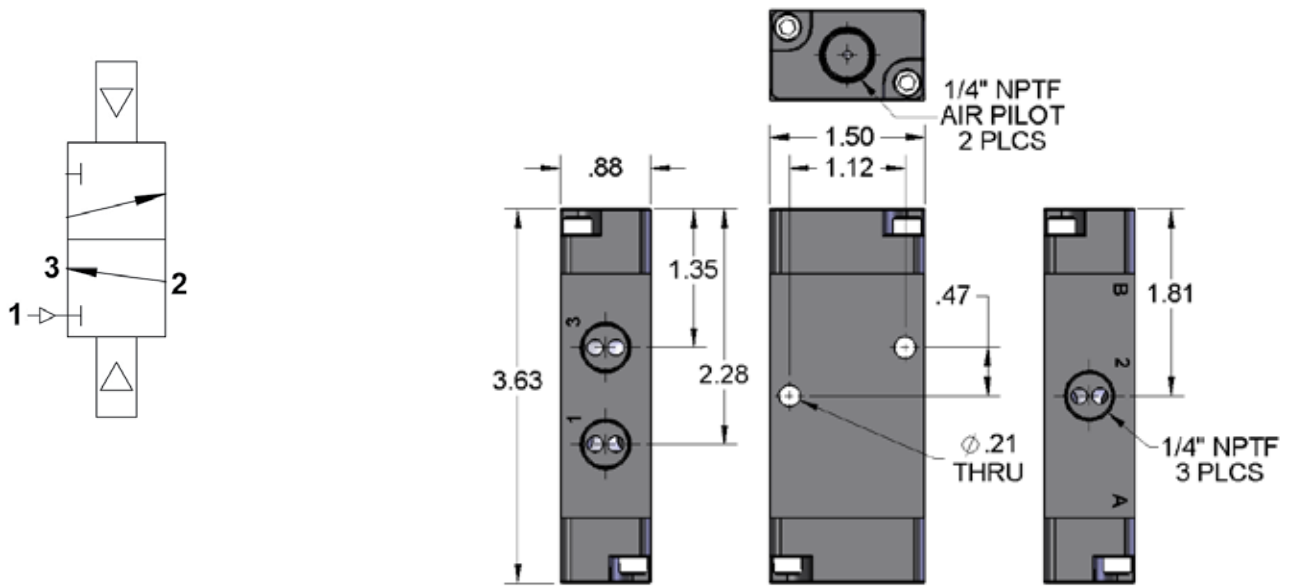
TD-4230 Series Valves

3/2 Double Air Pilot, 1/4" NPT Ports

TD-4230 Series valves are 3-way, 1/4" NPT, 3-ported, 2-position, double air pilot valves. Air is normally closed when supplied to the #1 port. Air is normally open when supplied to the #3 port.

SPECIFICATIONS

Material	Black anodized aluminum, urethane seals	Temperature	-40° F to +180° F
Function	3/2 double air pilot	Pilot Pressure	40 psi min
Mounting	Inline, or Thru hole mount		
Medium	Air		
Pressure	200 psi max. supply		
Flow	Cv = 1.0 (48 scfm fully open)		
Fasteners	Stainless steel		



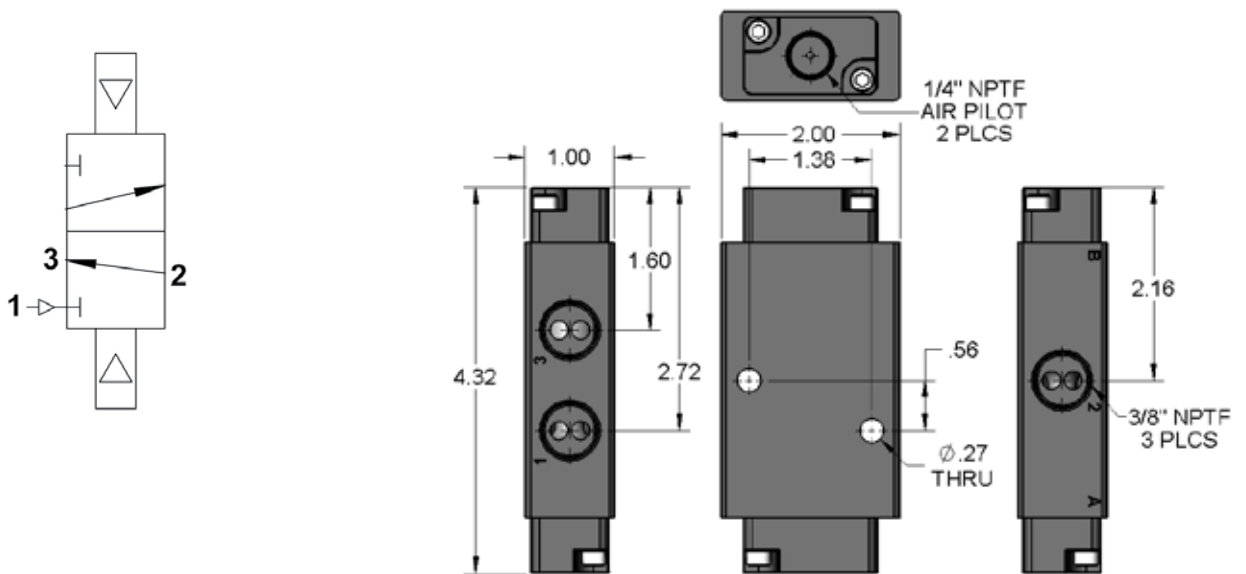
TD-6230 Series Valves

3/2 Double Air Pilot, 3/8" NPT Ports

Trans-DOT TD-6230 Series valves are 3-way, 3/8" NPT, 3-ported, 2-position, double air pilot valves. Air is normally closed when supplied to the #1 port. Air is normally open when supplied to the #3 port.

SPECIFICATIONS

Material	Black anodized aluminum, urethane seals	Temperature	-40°F to +180°F
Function	3/2 double air pilot	Pilot Pressure	40 psi min
Mounting	Inline, or Thru hole mount		
Medium	Air		
Pressure	200 psi max. supply		
Flow	Cv = 1.0 (48 scfm fully open)		
Fasteners	Stainless steel		



AIR PILOT

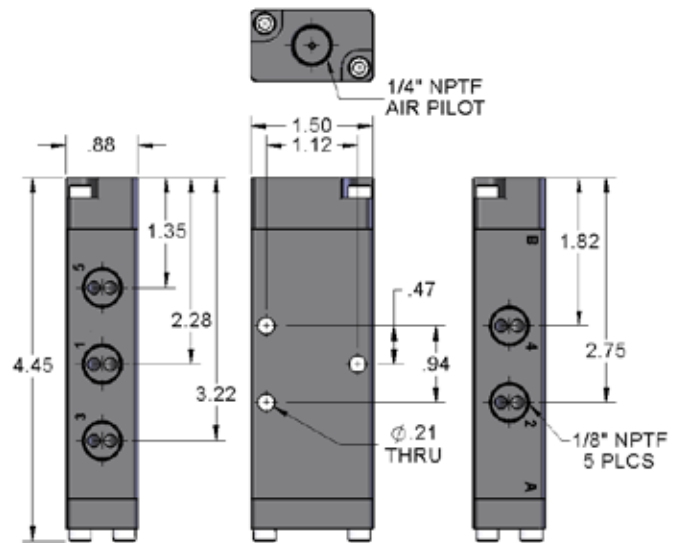
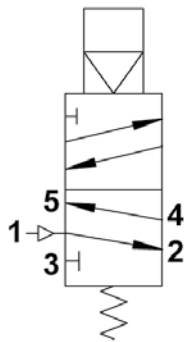
TD-2320 Series Valves

5/2 Single Air Pilot, 1/8" NPT Ports

TD-2320 Series valves are 4-way, 1/8" NPT, 5-ported, 2-position, single air pilot valves with spring return. Air is normally supplied to port #1 but can also be supplied as dual pressure with air supplied to ports #3 and #5, and port #1 as a common exhaust.

SPECIFICATIONS

Material	Black anodized aluminum, urethane seals	Temperature	-40° F to +180° F
Function	5/2 single pilot, spring return	Pilot Pressure	40 psi min
Mounting	Inline, or Thru hole mount		
Medium	Air		
Pressure	200 psi max. supply		
Flow	Cv = 0.6 (26 scfm fully open)		
Fasteners	Stainless steel		



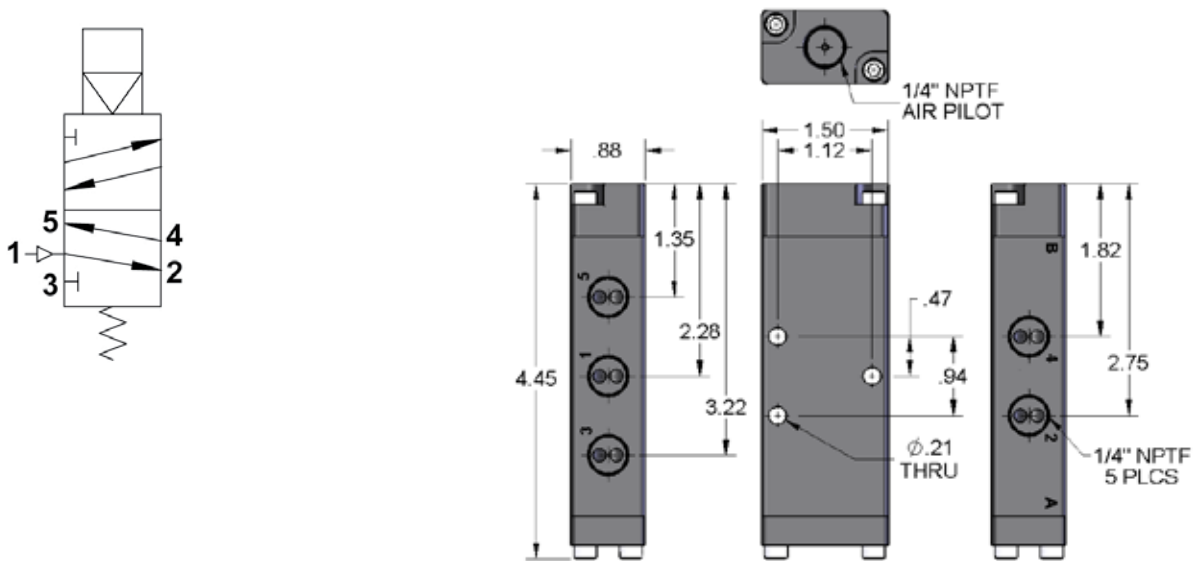
TD-4320 Series Valves

5/2 Single Air Pilot, 1/4" NPT Ports

Trans-DOT TD-4320 Series valves are 4-way, 1/4" NPT, 5-ported, 2-position, single air pilot valves with spring return. Air is normally supplied to port #1 but can also be supplied as dual pressure with air supplied to ports #3 and #5 and port #1 as a common exhaust.

SPECIFICATIONS

Material	Black anodized aluminum, urethane seals	Temperature	-40°F to +180°F
Function	5/2 single pilot, spring return	Pilot Pressure	40 psi min
Mounting	Inline, or Thru hole mount		
Medium	Air		
Pressure	200 psi max supply		
Flow	Cv = 1.0 (48 scfm fully open)		
Fasteners	Stainless steel		



AIR PILOT

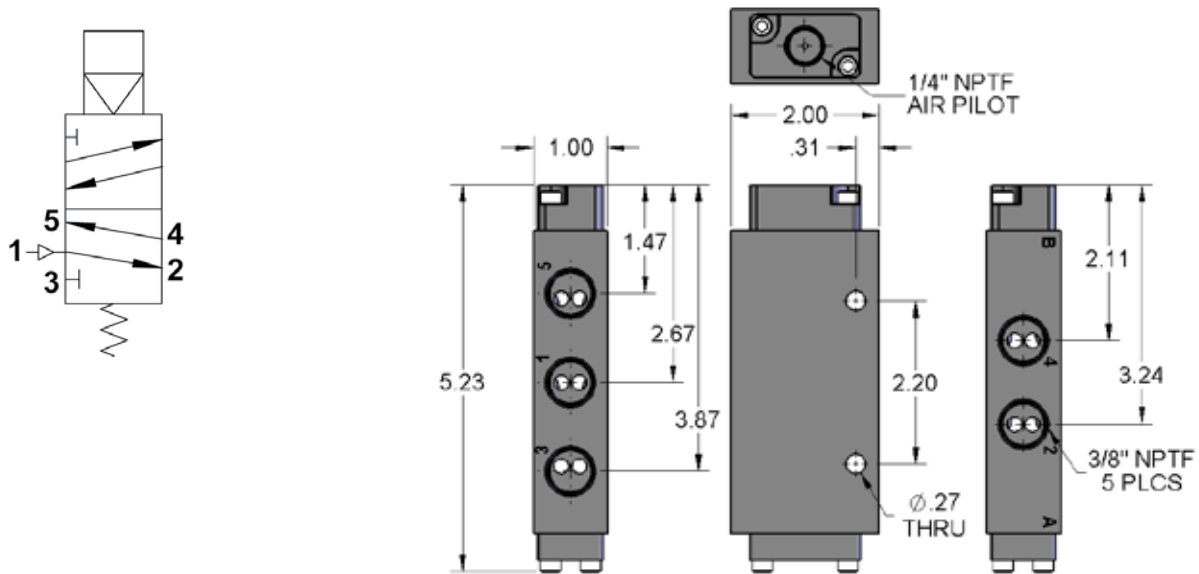
TD-6320 Series Valves

5/2 Single Air Pilot, 3/8" NPT Ports

Trans-DOT TD-6320 Series valves are 4-way, 3/8" NPT, 5-ported, 2-position, single air pilot valves with spring return. Air is normally supplied to port #1 but can also be supplied as dual pressure with air supplied to ports #3 and #5 and port #1 as a common exhaust.

SPECIFICATIONS

Material	Black anodized aluminum, urethane seals	Temperature	-40° F to +180° F
Function	5/2 single pilot, spring return	Pilot Pressure	40 psi min
Mounting	Inline, or Thru hole mount		
Medium	Air		
Pressure	200 psi max. supply		
Flow	Cv = 2.0 (48 scfm fully open)		
Fasteners	Stainless steel		



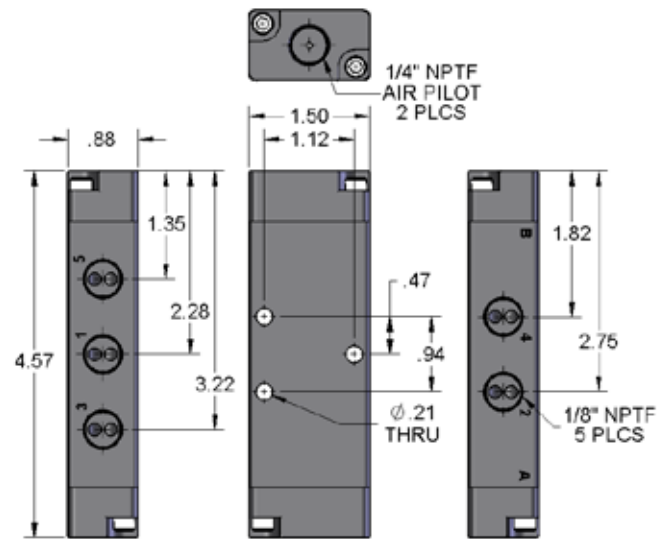
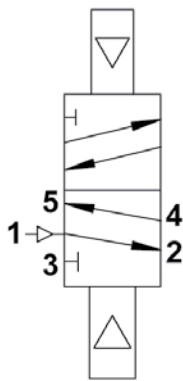
TD-2330 Series Valves

5/2 Double Air Pilot, 1/8" NPT Ports

The TD-2330 Series valve is a 4-way, 1/8" NPT, 5-ported, 2-position, double air pilot valve. Air is normally supplied to port #1 but can also be supplied as dual pressure with air supplied to ports #3 and #5, and to port #1 as a common exhaust.

SPECIFICATIONS

Material	Black anodized aluminum, urethane seals	Temperature	-40°F to +180°F
Function	5/2 double air pilot	Pilot Pressure	40 psi min
Mounting	Inline, or Thru hole mount		
Medium	Air		
Pressure	200 psi max. supply		
Flow	Cv = 0.6 (26 scfm fully open)		
Fasteners	Stainless steel		



AIR PILOT

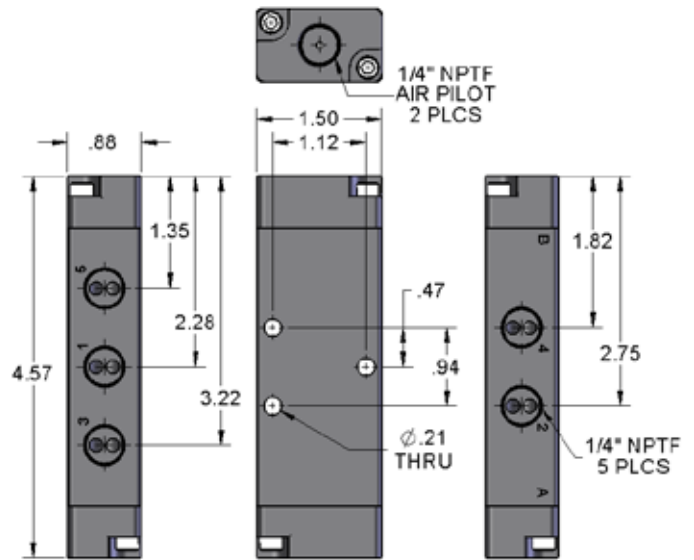
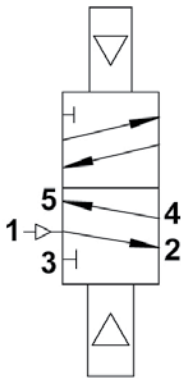
TD-4330 Series Valves

5/2 Double Air Pilot, 1/4" NPT Ports

TD-4330 Series valves are 4-way, 1/4" NPT, 5-ported, 2-position, double air pilot valves. Air is normally supplied to port #1 but can also be supplied as dual pressure with air supplied to ports #3 and #5 and port #1 as a common exhaust.

SPECIFICATIONS

Material	Black anodized aluminum, urethane seals	Temperature	-40°F to +180°F
Function	5/2 double air pilot	Pilot Pressure	40 psi min
Mounting	Inline, or Thru hole mount		
Medium	Air		
Pressure	200 psi max. supply		
Flow	Cv = 1.0 (48 scfm fully open)		
Fasteners	Stainless steel		



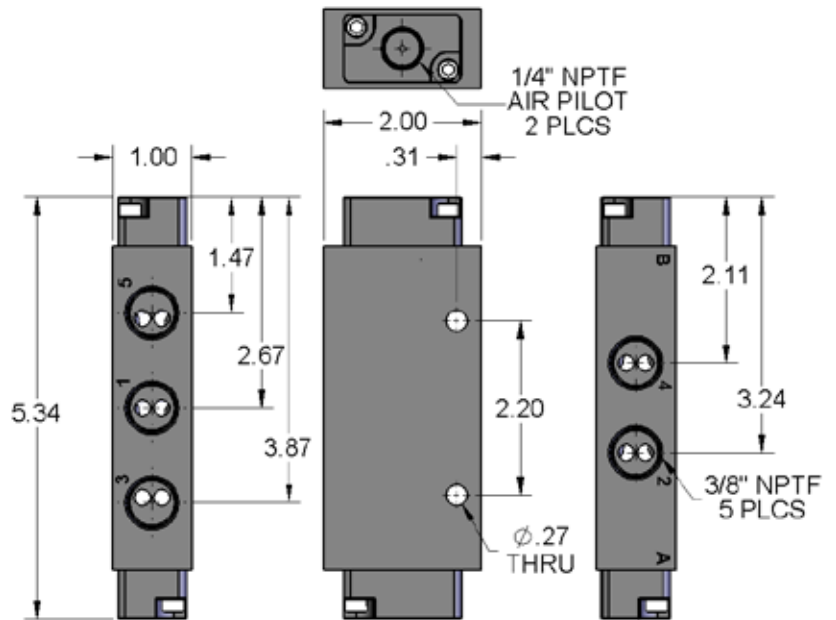
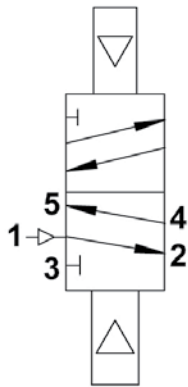
TD-6330 Series Valves

5/2 Double Air Pilot, 3/8" NPT Ports

Trans-DOT TD-6330 Series valves are 4-way, 3/8" NPT, 5-ported, 2-position, double air pilot valves. Air is normally supplied to port #1 but can also be supplied as dual pressure with air supplied to ports #3 and #5 and port #1 as a common exhaust.

SPECIFICATIONS

Material	Black anodized aluminum, urethane seals	Temperature	-40°F to +180°F
Function	5/2 double air pilot	Pilot Pressure	40 psi min
Mounting	Inline, or Thru hole mount		
Medium	Air		
Pressure	200 psi max. supply		
Flow	Cv = 2.0 (96 scfm fully open)		
Fasteners	Stainless steel		



AIR PILOT



Trans-DOT Solenoid Valves



2/2 SINGLE SOLENOID SPRING RETURN, DIRECT ACTING

Page	Part No.	Port Size (NPT)
76	TD-2142	1/8"

3/2 SINGLE SOLENOID SPRING RETURN

Page	Part No.	Port Size (NPT)
77	TD-2242	1/8"
78	TD-4242	1/4"
79	TD-6242	3/8"

3/2 SINGLE SOLENOID SPRING RETURN WITH DIRECT PUSH TURN & LOCK OVERRIDE

Page	Part No.	Port Size (NPT)
80	TD-4262	1/4"
81	TD-6262	3/8"

5/2 SINGLE SOLENOID SPRING RETURN

Page	Part No.	Port Size (NPT)
82	TD-4342	1/4"
83	TD-6342	3/8"

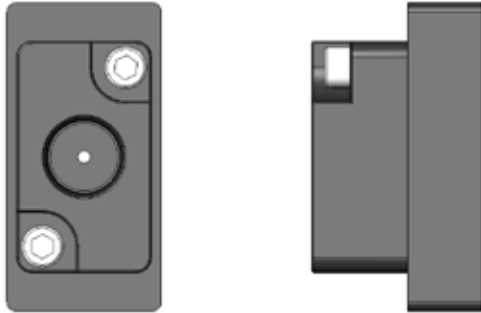
5/2 DOUBLE SOLENOID

Page	Part No.	Port Size (NPT)
84	TD-4352	1/4"
85	TD-6352	3/8"

5/2 SINGLE SOLENOID SPRING RETURN WITH DIRECT PUSH TURN & LOCK OVERRIDE

Page	Part No.	Port Size (NPT)
86	TD-4362	1/4"
87	TD-6362	3/8"

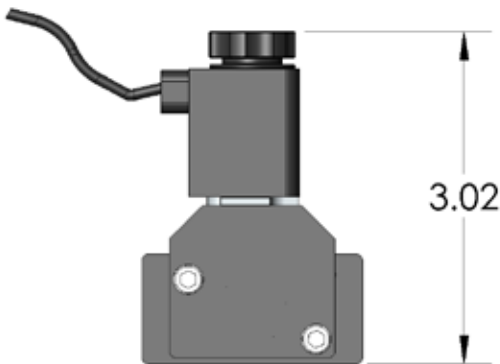
Solenoid Valve Options



A = Air pilot return
1/4" NPT port size; available on all solenoid valves.

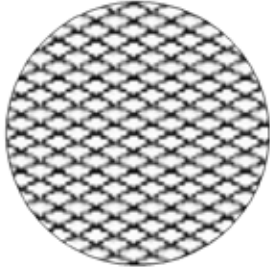


E = External air supply
1/8" NPT port size; available on all solenoid valves.



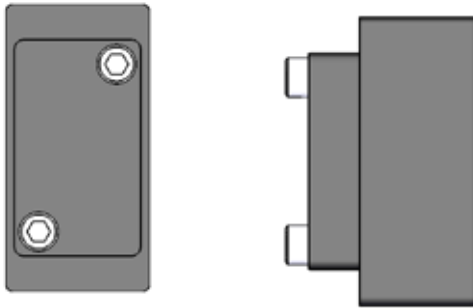
RS = Rotated solenoid 90°
Available on all solenoid valves.
Shown without push-turn and lock override.

Valve Options



S = Screen mesh

Available on all valves. (Installed in supply and pilot ports.)



V = Internally vented through exhaust

Available on all valves.

(Not pictured) NO = Normally open

Available on all 3-Way solenoid valves.

(Not pictured) DP = Dual Pressure

Available on all 4-Way solenoid valves.

TD-2142 Series Valves

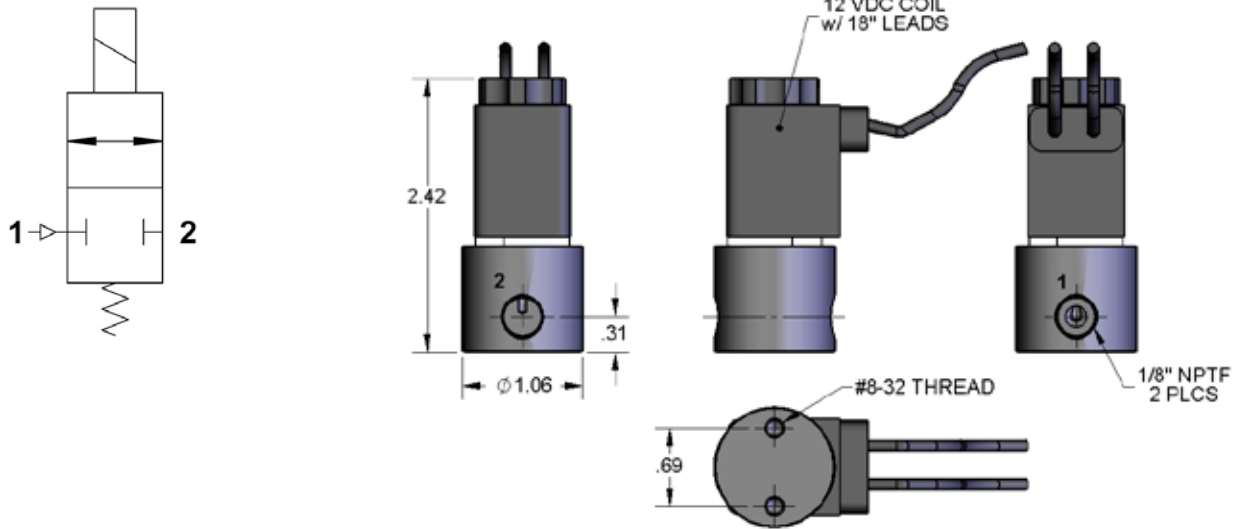
2-Way Single Solenoid, 12 Vdc, 1/8" NPT Ports

Trans-DOT TD-2142 Series valves are 2-way, on/off, normally closed 1/8" NPT, 12 Vdc valves. Air is normally supplied to port #1. When energized, air flows from port #1 out port #2.

SPECIFICATIONS

Material	Black anodized aluminum
Function	2-way, normally closed single solenoid
Mounting	Inline or bottom mount
Medium	Air
Voltage	12 Vdc w/ 18" leads, NEMA 4
Pressure	150 psi max. supply
Flow	Cv = .25 (12 scfm)
Fasteners	Stainless steel

Temperature -40°F to +180°F



TD-2242 Series Valves

3-Way Single Solenoid, 12 Vdc, 1/8" NPT Ports

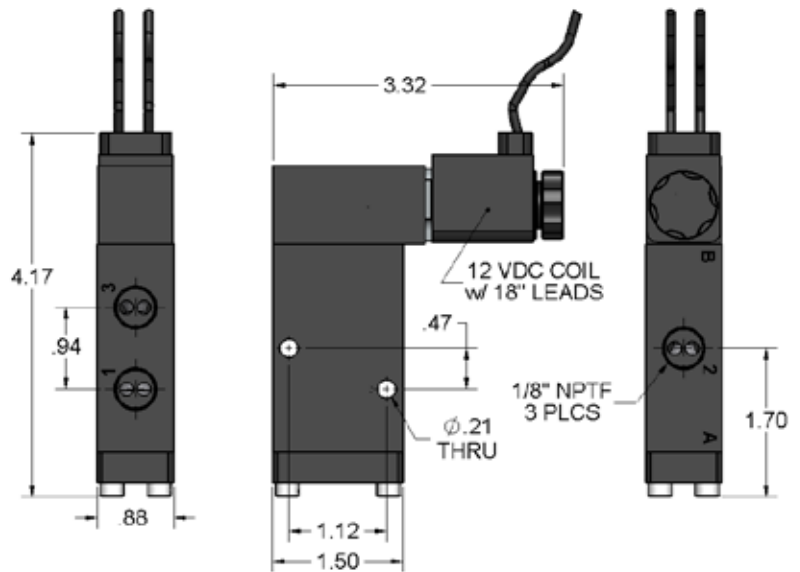
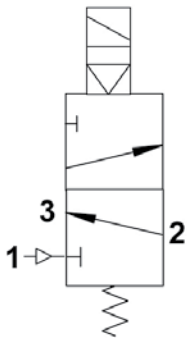
Trans-DOT TD-2242 Series valves are 3-way, normally closed 1/8" NPT port, 12 Vdc valves. Air is normally supplied to port #1. When energized, air flows from port #1 out port #2.

SPECIFICATIONS

Material	Black anodized aluminum
Function	3-way, normally closed single solenoid, spring return
Mounting	Inline, or Thru hole mount
Medium	Air
Voltage	12 Vdc w/ 18" leads, NEMA 4
Pressure	40 psi min., 150 psi max. supply
Flow	Cv = 0.6 (26 scfm fully open)
Fasteners	Stainless steel

Temperature	-40° F to +180° F
Options*	A = Air pilot return E = External pilot NO = Normally open RS = Solenoid rotated 90° S = Mesh screens in ports V = Vented thru exhaust

*Add suffix to end of part number. See page 74 for option description.



SOLENOID

TD-4242 Series Valves

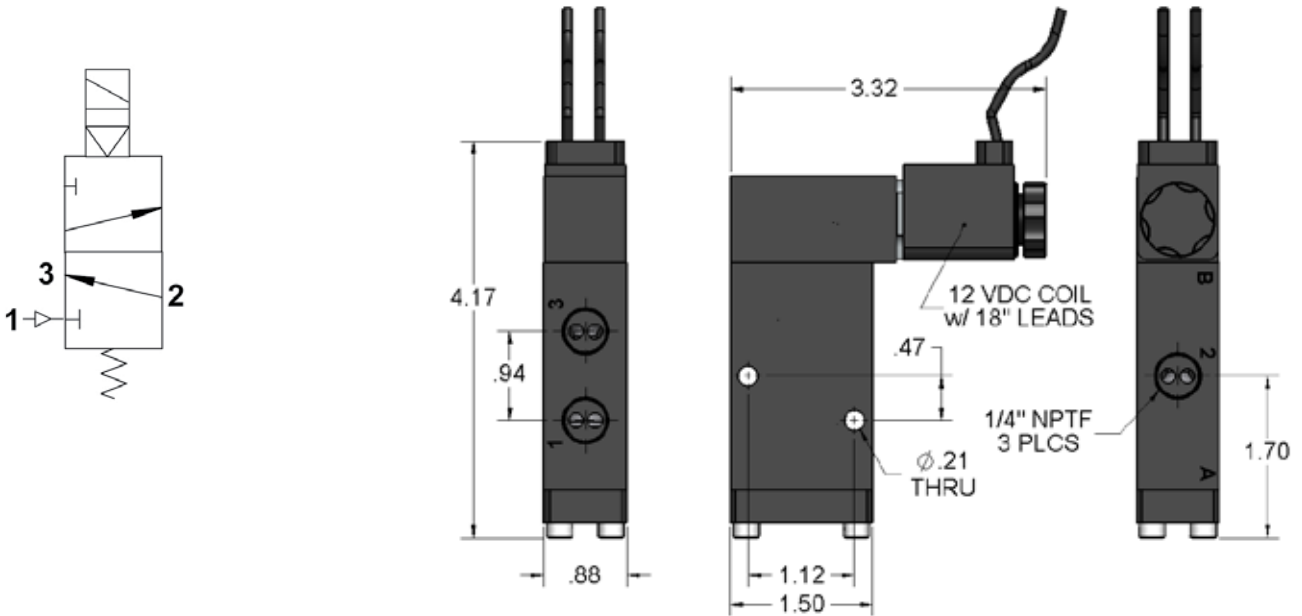
3-Way Single Solenoid, 12 Vdc, 1/4" NPT Ports

Trans-DOT TD-4242 Series valves are 3-way, normally closed 1/4" NPT port, 12 Vdc valves. Air is normally supplied to port #1. When energized, air flows from port #1 out port #2.

SPECIFICATIONS

Material	Black anodized aluminum	Temperature	-40°F to +180°F
Function	3-way, normally closed single solenoid, spring return	Options*	A = Air pilot return E = External pilot NO = Normally open RS = Solenoid rotated 90° S = Mesh screens in ports V = Vented thru exhaust
Mounting	Inline, or Thru hole mount		
Medium	Air		
Voltage	12 Vdc w/ 18" leads, NEMA 4		
Pressure	40 psi min., 150 psi max. supply		
Flow	Cv = 1.0 (48 scfm)		
Fasteners	Stainless steel		

*Add suffix to end of part number. See page 74 for option description.



TD-6242 Series Valves

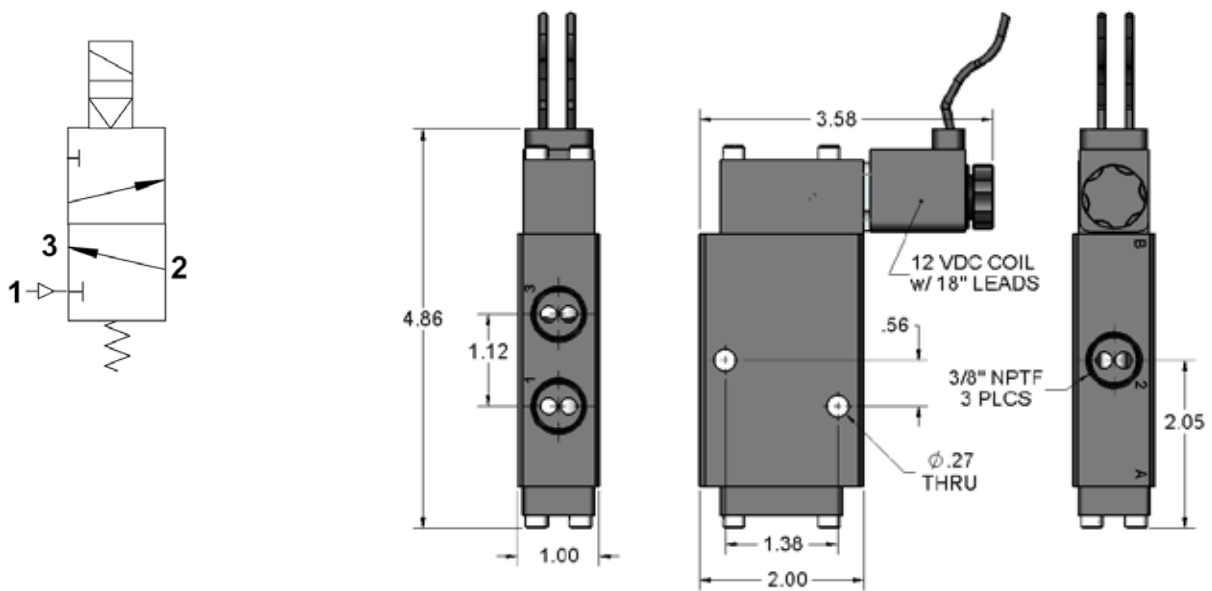
3-Way Single Solenoid, 12 Vdc, 3/8" NPT Ports

Trans-DOT TD-6242 Series valves are 3-way, normally closed, 3/8" NPT port, 12 Vdc valves. Air is normally supplied to port #1. When energized, air flows from port #1 out port #2.

SPECIFICATIONS

Material	Black anodized aluminum	Temperature	-40°F to +180°F
Function	3-way, normally closed single solenoid, spring return	Options*	A = Air pilot return E = External pilot NO = Normally open RS = Solenoid rotated 90° S = Mesh screens in ports V = Vented thru exhaust
Mounting	Inline, or Thru hole mount		
Medium	Air		
Voltage	12 Vdc w/ 18" leads, NEMA 4		
Pressure	40 psi min., 150 psi max. supply		
Flow	Cv = 2.0 (96 scfm)		
Fasteners	Stainless steel		

*Add suffix to end of part number. See page 74 for option description.



SOLENOID

TD-4262 Series Valves

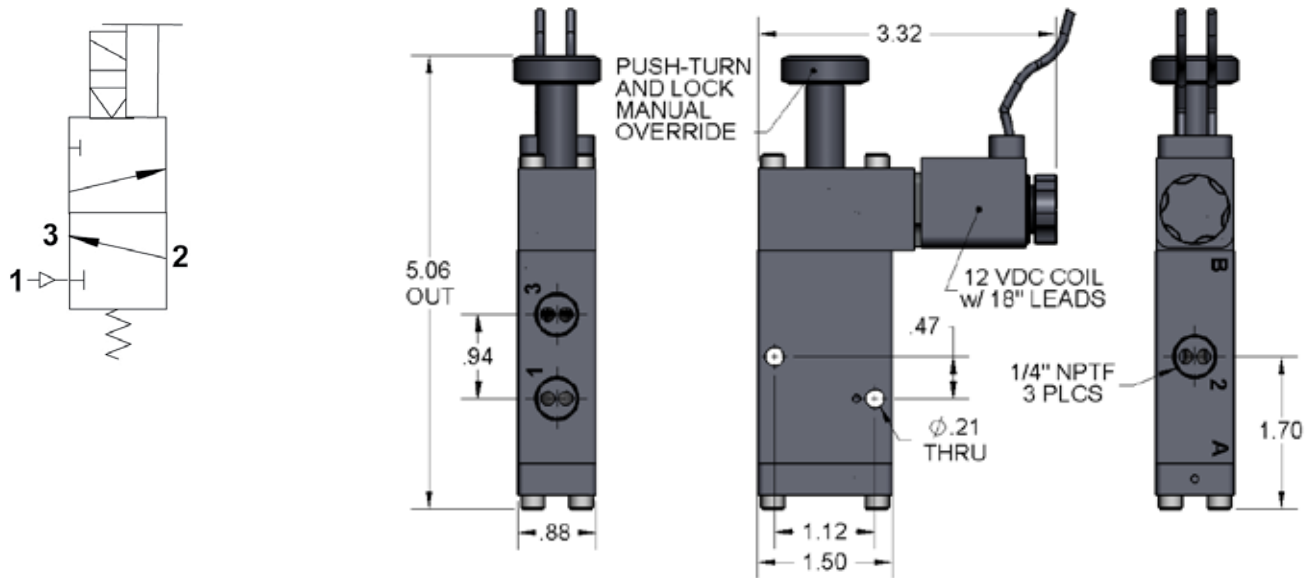
3-Way Single Solenoid, 12 Vdc, 1/4" NPT Ports w/ Manual Lock Override

TD-4262 Series valves are 3-way, normally closed 1/4" NPT port, 12 Vdc valves with push-turn-and-lock manual override. Air is normally supplied to port #1. When energized, air flows from port #1 out port #2.

SPECIFICATIONS

Material	Black anodized aluminum	Temperature	-40°F to +180°F
Function	3-way, normally closed single solenoid, spring return	Options*	A = Air pilot return E = External pilot NO = Normally open RS = Solenoid rotated 90° S = Mesh screens in ports V = Vented thru exhaust
Mounting	Inline, or Thru hole mount		
Medium	Air		
Voltage	12 Vdc w/ 18" leads, NEMA 4		
Pressure	40 psi min., 150 psi max. supply		
Flow	Cv = 1.0 (48 scfm)		
Fasteners	Stainless steel		

*Add suffix to end of part number. See page 74 for option description.



TD-6262 Series Valves

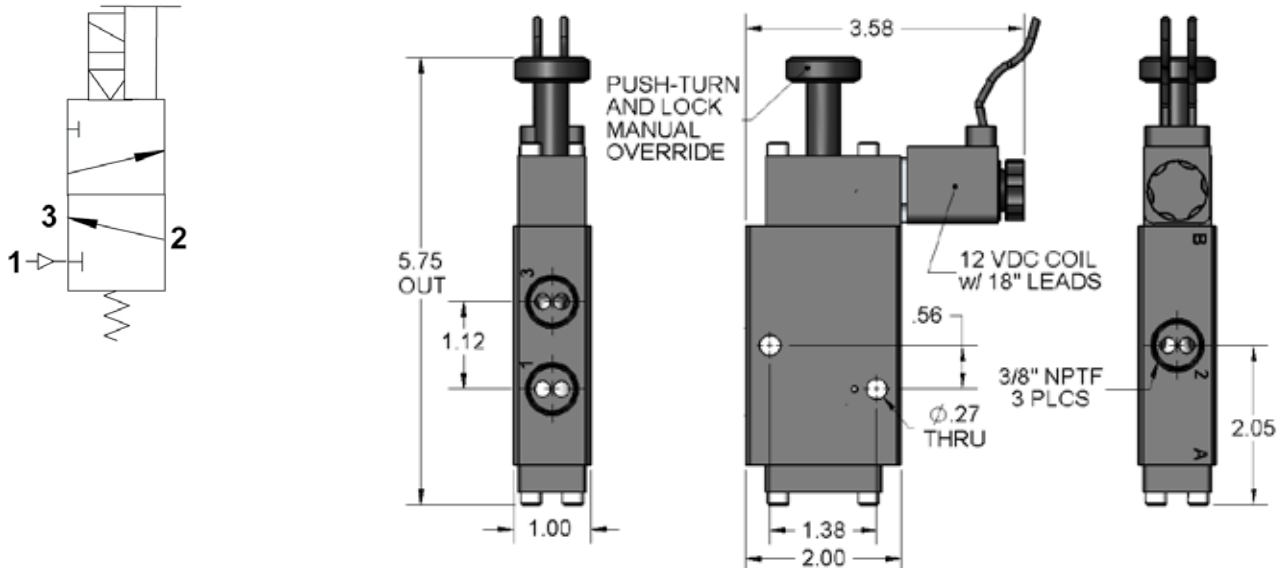
3-Way Single Solenoid, 12 Vdc, 3/8" NPT Ports w/ Manual Lock Override

TD-6262 Series valves from Trans-DOT are 3-way, normally closed, 3/8" NPT port, 12 Vdc valves with push-turn-and-lock manual override. Air is normally supplied to port #1. When energized, air flows from port #1 out port #2.

SPECIFICATIONS

Material	Black anodized aluminum	Temperature	-40°F to +180°F
Function	3-way, normally closed single solenoid, spring return	Options*	A = Air pilot return E = External pilot NO = Normally open RS = Solenoid rotated 90° S = Mesh screens in ports V = Vented thru exhaust
Mounting	Inline, or Thru hole mount		
Medium	Air		
Voltage	12 Vdc w/ 18" leads, NEMA 4		
Pressure	40 psi min., 150 psi max. supply		
Flow	Cv = 2.0 (96 scfm)		
Fasteners	Stainless steel		

*Add suffix to end of part number. See page 74 for option description.



SOLENOID

TD-4342 Series Valves

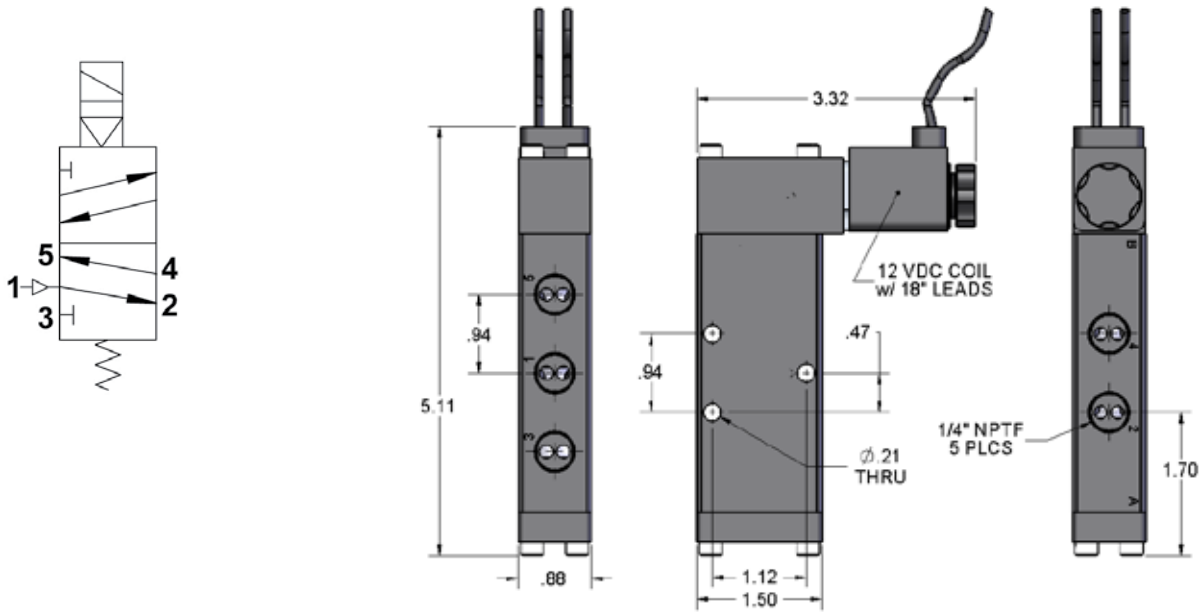
4-Way Single Solenoid, 12 Vdc, 1/4" NPT Ports

Trans-DOT TD-4342 Series valves are 4-way, normally closed 1/4" NPT, 12 Vdc valves. Air is normally supplied to port #1. Air is normally open to port #2, and from port #4 to port #5. When energized, air flows from port #1 to port #4, and port #2 is open to exhaust port #3.

SPECIFICATIONS

Material	Black anodized aluminum	Temperature	-40° F to +180° F
Function	4-way, normally closed single solenoid, spring return	Options*	A = Air pilot return
Mounting	Inline, or Thru hole mount		DP = Dual pressure supply
Medium	Air		E = External pilot
Voltage	12 Vdc w/ 18" leads, NEMA 4		RS = Solenoid rotated 90°
Pressure	40 psi min., 150 psi max. supply		S = Mesh screens in ports
Flow	Cv = 1.0 (48 scfm)		V = Vented thru exhaust
Fasteners	Stainless steel		

*Add suffix to end of part number. See page 74 for option description.



TD-6342 Series Valves

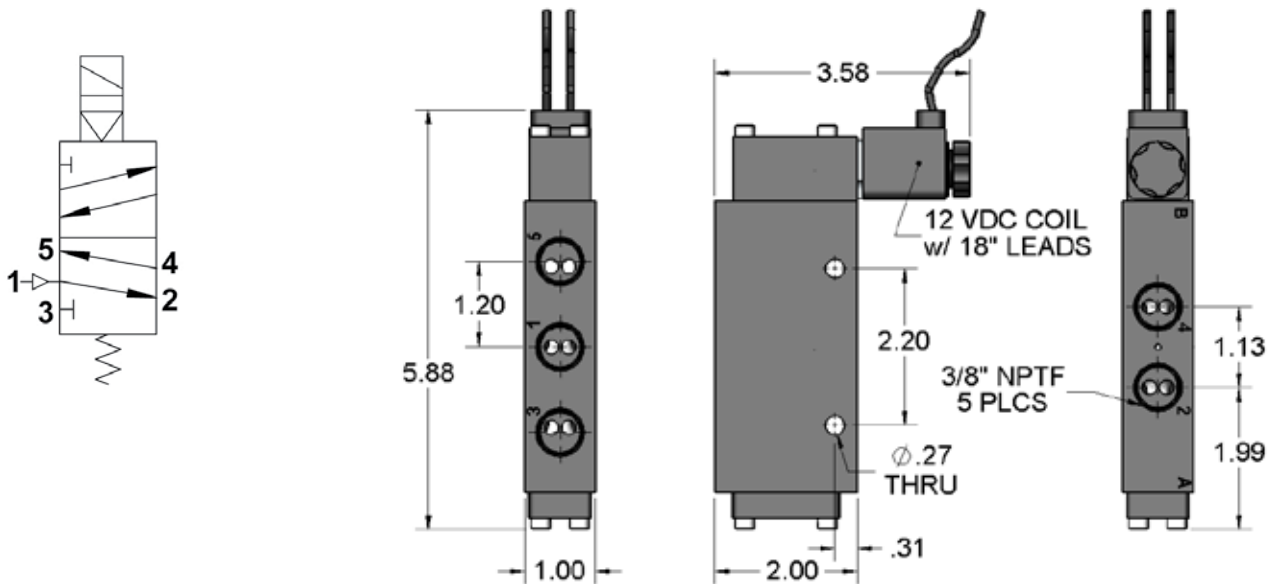
4-Way Single Solenoid, 12 Vdc, 3/8" NPT Ports

TD-6342 Series valves are 4-way, normally closed 3/8" NPT port, 12 Vdc valves. Air is normally supplied to port #1. Air is normally open to port #2. Air is normally open from port #4 to port #5. When energized, air flows from port #1 to port #4 and port #2 is open to exhaust port #3.

SPECIFICATIONS

Material	Black anodized aluminum	Temperature	-40°F to +180°F
Function	4-way, normally closed, single solenoid, spring return	Options*	A = Air pilot return
Mounting	Inline, or Thru hole mount		DP = Dual pressure supply
Medium	Air		E = External pilot
Voltage	12 Vdc w/ 18" leads, NEMA 4		RS = Solenoid rotated 90°
Pressure	40 psi min., 150 psi max. supply		S = Mesh screens in ports
Flow	Cv = 2.0 (96 scfm)		V = Vented thru exhaust
Fasteners	Stainless steel		

*Add suffix to end of part number. See page 74 for option description.



SOLENOID

TD-4352 Series Valves

4-Way Double Solenoid, 12 Vdc, 1/4" NPT Ports

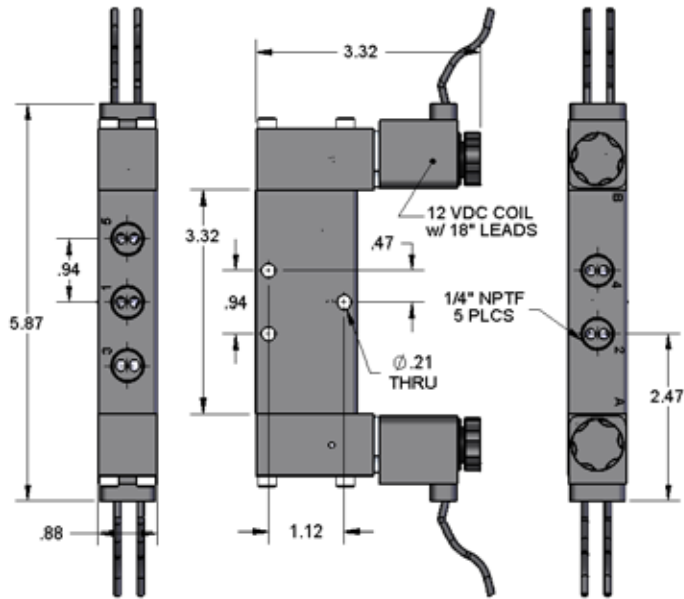
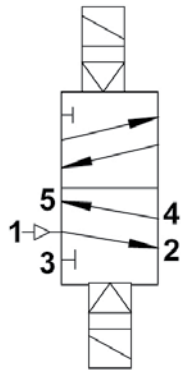
TD-4352 Series valves are 4-way, double solenoid, normally closed 1/4" NPT port, 12 Vdc valves. Air is normally supplied to port #1. Air is normally open to port #2. Air is normally open from port #4 to port #5. When energized, air flows from port #1 to port #4, and port #2 is open to exhaust port #3.

SPECIFICATIONS

Material	Black anodized aluminum
Function	4-way double solenoid
Mounting	Inline, or Thru hole mount
Medium	Air
Voltage	12 Vdc w/ 18" leads, NEMA 4
Pressure	40 psi min., 150 psi max. supply
Flow	Cv = 1.0 (48 scfm)
Fasteners	Stainless steel

Temperature	-40°F to +180°F
Options*	DP = Dual pressure supply
	E = External pilot
	RS = Solenoid rotated 90°
	S = Mesh screens in ports

*Add suffix to end of part number. See page 74 for option description.



TD-6352 Series

4-Way Double Solenoid, 12 Vdc, 3/8" NPT Ports

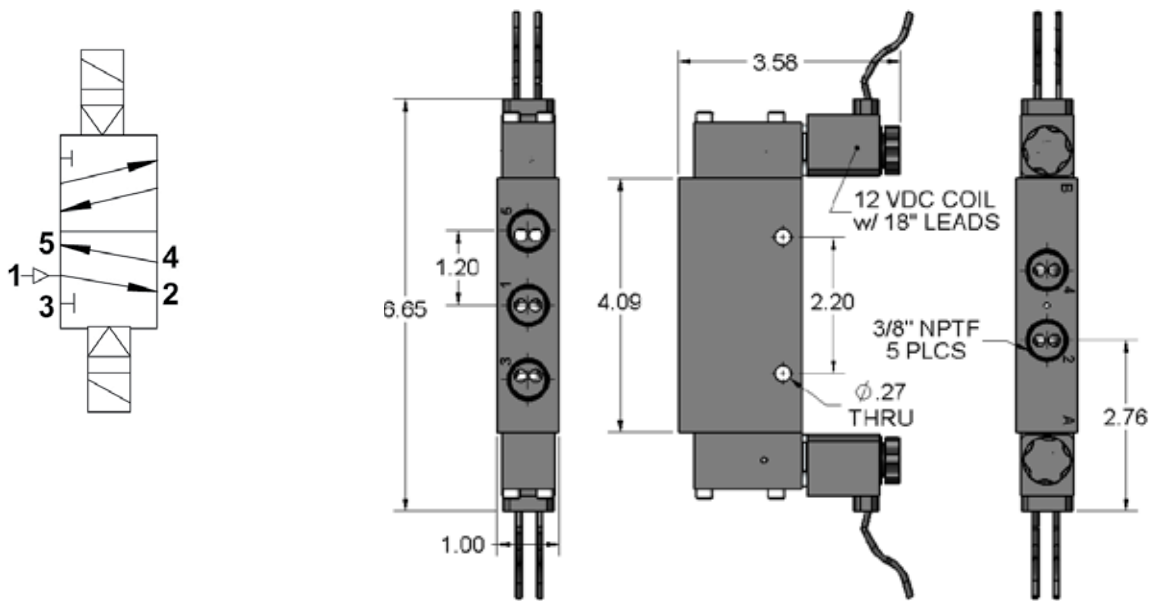
Trans-DOT TD-6352 Series valves are 4-way double solenoid, 3/8" NPT port, 12 Vdc valves. Air is normally supplied to port #1. Air is normally open to port #2, and from port #4 to port #5. When energized, air flows from port #1 to port #4 and port #2 is open to exhaust port #3.

SPECIFICATIONS

Material	Black anodized aluminum
Function	4-way double solenoid
Mounting	Inline, or Thru hole mount
Medium	Air
Voltage	12 Vdc w/ 18" leads, NEMA 4
Pressure	40 psi min., 150 psi max. supply
Flow	Cv = 1.0 (48 scfm)
Fasteners	Stainless steel

Temperature	-40° F to +180° F
Options*	DP = Dual pressure supply
	E = External pilot
	RS = Solenoid rotated 90°
	S = Mesh screens in ports

*Add suffix to end of part number. See page 74 for option description.



SOLENOID

TD-4362 Series Valves

4-Way Single Solenoid, 12 Vdc, 1/4" NPT Ports w/ Manual Lock Override

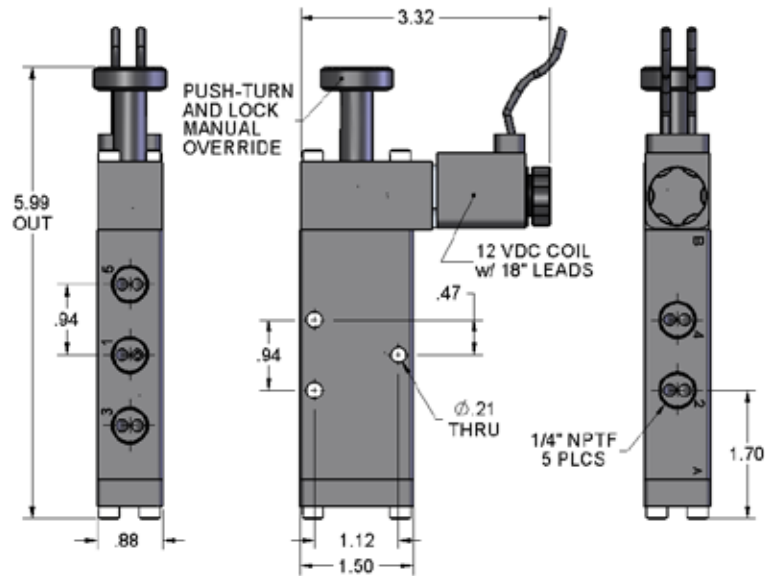
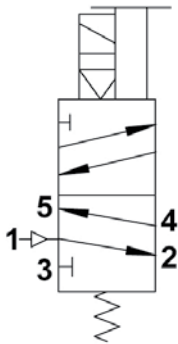
Trans-DOT TD-4362 Series valves are 4-way, 1/4" NPT port, 12 Vdc valves with push-turn-and-lock manual override. Air is normally supplied to port #1 and flows normally to port #2. Air flows freely from port #4 to port #5. When energized, air flows freely from port #1 to port #4, and port #2 flows freely to exhaust port #3.

SPECIFICATIONS

Material	Black anodized aluminum
Function	4-way, single solenoid, spring return
Mounting	Inline, or Thru hole mount
Medium	Air
Voltage	12 Vdc w/ 18" leads, NEMA 4
Pressure	40 psi min., 150 psi max. supply
Flow	Cv = 1.0 (48 scfm)
Fasteners	Stainless steel

Temperature	-40° F to +180° F
Options*	DP = Dual pressure supply E = External pilot RS = Solenoid rotated 90° S = Mesh screens in ports V = Vented thru exhaust

*Add suffix to end of part number. See page 74 for option description.



TD-6362 Series Valves

4-Way Single Solenoid, 12 Vdc, 3/8" NPT Ports w/Manual Lock Override

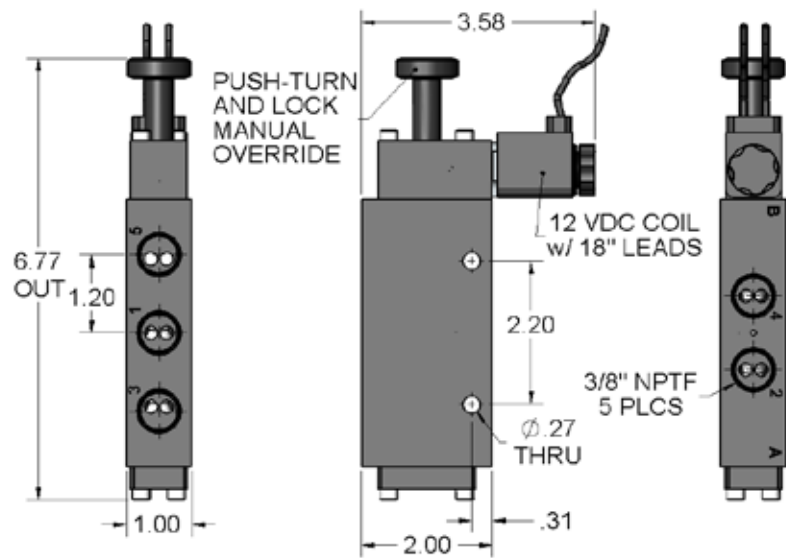
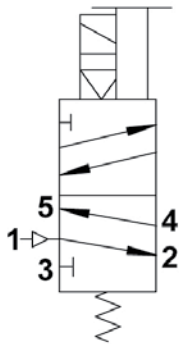
TD-6362 Series valves are 4-way, 3/8" NPT port, 12 Vdc valves with push-turn-and-lock manual override. Air is normally supplied to port #1 and flows normally to port #2. Port #4 flows freely to exhaust port #5. When energized, air flows freely from port #1 to port #4, and port #2 flows freely to exhaust port #3.

SPECIFICATIONS

Material	Black anodized aluminum
Function	4-way, single solenoid, spring return
Mounting	Inline, or Thru hole mount
Medium	Air
Voltage	12 Vdc w/ 18" leads, NEMA 4
Pressure	40 psi min., 150 psi max. supply
Flow	Cv = 2.0 (96 scfm)
Fasteners	Stainless steel

Temperature	-40°F to +180°F
Options*	DP = Dual pressure supply E = External pilot RS = Solenoid rotated 90° S = Mesh screens in ports V = Vented through exhaust

*Add suffix to end of part number. See page 74 for option description.



SOLENOID

Trans-DOT Specialty Valves



SPECIFICATIONS

Applications

Transportation: air brake systems, air suspensions and cabin controls for trucks, trailers, RVs, buses, and all transit and rail uses.

Material

CA377 brass, anodized aluminum

Customized Products

Alkon values the opportunity to develop specialized products that meet our customer's needs. The Alkon team is ready to deliver. Our engineering capabilities paired with customer requirements make the opportunities endless. Contact us today with your ideas and together we can develop the future.



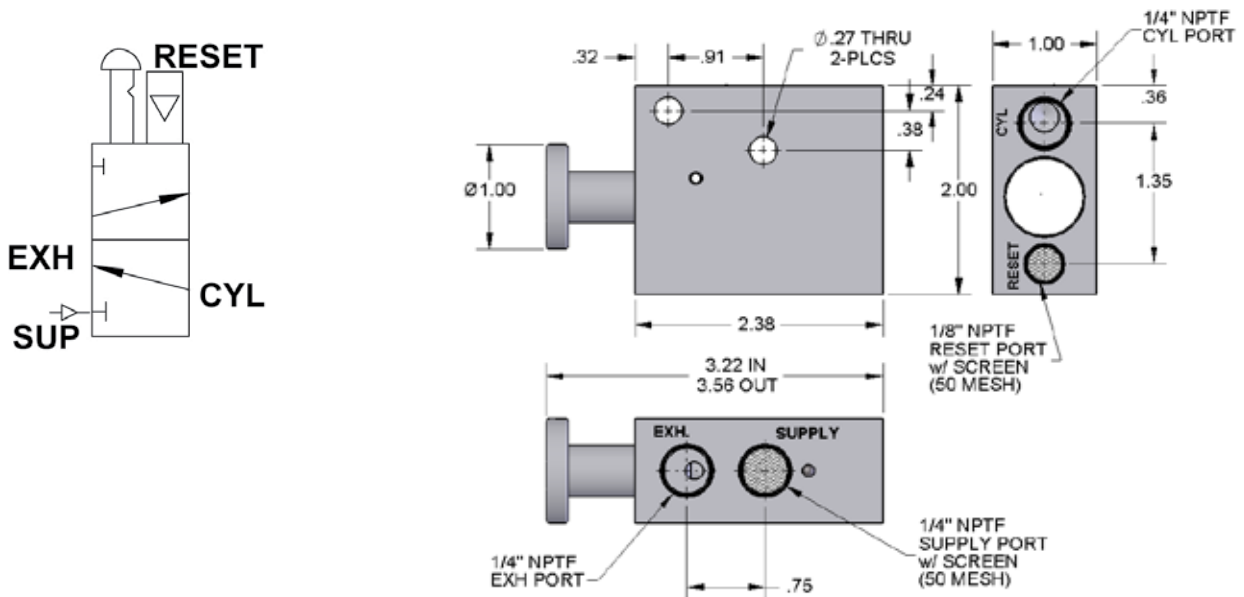
SP-3345 Series Valves

3-Way Push-Pull w/Air Pilot Reset (Typically used to actuate slider pins)

SP-3345 Series valves from Trans-DOT are 3-way push-pull valves with an air-pilot reset. With the knob pulled out, air flows from the supply to the cylinder port. With the knob pushed in, supply air is blocked and the cylinder is exhausted. When the reset port is activated with pilot air, the knob pulls in., exhausting the cylinder port. Pressurizing the reset port from the spring break pressure will ensure that the slider pin is engaged when the spring brakes are off.

SPECIFICATIONS

Material	Clear anodized aluminum
Function	3-way push-pull w/air-pilot reset
Mounting	Side mount thru holes
Medium	Air
Pressure	30 psi min., 150 max. supply (supply & reset)
Flow	Cv = 0.8 (38 scfm)
Screens	Stainless steel
Temperature	-40°F to +180°F



Note: For proper function, do not restrict the exhaust port.

SP-3358 Series Valves

3-Way Single Solenoid, 12 Vdc, 3/8" NPT Ports, Spring-Return Valve Stack

Trans-DOT SP-3358 Series valves are 3-way, 12 Vdc single solenoid, spring-return valves assembled in a stack. These valves have a common supply and a common exhaust. The stack can be configured with as few as two valves or as many as four.

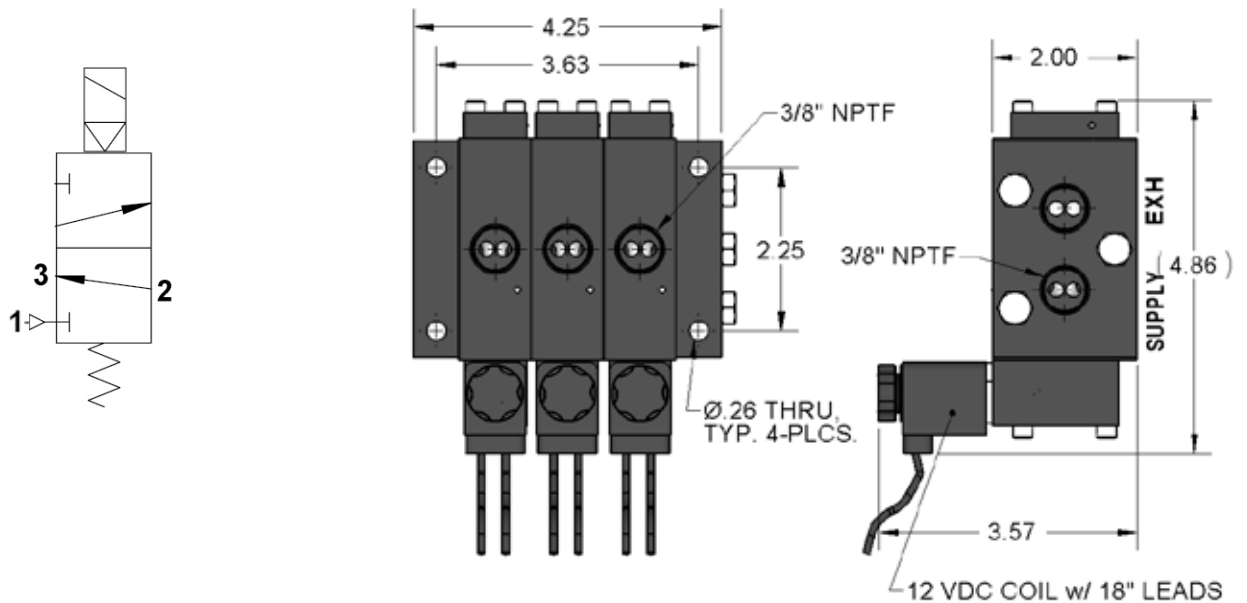
SPECIFICATIONS

Material	Black anodized aluminum
Function	3-way single solenoid, spring return
Mounting	Bottom mount
Medium	Air
Pressure	40 psi min., 150 max. supply
Flow	Cv = 2.0 (96 scfm)
Fasteners	Stainless steel
Temperature	-40° F to +180° F

Options*

- 2 = 2 valves per stack
- 3 = 3 valves per stack
- 4 = 4 valves per stack

*Add suffix to end of part number.



SPECIALTY

SP-3359 Series Valves

2-Way Pull-to-Activate Spring Return w/Built-In Inversion, 1/8" NPT Ports

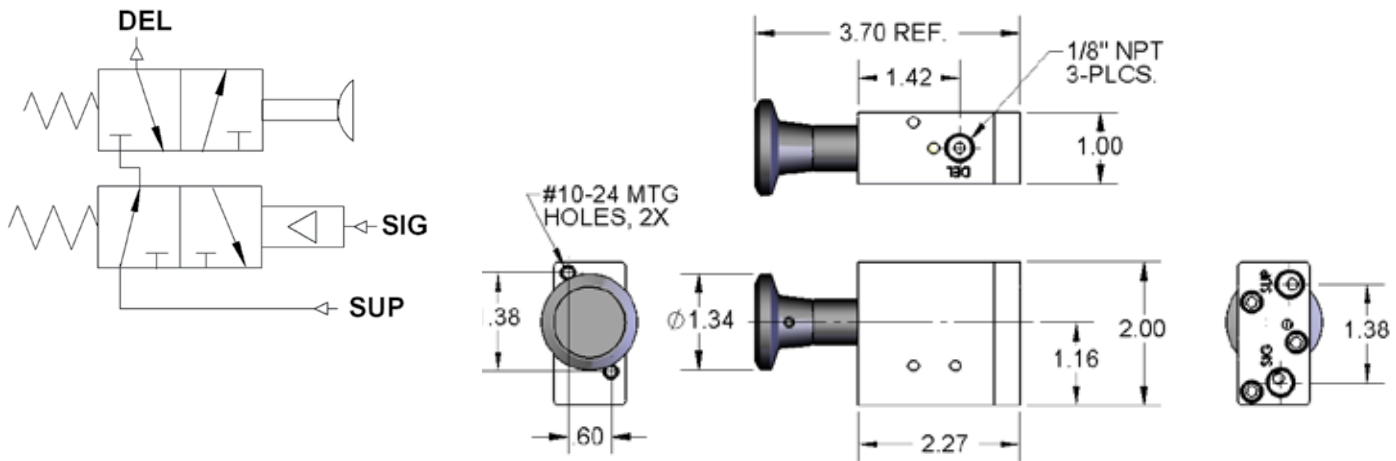
Trans-DOT SP-3359 Series valves are 2-way on/off valves, normally closed, with a built-in inversion valve. Air is connected to the supply port. Signal air is supplied to the signal port. When signal air is off, the valve can be actuated by pulling the knob, allowing air to flow out the delivery port.

SPECIFICATIONS

Material	Clear anodized aluminum
Function	2-way, pull-to-activate, spring return w/built-in inversion valve
Mounting	Face mount
Medium	Air
Pressure	50 psi min. signal air, 150 max. supply
Flow	Cv = 1.0 (48 scfm)
Fasteners	Stainless steel

Temperature -40° F to +180° F

Options Available on request



SP-4962 Series Valves

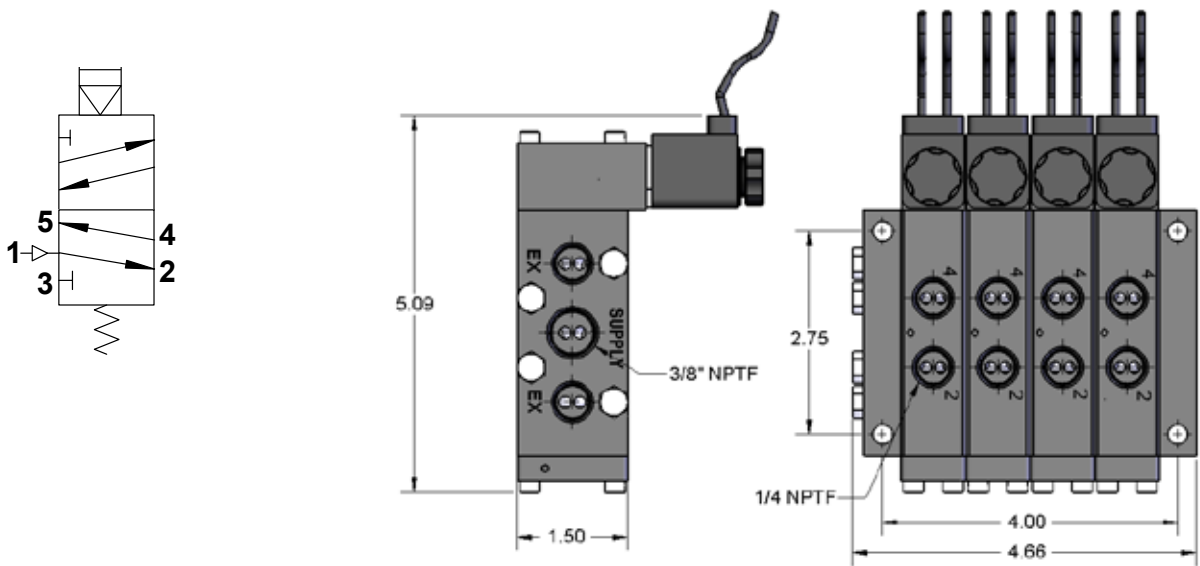
4-Way Single Solenoid Spring-Return Stack, 12 Vdc, 1/4" NPT Ports

Trans-DOT SP-4962 Series valves are 4-way, 12 Vdc, single solenoid, spring-return valves assembled in a stack. They have a common supply and a common exhaust. The stack can be configured with as few as two valves or as many as four.

SPECIFICATIONS

Material	Black anodized aluminum	Temperature	-40° F to +180° F
Function	4-way single solenoid, spring return	Options*	-2 = 2 valves per stack
Mounting	Bottom mount		-3 = 3 valves per stack
Medium	Air		-4 = 4 valves per stack
Pressure	40 psi min., 150 max. supply	Others available on request	
Flow	Cv = 1.0 (48 scfm)		
Fasteners	Stainless steel		

*Add suffix to end of part number.



SPECIALTY

TDA-6162 Lift Axle Control Valves

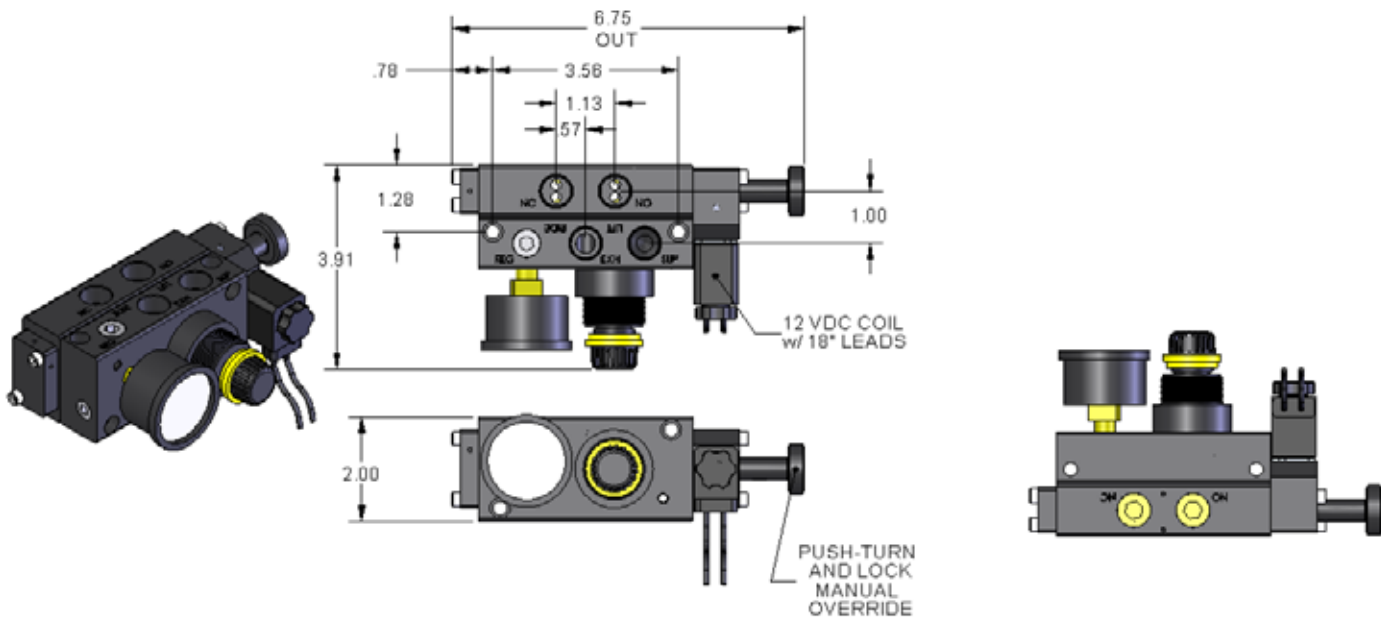
w/Built-In Regulator, 3/8" NPT Ports

Trans-DOT TDA-6162 Series valves are 3/8" NPT lift axle control valves set up for dual-regulated supply. They are equipped with a push-turn-and-lock manual override and a gage for setting the regulated pressure. These valves can be set up normally open or normally closed. They can be configured plumb on one side, allowing easier mounting in tight configurations.

SPECIFICATIONS

Material	Black anodized aluminum
Function	4-way single solenoid, spring return
Mounting	Bottom mount or side mount
Medium	Air
Pressure	40 psi min., 150 max. supply
Flow	Cv = 2.0 (96 scfm)
Fasteners	Stainless steel
Temperature	-40°F to +180°F

Options Available on request



KV-001 Series Valves

3-Way Single Solenoid, 12 Vdc, 1/4" NPT Ports w/Pressure Control

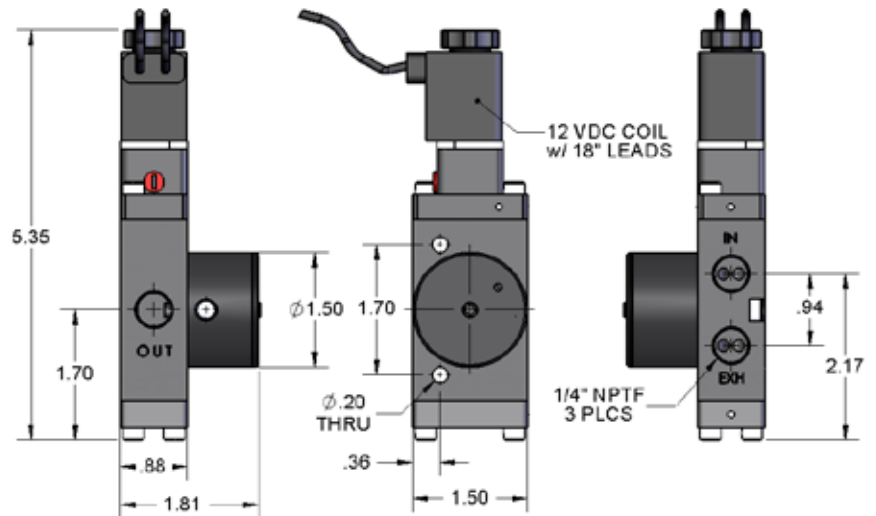
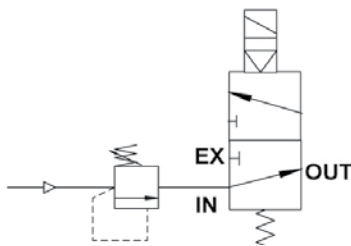
Trans-DOT KV-001 Series valves are 3-way, 1/4" NPT, 12 Vdc valves with manual override. Air is normally supplied to the IN port and flows normally open to the OUT port. A preset minimum pressure of 60 psi is required to allow flow through the valve. When the valve is energized, downstream pressure is exhausted.

SPECIFICATIONS

Material	Black anodized aluminum
Function	3-way single solenoid, spring return
Mounting	Side mount
Medium	Air
Preset Pressure	60 psi
Pressure	40 psi min., 150 max. supply
Voltage	12 Vdc w/18" leads, NEMA 4
Flow	Cv = 1.0 (48 scfm)

Fasteners	Stainless steel
Temperature	-40° F to +180° F

Options Available on request



SPECIALTY

Emergency Repair Kits

With the Alkon Trans-DOT Emergency Repair Kit, fixing a malfunction is easier than ever. Everything you need is in the kit! Once you've located the problem, just use the tube cutter (included) to make a clean cut. Then push to connect the tubing into a Trans-DOT fitting to create an airtight seal. That's it!

With the Trans-DOT ER Kit, you'll be back on the road in a flash with a machine running as smoothly as ever. And isn't that what all your planning is for?

Order Number

AQ62-DOT-KIT-1

Includes

Reusable push-in unions for 1/4", 3/8" and 1/2" tubing, tubing in matching diameters and tube cutter

AQ62-DOT-KIT-2

Reusable push-in unions for 5/32", 1/4", 3/8" and 5/8" tubing, tubing in matching diameters and tube cutter

