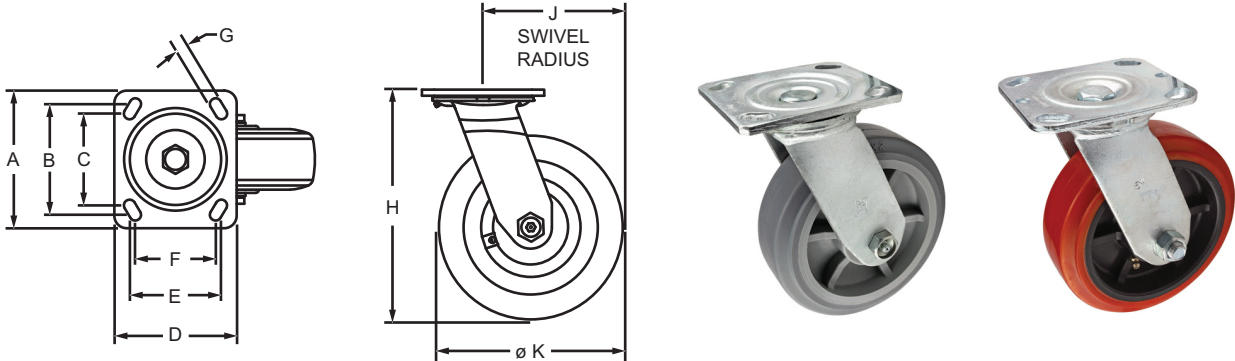


Part Description:

The heavy-duty flange mount swivel caster is a foot that adds mobility to an application and commonly mounts to the T-slot profile end or side using a base plate. The swivel enables easy movement and pivot turns while the design allows for quick access to lubrication fittings. It is a heavy-duty and oil resistant option with a higher ground clearance. It's ideal for use in industrial settings such as large workstations and material handling solutions. For base plate options see page 633.



Part No.	Series	A	B	C	D	E	F	G	H	J	K	Load Height	Load Capacity	Weight
2700	F	4.500"	3.625"	3.000"	4.000"	3.000"	2.625"	.420"	6.500"	3.875"	5.000"	6.500"	375.00 lb	4.320 lb
2704	F	4.500"	3.625"	3.000"	4.000"	3.000"	2.625"	.420"	7.500"	4.562"	6.000"	7.500"	550.00 lb	4.585 lb
2708	F	4.500"	3.625"	3.000"	4.000"	3.000"	2.625"	.420"	6.500"	3.875"	5.000"	6.500"	700.00 lb	4.419 lb
2712	F	4.500"	3.625"	3.000"	4.000"	3.000"	2.625"	.420"	7.500"	4.562"	6.000"	7.500"	900.00 lb	4.766 lb
40-2700	M	114.30mm	92.08mm	76.20mm	101.60mm	76.20mm	66.68mm	10.67mm	165.10mm	98.43mm	127.00mm	165.10mm	117.45 kg	2.0126 kg
40-2704	M	114.30mm	92.08mm	76.20mm	101.60mm	76.20mm	66.68mm	10.67mm	190.50mm	115.88mm	152.40mm	190.50mm	250.00 kg	2.0561 kg
40-2708	M	114.30mm	92.08mm	76.20mm	101.60mm	76.20mm	66.68mm	10.67mm	165.10mm	98.43mm	127.00mm	165.10mm	318.18 kg	2.0300 kg
40-2712	M	114.30mm	92.08mm	76.20mm	101.60mm	76.20mm	66.68mm	10.67mm	190.50mm	115.88mm	152.40mm	190.50mm	409.09 kg	2.2244 kg

Material Specifications

Part No.	Material	Finish	Color
2700	Steel / Soft Rubber	Zinc	Gray
2704			
2708	Steel / Hard Rubber		Red on Black
2712			
40-2700	Steel / Soft Rubber		Gray
40-2704			
40-2708	Steel / Hard Rubber	Red on Black	
40-2712			

Suggested Hardware (Mount to Base Plate)

Part No.	Series	Qty.	Bolt
3125	F	4	3/8-16 x 3/4" SHCS
13-1520	M	4	M10 x 20mm SHCS

