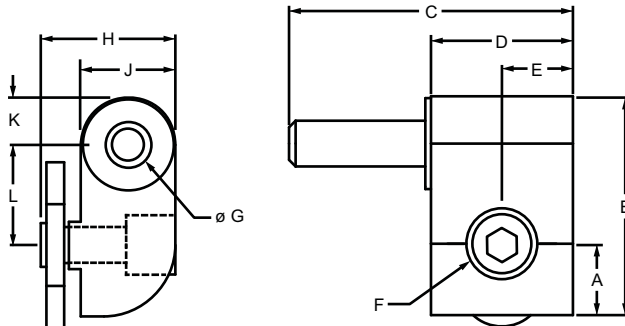


80/20[®] Inc. Standard Lift-Off Hinge - Left Hand with Single Long Pin

Part Description:

The standard lift-off hinge – left hand with single long pin is made of anodized aluminum. The heavy-duty stainless steel hinge pin provides a smooth, long-lasting, strong connection. The captivated nylon thrust washer eliminates metal-to-metal contact and won't fall out. When the long pin is placed in the upper position it simplifies door assembly. Hinges with long pins are commonly used to create lift-off assemblies (pages 525-527). The mounting hardware is included.



Part No.	Series	A	B	C	D	E	F	G	H	J	K	L	Weight
2074	10	.377"	1.156"	1.500"	.750"	.375"	10-32	.242"	.750"	.500"	.250"	.529"	.060 lb
2074-Black	10	.377"	1.156"	1.500"	.750"	.375"	10-32	.242"	.750"	.500"	.250"	.529"	.060 lb
2094	15	.625"	1.655"	1.500"	.750"	.375"	1/4-20	.242"	.875"	.500"	.250"	.780"	.087 lb
2094-Black	15	.625"	1.655"	1.500"	.750"	.375"	1/4-20	.242"	.875"	.500"	.250"	.780"	.087 lb
25-2074	25	9.40mm	29.00mm	38.05mm	19.05mm	9.53mm	M5 x 0.8	6.15mm	18.90mm	13.00mm	6.20mm	13.40mm	.0267 kg
25-2074-Black	25	9.40mm	29.00mm	38.05mm	19.05mm	9.53mm	M5 x 0.8	6.15mm	18.90mm	13.00mm	6.20mm	13.40mm	.0267 kg
40-2094	40	16.85mm	43.60mm	38.05mm	19.05mm	9.53mm	M6 x 1.0	6.15mm	18.90mm	13.00mm	6.12mm	20.70mm	.0436 kg
40-2094-Black	40	16.85mm	43.60mm	38.05mm	19.05mm	9.53mm	M6 x 1.0	6.15mm	18.90mm	13.00mm	6.12mm	20.70mm	.0436 kg

*The gap distance between the two mating profiles is .063" (1.60mm)

Material Specifications

Part No.	Material	Alloy*	Process	Finish
2074	Aluminum	6105-T5	Milled	Clear Anodize
2074-Black				Black Anodize
2094				Clear Anodize
2094-Black				Black Anodize
25-2074				Clear Anodize
25-2074-Black				Black Anodize
40-2094				Clear Anodize
40-2094-Black				Black Anodize

* Or comparable

Included Hardware (Mount to T-Slot)

Series	Part No.	Qty.	Bolt	Part No.	Qty.	T-Nut
10	3048	1	10-32 x 1/2" SHCS (Black)	3276	1	Economy
15	3067	1	1/4-20 x 5/8" SHCS (Black)	3286	1	Economy
25	13-5512	1	M5 x 12mm SHCS (Blue)	25-1951	1	Economy
40	13-6516	1	M6 x 16mm SHCS (Blue)	3836	1	Economy

