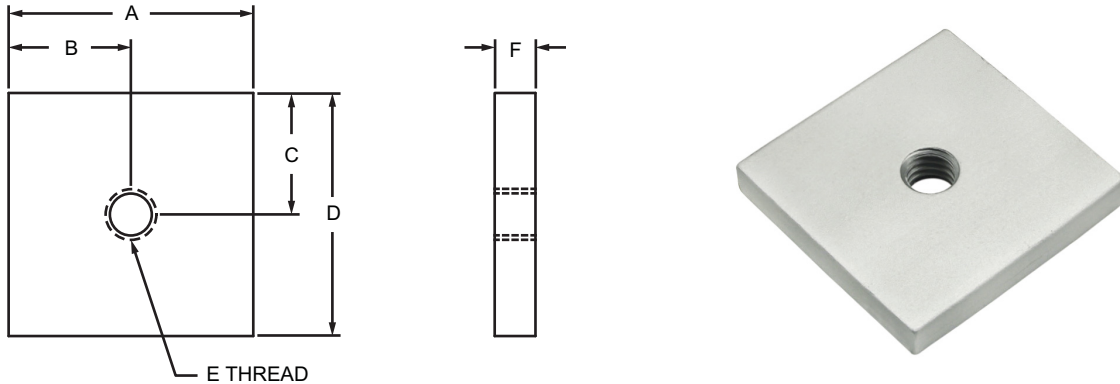


Narrow Backing Plate

Part Description:

The narrow backing plate is used with the single arm narrow mesh retainer (page 490) or the double arm narrow mesh retainer (page 494) to secure wire mesh or panels. The suggested hardware for the narrow backing plate should be based on the mesh or panel type and thickness.



| Part No. | Series | Material | Alloy* | Process | Finish | A | B | C | D | E | F | Weight |
|---------------|--------|----------|---------|---------|---------------|---------|---------|---------|---------|-----------|--------|----------|
| 2492 | 10 | Aluminum | 6105-T5 | Milled | Clear Anodize | 1.000" | .500" | .500" | 1.000" | 1/4-20 | .188" | .018 lb |
| 2492-Black | 10 | | | | Black Anodize | 1.000" | .500" | .500" | 1.000" | 1/4-20 | .188" | .018 lb |
| 2438 | 15 | | | | Clear Anodize | 1.50" | .750" | .745" | 1.49" | 5/16-18 | .250" | .053 lb |
| 2438-Black | 15 | | | | Black Anodize | 1.50" | .750" | .745" | 1.49" | 5/16-18 | .250" | .053 lb |
| 20-2492 | 20 | | | | Clear Anodize | 32.00mm | 16.00mm | 9.53mm | 19.05mm | M5 x 0.8 | 4.78mm | .0077 kg |
| 20-2492-Black | 20 | | | | Black Anodize | 32.00mm | 16.00mm | 9.53mm | 19.05mm | M5 x 0.8 | 4.78mm | .0077 kg |
| 25-2492 | 25 | | | | Clear Anodize | 32.00mm | 16.00mm | 12.50mm | 25.00mm | M6 x 1.0 | 4.00mm | .0081kg |
| 25-2492-Black | 25 | | | | Black Anodize | 32.00mm | 16.00mm | 12.50mm | 25.00mm | M6 x 1.0 | 4.00mm | .0081 kg |
| 30-2438 | 30 | | | | Clear Anodize | 30.00mm | 15.00mm | 12.50mm | 25.00mm | M8 x 1.25 | 4.00mm | .0100 kg |
| 30-2438-Black | 30 | | | | Black Anodize | 30.00mm | 15.00mm | 12.50mm | 25.00mm | M8 x 1.25 | 4.00mm | .0100 kg |
| 40-2438 | 40 | | | | Clear Anodize | 40.00mm | 20.00mm | 19.89mm | 39.80mm | M8 x 1.25 | 6.00mm | .0245 kg |
| 40-2438-Black | 40 | | | | Black Anodize | 40.00mm | 20.00mm | 19.89mm | 39.80mm | M8 x 1.25 | 6.00mm | .0245 kg |
| 45-2438 | 45 | | | | Clear Anodize | 45.00mm | 22.50mm | 19.89mm | 39.80mm | M8 x 1.25 | 6.00mm | .0278 kg |
| 45-2438-Black | 45 | | | | Black Anodize | 45.00mm | 22.50mm | 19.89mm | 39.80mm | M8 x 1.25 | 6.00mm | .0278 kg |

* Or comparable

Suggested Hardware (Mount to Backing Plate)

| Part No. | Series | Qty. | Bolt |
|----------|--------|------|-----------------------|
| 3063 | 10 | 1 | 1/4-20 x 1/2 BHSCS |
| 3114 | 15 | 1 | 5/16-18 x 11/16 BHSCS |
| 11-5310 | 20 | 1 | M5 x 10mm BHSCS |
| 13-6312 | 25 | 1 | M6 x 12mm BHSCS |
| 11-8316 | 30 | 1 | M8 x 16mm BHSCS |
| 13-8320 | 40 | 1 | M8 x 20mm BHSCS |
| 11-8318 | 45 | 1 | M8 x 18mm BHSCS |

