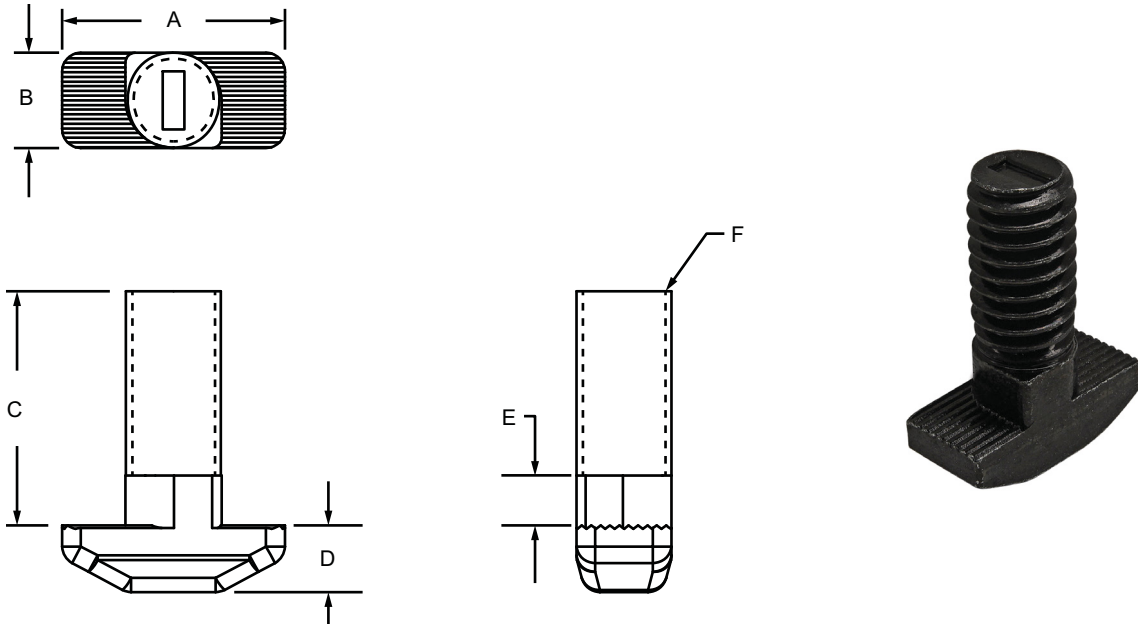


## Drop-In T-Slot Stud

FASTENERS



Part No.	Series	Material	Finish	A	B	C (Length)	D	E	F (Thread)	Weight
3293	<b>15</b>	Steel	Black Zinc	.713"	.305"	.750"	.213"	.160"	5/16-18	.024 lb
3295	<b>15</b>			.713"	.305"	1.000"	.213"	.160"	5/16-18	.027 lb
3297	<b>15</b>			.713"	.305"	1.250"	.213"	.160"	5/16-18	.032 lb
3299	<b>15</b>			.713"	.305"	1.500"	.213"	.160"	5/16-18	.036 lb