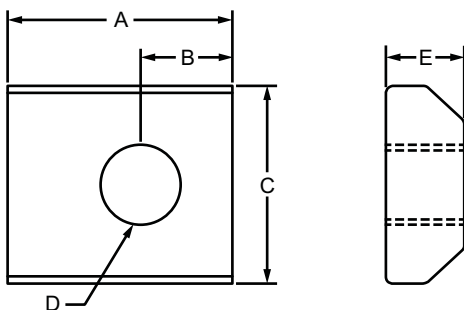


## Standard Slide-In T-Nut

### Part Description:

The standard slide-in T-nut is a fastening option that loads from the profile ends. It is a strong, durable connection that is available with options in size, thread, and finish. It can be customized up to 36" (91.44cm). For information on 80/20 screw and bolt offerings for the standard slide-in T-nut refer to pages beginning on 387.



### 10 Series Standard Slide-In T-Nut

Part No.	Series	Type	Material	Grade	Finish	A	B	C	D (Thread)	E	Weight
3205	10	Standard T-Nut	Steel	1215	Black Zinc	.490"	.200"	.431"	10-32	.171"	.008 lb
3705	10	Standard T-Nut			Bright Zinc	.490"	.200"	.431"	10-32	.171"	.007 lb
3204	10	Standard T-Nut			Black Zinc	.490"	.200"	.431"	1/4-20	.171"	.007 lb
3206	10	Standard T-Nut			Black Zinc	.490"	.200"	.431"	M5 x 0.8	.171"	.008 lb
3871	10	Standard T-Nut			Bright Zinc	.490"	.200"	.431"	M5 x 0.8	.171"	.008 lb
3873	10	Standard T-Nut			Bright Zinc	.490"	.200"	.431"	M6 x 1.0	.171"	.007 lb
8901	10	Custom T-Nut			Mill	Per Your Drawing	Per Your Drawing	.431"	Per Your Drawing	.171"	.019 lb / in.
8901-36	10	T-Nut Profile			Mill	36.000"	Per Your Drawing	.431"	Per Your Drawing	.171"	.684 lb
8901-145	10	T-Nut Profile			Mill	145.000"	Per Your Drawing	.431"	Per Your Drawing	.171"	2.755 lb

### 15 Series Standard Slide-In T-Nut

Part No.	Series	Type	Material	Grade	Finish	A	B	C	D (Thread)	E	Weight
3201	15	Standard T-Nut	Steel	1215	Black Zinc	.700"	.281"	.625"	10-32	.243"	.025 lb
3202	15	Standard T-Nut			Black Zinc	.700"	.281"	.625"	1/4-20	.243"	.024 lb
3203	15	Standard T-Nut			Black Zinc	.700"	.281"	.625"	5/16-18	.243"	.022 lb
3866	15	Standard T-Nut			Bright Zinc	.700"	.281"	.625"	M6 x 1.0	.243"	.025 lb
3703	15	Standard T-Nut			Bright Zinc	.700"	.281"	.625"	5/16-18	.243"	.022 lb
3868	15	Standard T-Nut			Bright Zinc	.700"	.281"	.625"	M8 x 1.25	.243"	.022 lb
8900	15	Custom T-Nut			Mill	Per Your Drawing	Per Your Drawing	.625"	Per Your Drawing	.243"	.040 lb / in.
8900-36	15	T-Nut Profile			Mill	36.000"	Per Your Drawing	.625"	Per Your Drawing	.243"	1.440 lb
8900-145	15	T-Nut Profile			Mill	145.000"	Per Your Drawing	.625"	Per Your Drawing	.243"	5.800 lb

CONTINUE