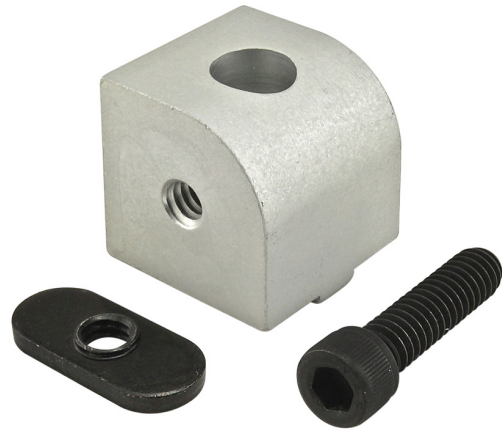
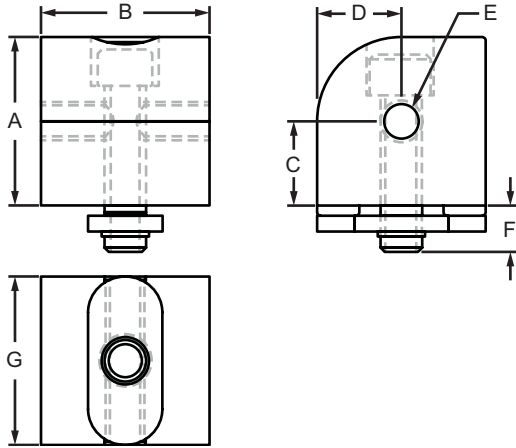


0 Degree Structural Right Angle Pivot Nub

Part Description:

The 0 degree structural right angle pivot nub is an external fastening method commonly used as a connection hub to create a structural pivot ranging from 0-90 degrees parallel to the mounting profile. It has a slot tab that helps prevent the nub from rotating as well as assists with alignment in the T-slot. The 0 degree structural right angle pivot nub requires no machining services and can be easily assembled, lending itself to repositioning and reuse.



Part No.	Series	Color	A	B	C	D	E	F	G	Weight
4001	10	Clear	1.000"	1.000"	.500"	.500"	1/4-20	.275"	1.000"	.107 lb
4001-Black	10	Black	1.000"	1.000"	.500"	.500"	1/4-20	.275"	1.000"	.107 lb
4401	15	Clear	1.500"	1.500"	.750"	.750"	5/16-18	.450"	1.500"	.344 lb
4401-Black	15	Black	1.500"	1.500"	.750"	.750"	5/16-18	.450"	1.500"	.344 lb

Material Specifications

Material	Alloy*	Process	Finish
Aluminum	6105-T5	Milled	Anodize

* Or comparable

Included Hardware (Mount Nub to T-Slot)

Part No.	Series	Qty.	Bolt	T-Nut
3306	10	1	1/4-20 x 1" SHCS	Economy
3613	15	1	5/16-18 x 1.5" SHCS	Economy

Suggested Hardware (Mount Arm to Nub)

Part No.	Series	Qty.	Bolt
3342	10	2	1/4-20 x 1/2" FBHSCS
3330	15	2	5/16-18 x 11/16" FBHSCS

