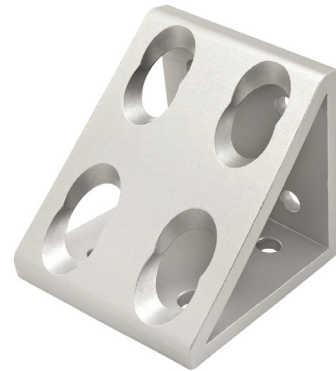
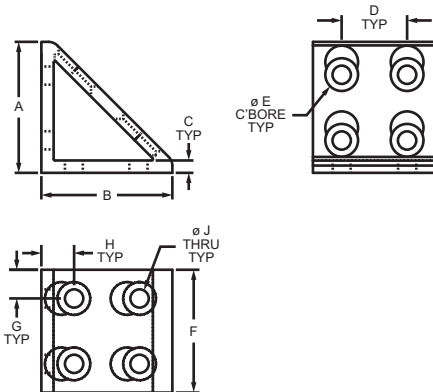


8 Hole - Gusseted Inside Corner Bracket

80/20[®] Inc.

Part Description:

The 8 hole - gusseted inside corner bracket is a strong, external fastening method that creates a 90 degree connection. It has four holes, comprised of two rows and two columns, on each side of the bracket. It requires no machining services and can provide infinite positioning along the profile T-slot, allowing a large degree of adjustability. The shape of the gusset provides extra material, strengthening the connection. It is a fastening method that can be repositioned and reused.



Part No.	Series	Material	Alloy*	Finish	A	B	C	D	E	F	G	H	J	Weight	
4138	10	Aluminum	6105-T5	Clear Anodize	2.000"	2.000"	.188"	1.000"	.500"	1.875"	.438"	.500"	.281"	.170 lb	
4138-Black	10			Black Anodize	2.000"	2.000"	.188"	1.000"	.500"	1.875"	.438"	.500"	.500"	.281"	.170 lb
4338	15			Clear Anodize	3.000"	3.000"	.250"	1.500"	.750"	2.812"	.656"	.750"	.328"	.532 lb	
4338-Black	15			Black Anodize	3.000"	3.000"	.250"	1.500"	.750"	2.812"	.656"	.750"	.328"	.532 lb	
25-4138	25			Clear Anodize	50.00mm	50.00mm	4.00mm	25.00mm	12.70mm	47.00mm	11.00mm	12.50mm	6.80mm	.0662 kg	
25-4138-Black	25			Black Anodize	50.00mm	50.00mm	4.00mm	25.00mm	12.70mm	47.00mm	11.00mm	12.50mm	6.80mm	.0662 kg	
30-4338	30			Clear Anodize	60.00mm	60.00mm	4.00mm	30.00mm	12.70mm	57.00mm	13.50mm	15.00mm	6.81mm	.1054 kg	
30-4338-Black	30			Black Anodize	60.00mm	60.00mm	4.00mm	30.00mm	12.70mm	57.00mm	13.50mm	15.00mm	6.81mm	.1054 kg	
40-4338	40			Clear Anodize	80.00mm	80.00mm	6.00mm	40.00mm	20.00mm	76.00mm	18.00mm	20.00mm	8.30mm	.2626 kg	
40-4338-Black	40			Black Anodize	80.00mm	80.00mm	6.00mm	40.00mm	20.00mm	76.00mm	18.00mm	20.00mm	8.30mm	.2626 kg	
45-4338	45			Clear Anodize	90.00mm	90.00mm	6.00mm	45.00mm	20.00mm	87.00mm	21.00mm	22.50mm	8.33mm	.3633 kg	
45-4338-Black	45			Black Anodize	90.00mm	90.00mm	6.00mm	45.00mm	20.00mm	87.00mm	21.00mm	22.50mm	8.33mm	.3633 kg	

* Or comparable

Suggested Hardware (Mount to T-Slot)

Part No.	Series	Qty.	Bolt	T-Nut
3393	10	8	1/4-20 x 1/2" BHSCS	Economy
3320	15	8	5/16-18 x 11/16" FBHSCS	Economy
75-3404	25	8	M6 x 10mm BHSCS	Economy
75-3600	30	8	M6 x 12mm BHSCS	Drop-In
75-3422	40	8	M8 x 16mm BHSCS	Economy
75-3619	45	8	M8 x 18mm BHSCS	Drop-In

