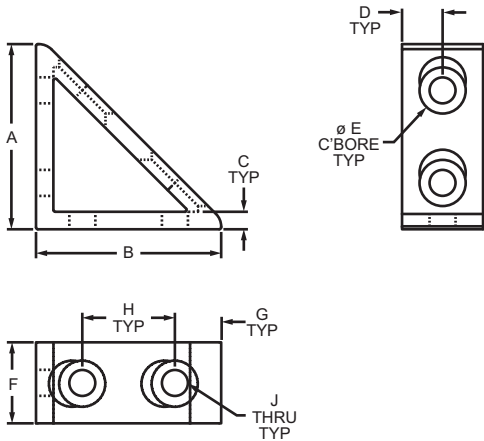


4 Hole - Tall Gusseted Inside Corner Bracket

80/20[®] Inc.

Part Description:

The 4 hole - tall gusseted inside corner bracket is a strong, external fastening method that creates a 90 degree connection. Each side of the bracket has two holes stacked one on top of the other. It requires no machining services and can provide infinite positioning along the profile T-slot, allowing a large degree of adjustability. The shape of the gusset provides extra material, strengthening the connection. It is a fastening method that can be repositioned and reused.



Part No.	Series	Material	Alloy*	Finish	A	B	C	D	E	F	G	H	J	Weight
4136	10	Aluminum	6105-T5	Clear Anodize	2.000"	2.000"	.188"	.438"	.500"	.875"	.500"	1.000"	.281"	.078 lb
4136-Black	10			Black Anodize	2.000"	2.000"	.188"	.438"	.500"	.875"	.500"	1.000"	.281"	.078 lb
4336	15			Clear Anodize	3.000"	3.000"	.250"	.656"	.750"	1.312"	.750"	1.500"	.328"	.243 lb
4336-Black	15			Black Anodize	3.000"	3.000"	.250"	.656"	.750"	1.312"	.750"	1.500"	.328"	.243 lb
25-4136	25			Clear Anodize	50.00mm	50.00mm	4.00mm	11.00mm	12.70mm	22.00mm	12.50mm	25.00mm	6.80mm	.0354 kg
25-4136-Black	25			Black Anodize	50.00mm	50.00mm	4.00mm	11.00mm	12.70mm	22.00mm	12.50mm	25.00mm	6.80mm	.0354 kg
30-4336	30			Clear Anodize	60.00mm	60.00mm	4.00mm	13.50mm	12.70mm	27.00mm	15.00mm	30.00mm	6.81mm	.0496 kg
30-4336-Black	30			Black Anodize	60.00mm	60.00mm	4.00mm	13.50mm	12.70mm	27.00mm	15.00mm	30.00mm	6.81mm	.0496 kg
40-4336	40			Clear Anodize	80.00mm	80.00mm	6.00mm	18.00mm	20.00mm	36.00mm	20.00mm	40.00mm	8.30mm	.1234 kg
40-4336-Black	40			Black Anodize	80.00mm	80.00mm	6.00mm	18.00mm	20.00mm	36.00mm	20.00mm	40.00mm	8.30mm	.1234 kg
45-4336	45			Clear Anodize	90.00mm	90.00mm	6.00mm	21.00mm	20.00mm	42.00mm	22.50mm	45.00mm	8.33mm	.1747 kg
45-4336-Black	45			Black Anodize	90.00mm	90.00mm	6.00mm	21.00mm	20.00mm	42.00mm	22.50mm	45.00mm	8.33mm	.1747 kg

* Or comparable

Suggested Hardware (Mount to T-Slot)

Part No.	Series	Qty.	Bolt	T-Nut
3393	10	4	1/4-20 x 1/2" BHSCS	Economy
3320	15	4	5/16-18 x 11/16" FBHSCS	Economy
75-3404	25	4	M6 x 10mm BHSCS	Economy
75-3600	30	4	M6 x 12mm BHSCS	Drop-In
75-3422	40	4	M8 x 16mm BHSCS	Economy
75-3619	45	4	M8 x 18mm BHSCS	Drop-In

