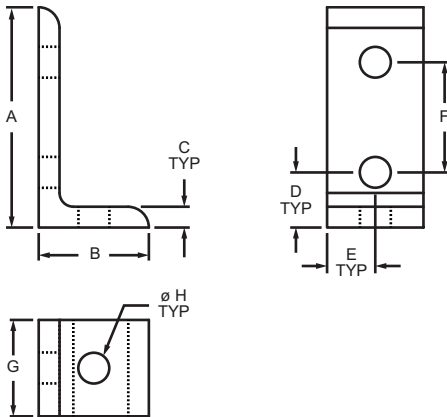


3 Hole - Inside Corner Bracket

Part Description:

The 3 hole - inside corner bracket is an external fastening method that creates a 90 degree connection. There are two stacked holes on one side and one hole on the opposite side of the bracket. This fastener requires no machining services and can provide infinite positioning along the profile T-slot, allowing a large degree of adjustability. It is a fastening method that can be repositioned and reused.

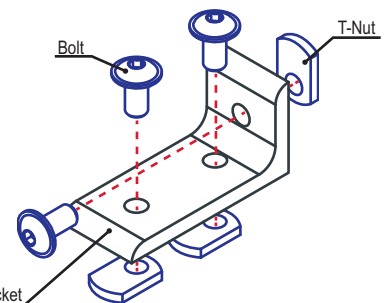


Part No.	Series	Material	Alloy*	Finish	A	B	C	D	E	F	G	H	Weight	
4176	10	Aluminum	6105-T5	Clear Anodize	2.000"	1.000"	.188"	.500"	.438"	1.000"	.875"	.281"	.039 lb	
4176-Black	10			Black Anodize	2.000"	1.000"	.188"	.500"	.438"	1.000"	.875"	.875"	.281"	.039 lb
4376	15			Clear Anodize	3.000"	1.500"	.250"	.750"	.655"	1.500"	1.310"	.328"	.126 lb	
4376-Black	15			Black Anodize	3.000"	1.500"	.250"	.750"	.655"	1.500"	1.310"	.328"	.126 lb	
20-4176	20			Clear Anodize	40.00mm	18.00mm	3.00mm	10.00mm	9.00mm	20.00mm	18.00mm	5.56mm	.0076 kg	
20-4176-Black	20			Black Anodize	40.00mm	18.00mm	3.00mm	10.00mm	9.00mm	20.00mm	18.00mm	5.56mm	.0076 kg	
25-4176	25			Clear Anodize	50.00mm	25.00mm	4.00mm	12.50mm	11.00mm	25.00mm	22.00mm	6.80mm	.0150 kg	
25-4176-Black	25			Black Anodize	50.00mm	25.00mm	4.00mm	12.50mm	11.00mm	25.00mm	22.00mm	6.80mm	.0150 kg	
30-4376	30			Clear Anodize	60.00mm	30.00mm	4.00mm	15.00mm	13.50mm	30.00mm	27.00mm	6.81mm	.0236 kg	
30-4376-Black	30			Black Anodize	60.00mm	30.00mm	4.00mm	15.00mm	13.50mm	30.00mm	27.00mm	6.81mm	.0236 kg	
40-4376	40			Clear Anodize	80.00mm	40.00mm	6.00mm	20.00mm	18.00mm	40.00mm	36.00mm	8.30mm	.0617 kg	
40-4376-Black	40			Black Anodize	80.00mm	40.00mm	6.00mm	20.00mm	18.00mm	40.00mm	36.00mm	8.30mm	.0617 kg	
45-4376	45			Clear Anodize	90.00mm	45.00mm	6.00mm	22.50mm	21.00mm	45.00mm	42.00mm	8.33mm	.0841 kg	
45-4376-Black	45			Black Anodize	90.00mm	45.00mm	6.00mm	22.50mm	21.00mm	45.00mm	42.00mm	8.33mm	.0841 kg	

* Or comparable

Suggested Hardware (Mount to T-Slot)

Series	Part No.	Qty.	Bolt	Part No.	Qty.	T-Nut
10	3061	3	1/4-20 x 1/2" BHSCS	3382	3	Economy
15	3330	3	5/16-18 x 11/16" FBHSCS	3278	3	Economy
20	11-5308	3	M5 x 8mm BHSCS	14122	3	Economy
25	13-6310	3	M6 x 10mm BHSCS	3859	3	Economy
30	11-6312	3	M6 x 12mm BHSCS	13117	3	Drop-in
40	13-8316	3	M8 x 16mm BHSCS	3838	3	Economy
45	11-8318	3	M8 x 18mm BHSCS	13132	3	Drop-in



3 Hole - Inside Corner Bracket