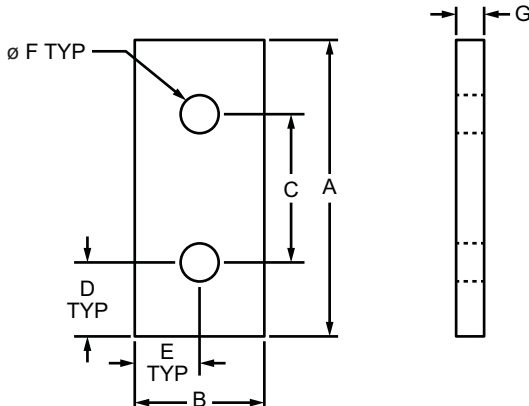


Part Description:

The 2 hole - straight flat plate is an external fastening method that requires no machining services. It is a durable connection that can be easily repositioned and reused. This flat plate can provide infinite positioning along the profile T-slot, allowing for a large degree of adjustability. It engages the 2-degree drop-lock feature for most profile series when the assembly bolts are tightened to the required torque, creating a strong connection. **Tip:** Pre-load your hardware prior to connecting profiles to simplify your assembly and save time.



Part No.	Series	Material	Alloy*	Finish	A	B	C	D	E	F	G	Weight
4107	10	Aluminum	6105-T5	Clear Anodize	2.000"	.875"	1.000"	.500"	.438"	.257"	.188"	.029 lb
4107-Black	10			Black Anodize	2.000"	.875"	1.000"	.500"	.438"	.257"	.188"	.029 lb
4307	15			Clear Anodize	3.000"	1.490"	1.500"	.750"	.745"	.328"	.250"	.103 lb
4307-Black	15			Black Anodize	3.000"	1.490"	1.500"	.750"	.745"	.328"	.250"	.103 lb
20-4107	20			Clear Anodize	40.00mm	18.00mm	20.00mm	10.00mm	9.00mm	5.56mm	4.00mm	.0072 kg
20-4107-Black	20			Black Anodize	40.00mm	18.00mm	20.00mm	10.00mm	9.00mm	5.56mm	4.00mm	.0072 kg
25-4107	25			Clear Anodize	50.00mm	22.00mm	25.00mm	12.50mm	11.00mm	6.30mm	4.00mm	.0109 kg
25-4107-Black	25			Black Anodize	50.00mm	22.00mm	25.00mm	12.50mm	11.00mm	6.30mm	4.00mm	.0109 kg
30-4307	30			Clear Anodize	60.00mm	27.00mm	30.00mm	15.00mm	13.50mm	6.30mm	4.00mm	.0163 kg
30-4307-Black	30			Black Anodize	60.00mm	27.00mm	30.00mm	15.00mm	13.50mm	6.30mm	4.00mm	.0163 kg
40-4307	40			Clear Anodize	80.00mm	39.80mm	40.00mm	20.00mm	19.90mm	8.30mm	6.00mm	.0490 kg
40-4307-Black	40			Black Anodize	80.00mm	39.80mm	40.00mm	20.00mm	19.90mm	8.30mm	6.00mm	.0490 kg
45-4307	45			Clear Anodize	90.00mm	42.00mm	45.00mm	22.50mm	21.00mm	8.30mm	6.00mm	.0576 kg
45-4307-Black	45			Black Anodize	90.00mm	42.00mm	45.00mm	22.50mm	21.00mm	8.30mm	6.00mm	.0576 kg

* Or comparable

Suggested Hardware (Mount to T-Slot)

Part No.	Series	Qty.	Bolt	T-Nut
3321	10	2	1/4-20 x 1/2" FBHSCS	Economy
3320	15	2	5/16-18 x 11/16" FBHSCS	Economy
75-3656	20	2	M5 x 10mm BHSCS	Economy
75-3404	25	2	M6 x 10mm BHSCS	Economy
75-3600	30	2	M6 x 12mm BHSCS	Drop-in
75-3422	40	2	M8 x 16mm BHSCS	Economy
75-3619	45	2	M8 x 18mm BHSCS	Drop-in

