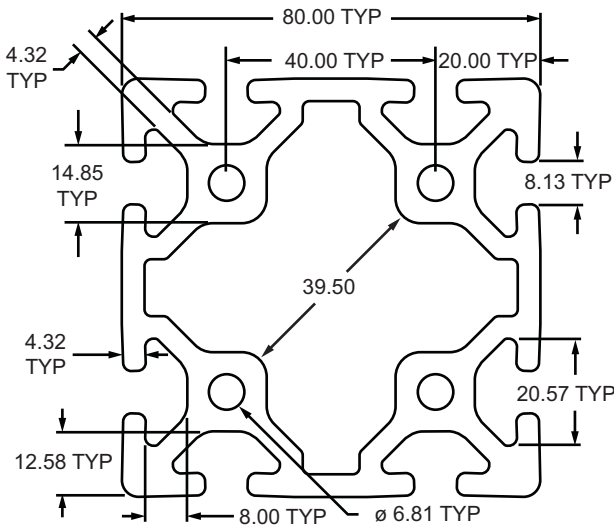


40-8080 Profile

40-8080 is a 80mm x 80mm metric 40 series square T-slot profile with eight open T-slots, two on each 80mm face. The profile is smooth, which makes it resistant to dirt and debris buildup while also being easy to clean. The 40-8080 profile is compatible with 40 series fasteners and has a center cavity that can be pressurized up to 1.034 N/mm² (150 psi). The eight open T-slots, strength, and ability to pressurize this profile make it a great choice for automation applications, machine frames and workstations.



Part No.	Series	Stock Length	Material	Alloy**	Finish	Drop Lock	Moment of Inertia	Surface Area	Yield Strength	Modulus of Elasticity	Weight
40-8080 *		4 or 6 Meter	Aluminum	6105-T5	Clear Anodize	2°	IX = 171.6341 cm ⁴ IY = 171.6341 cm ⁴	23.573 cm ²	241.1 N / mm ²	70,326.5 N / mm ²	6.3762 kg / m
40-8080-Black *	40	4 Meter			Black Anodize						
40-8080-Black-FB		per millimeter			Black Anodize						

* The above profiles are sold per millimeter or stock length.

** Or comparable

Standard Machining Services

Service No.	Series	Service Description	Reference Page
40-7030	40	Cut to Length	859
40-7050	40	Access Hole	863
40-7044	40	Anchor Counterbore	865
40-7056	40	Tap Profile End	862