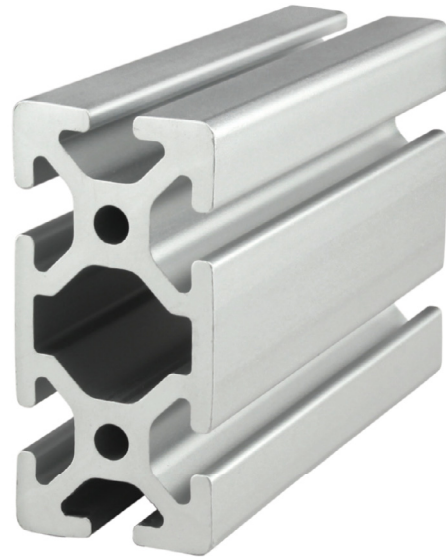
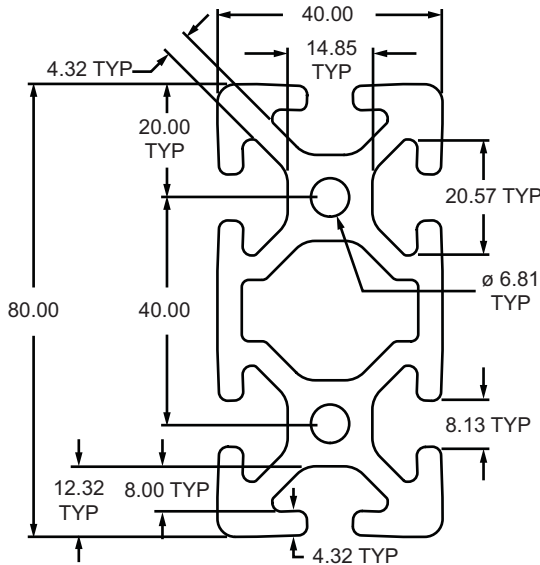


40-4080 Profile

40-4080 is a 40mm x 80mm metric 40 series rectangular T-slot profile with six open T-slots, two on each 80mm face and one on each 40mm face. The profile is smooth, which makes it resistant to dirt and debris buildup while also being easy to clean. The 40-4080 profile is compatible with 40 series fasteners. It is the heavy-duty profile in the 40-4080 profile family and the center cavity of the profile can be pressurized up to 1.034 N/mm² (150 psi), lending itself to work spaces, machine guards, displays and panel mount racks.



Part No.	Series	Stock Length	Material	Alloy**	Finish	Drop Lock	Moment of Inertia	Surface Area	Yield Strength	Modulus of Elasticity	Weight
40-4080 *	40	4 or 6 Meter	Aluminum	6105-T5	Clear Anodize	2°	IX = 97.6617 cm ⁴ IY = 25.2917 cm ⁴	15.332 cm ²	241.1 N / mm ²	70,326.5 N / mm ²	4.1464 kg / m
40-4080-Black *		4 Meter			Black Anodize						
40-4080-Black-FB		per millimeter			Black Anodize						

* The above profiles are sold per millimeter or stock length.

** Or comparable

Standard Machining Services

Service No.	Series	Service Description	Reference Page
40-7020	40	Cut to Length	859
40-7050	40	Access Hole	863
40-7044	40	Anchor Counterbore	865
40-7048	40	Tap Profile End	862