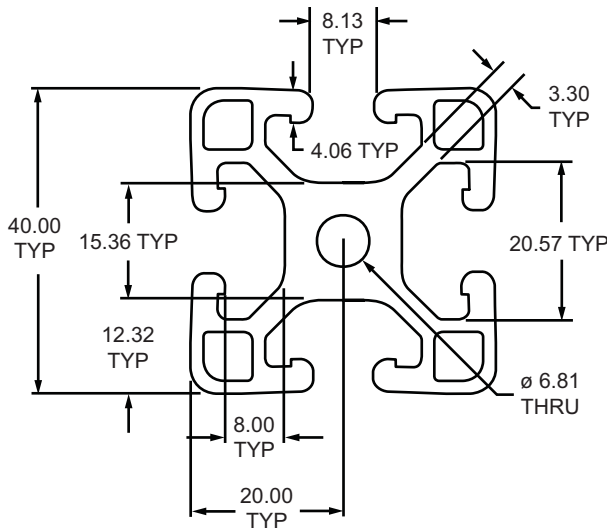


80/20[®] Inc. 40mm X 40mm Lite T-Slotted Profile - Four Open T-Slots

40-4040-Lite Profile

40-4040-Lite is a 40mm x 40mm lite metric 40 series square T-slot profile with four open T-slots, one on each 40mm face. The profile is smooth, which makes it resistant to dirt and debris buildup while also being easy to clean. The 40-4040-Lite profile is compatible with all 40 series fasteners. This profile lends itself to machine guards, enclosures, work benches, or displays. The four open T-slots enable access from any direction and are useful for mounting accessories.



Part No.	Series	Stock Length	Material	Alloy**	Finish	Drop Lock	Moment of Inertia	Surface Area	Yield Strength	Modulus of Elasticity	Weight
40-4040-Lite *		4 or 6 Meter	Aluminum	6105-T5	Clear Anodize	2°	IX = 9.3983 cm ⁴ IY = 9.3983 cm ⁴	6.608 cm ²	241.1 N / mm ²	70,326.5 N / mm ²	1.7860 kg / m
40-4040-Lite-Black *	40	4 Meter			Black Anodize						
40-4040-Lite-Black-FB		per millimeter			Black Anodize						

* The above profiles are sold per millimeter or stock length.

** Or comparable

Standard Machining Services

Service No.	Series	Service Description	Reference Page
40-7010	40	Cut to Length	859
40-7050	40	Access Hole	863
40-7044	40	Anchor Counterbore	865
40-7059	40	Tap Profile End	862