



CUSTOM SOLUTIONS

80/20[®]

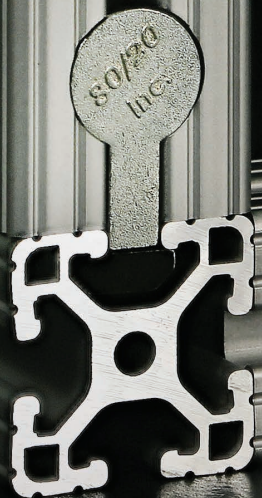
ALUMINUM FRAMING SYSTEMS

PROFILES • FASTENERS • PANELS • CASTERS • LINEAR BEARINGS • ACCESSORIES • TOOLS

A MODULAR SOLUTION

WHAT IS 80/20?

Good question! 80/20 is a T-slot aluminum building system that consists of a wide variety of profiles (or extrusions), fasteners, and panels, as well as accompanying add-on components and accessories. It's easy to assemble and provides a large degree of flexibility. Even more than a product, 80/20 turns yesterday's challenges into today's solutions.



Guarding



Automation



Material Handling

CUSTOM SOLUTIONS =
CUTTING COSTS

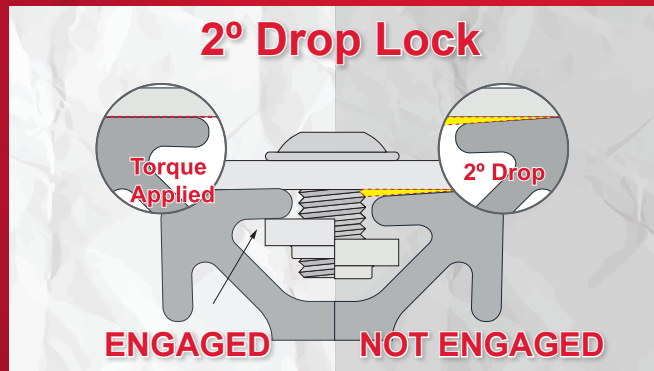
T-slot aluminum profiles offer several benefits. The 80/20 profile system allows you to create custom, modular solutions, meaning it's tailored to your needs and easily expanded, scaled back, or reassembled as your requirements evolve. It eliminates the time and money invested in modifying someone else's design or prefabricated product. You get exactly what works for you and your processes.

- Improved Productivity
- Lower Costs
- Leaner Processes
- Improved Bottom Line
- Expanded Creativity
- Increased Efficiency
- Greater Flexibility
- Much More

Reduce Your Cost of Ownership

80/20 products make it straightforward for you to build your custom solutions. You choose the products that best fit your circumstances; with over 120 profile shapes, ranging from light to heavy-duty, you'll be prepared to respond fast to evolving circumstances.

Add your motors, safety devices and components anywhere along the T-slot channel and reposition them, as needed. Another bonus – you can join profiles and components even when the ends are captivated, reducing maintenance and assembly time. T-slot profiles are easy to line up and connect. If your measurement needs adjusted, simply loosen a fastener and revise. 80/20 products provide a long-lasting solution designed for today and tomorrow.



www.8020.net

ALUMINUM IS THE ANSWER

The technical aspects of the aluminum alloy are compelling. It's a strong, lightweight material with a high strength-to-weight ratio. This translates into a resilient product that is easily machined and resistant to oxidization, or rust. Use it indoors and out! It'll hold up to repetitive wear and tear and the elements. It's a finished product that's aesthetic and doesn't require treatments or paint, unlike most alternatives.

80/20 MODULARITY

The T-slot profile design allows for infinite positioning of fasteners and accessories.



**COSTS LESS
THAN STEEL**



**NOT
MAGNETIC**



**CORROSION
RESISTANT**



**WEIGHS LESS
THAN STEEL**



**STRENGTH
SIMILAR TO STEEL**

INDUSTRIES

AERONAUTICS

ARCHITECTURE

ARTS & ENTERTAINMENT

AUTOMATION

AUTOMOTIVE

HEALTHCARE

MANUFACTURING

MOLDING & PLASTICS

PNEUMATICS

RESEARCH & DEVELOPMENT

RETAIL

ROBOTICS

UNIVERSITIES

80/20 IN ACTION

Where You Can Find 80/20?

Everywhere! Once you've been introduced to 80/20 T-slot profiles and products, you'll start noticing that you see it all the time. Some of our most recognized industries include Industrial Manufacturing, Robotics, Automation, and solutions for the DIY Home-Hobbyist.

But this is just a sampling – we hit about any industry you can think of. Research & Development, Exhibits & Displays, Material Handling, Food & Beverage, or Energy? We're there. And the list goes on! 80/20 is the modular choice for your custom project.

What Can You Create

Anything! Each build is unique. From industrial applications such as machine frames and guarding solutions, to artistic display cases and furniture pieces, 80/20 does it all.



SOLUTIONS

MOBILE WORKSTATIONS

MACHINE SAFETY GUARDS

LABORATORY ENCLOSURES

HYDRAULIC LIFTS

ROBOTIC ARMS

DISPLAYS

CONVEYING SYSTEMS

MODULAR WORK CELLS

FLOW RACKS

PICK AND PLACE SYSTEMS

CLEAN ROOM ENCLOSURES

EXHIBIT BOOTHS

OFFICE FURNITURE

3

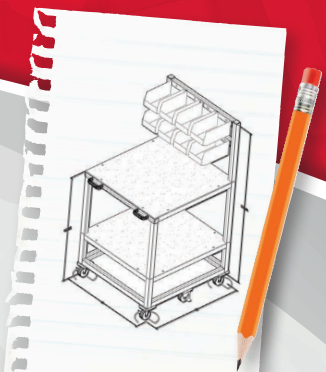
GET STARTED IN EASY STEPS

Your dedicated local distributor is available to guide you through any portion of your project, from conception - through design - to completion.

Whether you need a machine guard, material handling rack, jig, tradeshow display, linear motion or pressurized tools...and everything in between...80/20 can help make it a reality. We have an abundance of ideas and assistance to help you hone in on your requirements. In addition to your distributor, you have access to literature, photo galleries, videos and more for inspiration and examples.

**FREE
DESIGN
ASSISTANCE**

When you need help taking your project beyond a sketch, get started with 80/20's free design assistance.



1

START WITH A **Concept**

Sketch up an idea and bring it together with 80/20.



2

GET YOUR **Design**

Customize to specific needs with 80/20's vast product offering.



3

FOLLOW IT THROUGH TO **Completion**

Assemble it yourself or have 80/20 Builds Service do it for you.



CALL YOUR 80/20 SPECIALIST TODAY!

Design with Your Distributor

Your local 80/20 specialist will visit your location to understand your specific situation, constraints, and opportunities, and begin the design phase. You'll find that distributors have "80/20 eyes." They can see places and procedures where 80/20 products and services will help speed up cycle times, cut your costs, and create synergies.

Your distributor is also available for recommendations on integrating 80/20 with your current equipment and resources. 80/20 partners with distributors focused on a robust line card able to serve a diverse industry base and accommodate your total-project requirements.

Start Building Your Solution!

Now for the really fun part – start building! Assemble the 80/20 system with simple hand tools. You don't need skilled labor or welding equipment to get your project completed. [Keep in mind, we do have a service that will construct your solution for you, if you're tight on time. Flip the page to learn more about 80/20 Builds].



**IMPROVE
OUTPUT
UP TO 20%**

CUSTOM PACKAGING

- Kitting
- Bar-Coding
- Part-Tagging
- Individual Bags
- Bubble Wrapping



1 HOUR
80/20
BUILDER

4 HOURS
YOUR TIME

Preloading • Sub-Assembly • Full Assembly

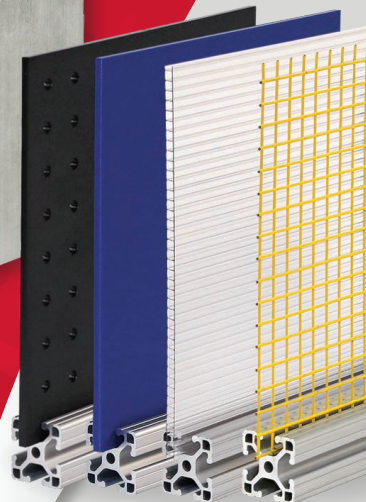
80/20 BUILDS

The 80/20 Builds service helps you increase your productivity. On average, we can assemble your project in about a quarter of the time it takes most businesses. We have a team of dedicated and experienced technicians that optimize designs, build projects, and ship them safely and damage-free. Our tools and resources ensure precise assembly to your exact specifications.

CUSTOM MACHINING

You also have access to our in-house Custom Machine shop. This service means we can be your one-stop-shop for T-slot systems as well as custom parts to complete your entire project. Our precision shop makes adjustments or changes to any part in our catalog, saving you the headache and cost of outsourcing these services. And if it's not in our catalog, we'll source it for you.

Request a Quote Today!

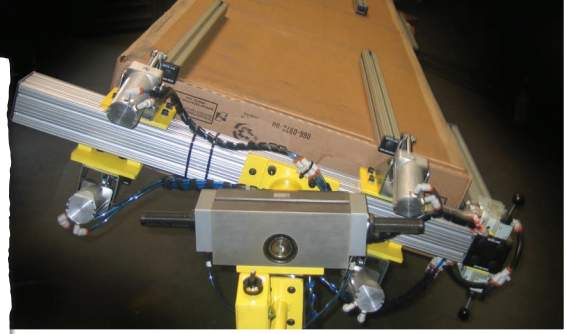


PANEL SHOP

Over 100 Types of Plastic Panels, Aluminum Plates, and Wire Mesh all Machined In-House

YOUR **ONE STOP** SHOP

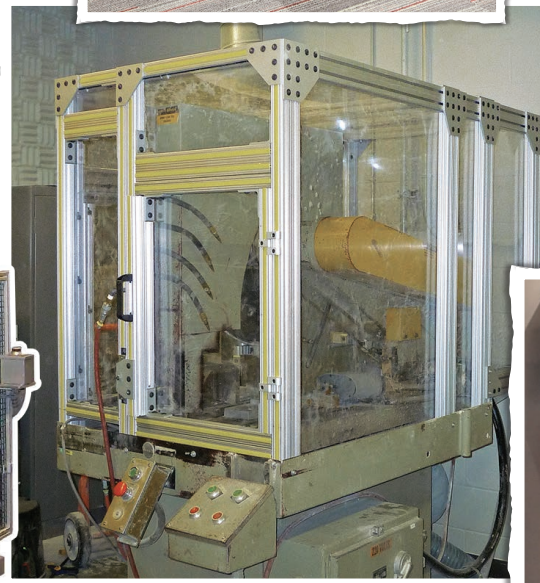
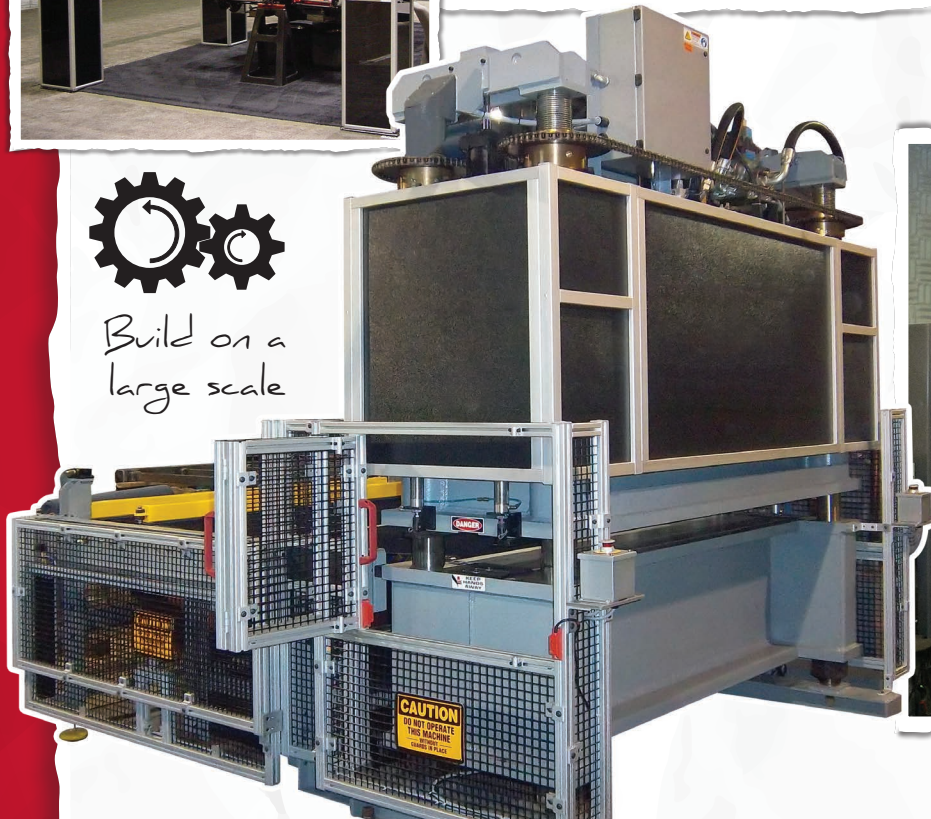




CUSTOMIZED SOLUTIONS



Build on a large scale



Designed for organization and quick access



80/20

*Request
your demo!*



Request Your On-Site Demonstration at 8020.net/requests



Ready to Try It Out?

Request a demo van visit and your local 80/20 distributor will come right to your door so that you can see and interact with profiles and accessories. The van transports a gurney with samples of aluminum profiles, fasteners, panels, and more so that you can start creating your custom solution.

GET HANDS-ON

80/20[®] Inc.

The *Industrial Erector Set*

1701 S 400 E, Columbia City, IN 46725
(260) 244-0810

8020.net

8020B918



©2018 80/20[®] Inc., all rights reserved