

NEW PRODUCT



Micro-Mist Separator (0.01µ)

FABCO-AIR, Inc. • 3716 N.E. 49th Avenue • Gainesville, FL 32609 • Tel (352) 373-3578 • www.fabco-air.com

Consult Catalog No. FRL-06 for Filter-Regulator-Lubricator products and product application precautions.

How to Order

Series FA; Size 2, 3, 4

FA4 - MM 4P A

Port Size NPT: _____
 1P=1/8; 2P=1/4; 3P=3/8; 4P=1/2; 5P=3/4

Drain (requires 15 psi min): _____
 A = Auto drain, float type
 M = Manual/Pressure differential drain
 (Manual drain also opens as inlet pressure is reduced to less than 5 psi.)

Description:
MM = Mist Separator
Filter rating: 0.01µ

Polycarbonate bowls are standard for all models.

Plastic bowl guards are standard for all models.

Mist Separator Pricing - Effective 1/15/10

Port NPT	Model No. Manual drain [‡]	Price	Model No. Auto drain	Price
1/8	FA2-MM1PM	\$37.55	FA2-MM1PA	\$45.90
1/4	FA2-MM2PM	37.55	FA2-MM2PA	45.90
1/4	FA3-MM2PM	47.85	FA3-MM2PA	66.90
3/8	FA3-MM3PM	47.85	FA3-MM3PA	66.90
1/2	FA4-MM4PM	54.60	FA4-MM4PA	75.70
3/4	FA4-MM5PM	54.60	FA4-MM5PA	75.70

Standard Interface



Size	Part No.	Price
2	NS2	\$3.10
3	NS3	4.45
4	NS4	5.05

Mounting Bracket

Screws included



Size	Part No.	Price
2	MBFL2	\$5.35
3	MBFL3	5.35
4	MBFL4	5.35



Mounting Bracket "MBL" Type

Size	Part No.	Price
2	MBL2	\$5.85
3	MBL3	7.20
4	MBL4	11.25

Mounting Bracket "MBT" Type



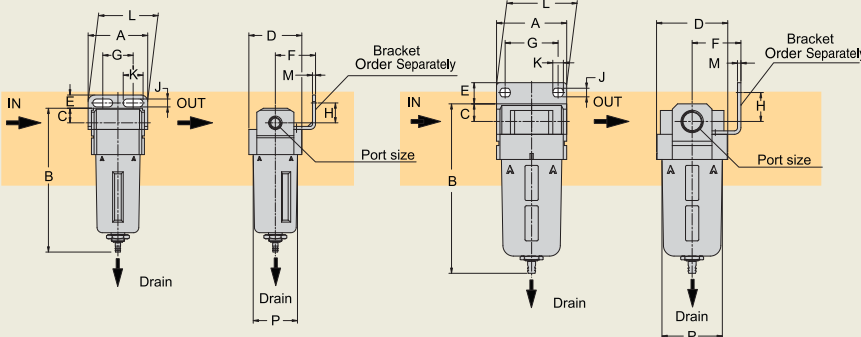
Part No.	Price
MBT2	\$9.35
MBT3	9.35
MBT4	12.35

[‡] Manual drain also opens as inlet pressure is reduced to less than 5 psi.

External Dimensions – inch (mm)

Size FA2

Sizes FA3 & 4



Specifications

Series / Model Size	FA2	FA3	FA4
Port size NPT	1/8, 1/4	1/4, 3/8	1/2, 3/4
Operating media	Air		
Max. operating pressure:	145 psi (1.0 MPa) (10 bar)		
Max. flow rate*	4.2(120)	8.4(240)	21(600)
Temperature range	-5° to 52°C (23° to 125°F)		
Filtration	0.01µ		
Bowl material	Polycarbonate		
Bowl Capacity cc	8	20	45
Weight lb.(Kg)	0.2(0.1)	0.5(0.2)	0.9(0.4)

* Flow SCFM (Lpm) @ 102 psi (0.7 MPa)(7bar) inlet pressure.

B Dimension

Body Size	Port Size	B Dimension		C	D	E	F	G	H	J	K	L	M	P	
		Manual Drain	Auto Drain Float type												
FA2	1/8, 1/4	1.6(40)	4.3(110)	4.2(108)	0.4(11)	1.6(40)	0.7(17)	1.2(30)	1.0(26)	0.9(22)	0.21(5.4)	0.53(13.4)	1.8(45)	0.09(2.3)	1.3(34)
FA3	1/4, 3/8	2.1(53)	5.1(130)	5.4(138)	0.6(14)	2.1(53)	0.6(16)	1.6(41)	1.3(34)	0.9(23)	0.26(6.5)	0.49(12.5)	2.1(53)	0.09(2.3)	1.8(46)
FA4	1/2, 3/4	2.8(70)	7.2(184)	7.2(184)	0.7(18)	2.8(70)	0.7(17)	2.0(50)	1.7(42)	1.0(26)	0.33(8.5)	0.81(20.5)	2.8(70)	0.09(2.3)	2.4(62)